

Specification sheet

DAF XG+ Electric FTG (6X2)

FTG 6X2 Tractor, Electric



ENGINES

- XG+ Electirc 270e EX-D2 (270 kW)
- XG+ Electirc 310e EX-D2 (310kW)
- XG+ Electirc 350e EX-D2 (350 kW)

GVM¹⁾

27000 kg

Max. front 8000 kg

Max. rear 19600 kg

GCM²⁾

46000 kg

991G0360GBAA - 202621F - 28-01-2026

DAF Trucks N.V., The Netherlands, www.daf.com

CAB EXTERIOR

Luxurious cab for XG+ series, with unrivalled aerodynamics for fuel efficient driving and low CO2 emissions. The huge and deep frontscreen, curved at the sides, and the large side windows offer an unsurpassed direct view for the driver, to enhance road safety. The cab interior is extremely comfortable for driving, living and sleeping with unprecedented spaciousness and practical layout. Cab length: 2690 mm; cab width: 2500 mm. Number of cab entrance steps: 3.; Cab suspension air; LED head, cornering and fog lights; Front view mirror.

Optional

02941 Chassis front execution: bottom plate	01891 Hazard beacons on cab front, prepared
03358 External sun visor	06629 Two hazard beacon lights
06790 Aluminium ladder 1-piece	03232 Front windscreen with solar control foil
06791 Aluminium ladder 2-piece	01550 No front view mirror
01015 LED Skylights; aux. LED lights on cab rf, prepared	01362 DAF Digital Vision System
01925 Two LED work lamps for cab rear wall	01913 DAF Corner View

AERODYNAMICS

Optional

01583 Adj. roof air deflector; over 4 m (l) for XG+ cab	04906 Side collars, one side hinged
00052 Adjustable roof air deflector for XG+ cab	03074 Side collars, both sides hinged

COLOURS

Cab colour E1980 Crystal White; Chassis colour grey.; Colour of bumper: Crystal White.

CAB INTERIOR

Cab interior trim colour: Exclusive; Dashboard finish: Plateau; Cab interior decoration: Argenta; Driver seat: Luxury Air; Arm rest at both sides of the driver seat; Co-driver seat: cinema + table; fabric cover; Dashboard table; Storage compartment with drawer in centre; Upper bunk; Automatic Cab Climate Control; Auxiliary cab heater (water); Roof hatch, electric control.

Optional

02043 Dashboard finish: Vision	04069 Two refrigerators
02350 Cab interior decoration: Natura	02854 Xtra Comfort mattress for lower bunk
07736 Driver seat: Super Air	02858 Xtra Comfort mattress for adjustable lower bunk
07737 Driver seat: Xtra Leather Air	01775 Xtra Comfort mattress with topper for lower bunk
02241 Driver seat, swivel base	02380 Mattress for DAF Relax Bed
04050 Refrigerator and drawer	04150 Mattress with topper for DAF Relax Bed

COMMUNICATION AND DRIVING MANAGEMENT

PACCAR Connect; Tachograph digital, Stoneridge version G2V2A; Speed limiter setting 85/90 km/h; Adaptive Cruise Control with FCW and AEBS-3; Driver Performance Assistant.

Optional

09681 Preparation for Maut	06991 Predictive Cruise Control
04553 Infotainment incl. DAF Truck Nav. and tablet prep.	06992 Predictive Cruise Control lite

SAFETY AND SECURITY

DAF drowsiness & distraction detection; Lane Departure Warning System; Vehicle Stability Control (VSC); Basic engine immobiliser system.

Optional

08631 Air bag (driver) and 2 seat belt tensioners	01952 No DAF Side/Turn Assist
02569 No Driver State Monitoring	

SUSPENSION AND AXLES

Front: 8.00 t, air suspension, 161N; Steered leading axle.; Rear axle load 12.10 t; Rear: 19.60 t, air suspension, SR1344; Lifting device.

Optional

04588 Rear axle SR1347	08191 Axle load monitoring
-------------------------------	-----------------------------------

WHEELS AND TYRES

Driven rear axle(s): 315/70R22.5; F1,315/70R22.5GO EQMSU 158/150 L Steering ABA 3P; R1,315/70R22.5GO EQMDU 154/150 L Traction ABB 3P.

Optional

16152 Tyre makes and types

DRIVELINE

No engine.; Battery Electric Vehicle; Rear axle ratio 2.21; ASR.

Optional

02843 Mechanical differential lock

BRAKE SYSTEM

Optional

04901 Spring brake cylinders on the first front axle

CHASSIS

Wheelbase 4.15 m / rear overhang 0.99 m; Side member height 260 mm; Standard component location; Front underrun protection (FUP); Catwalk with step; Rear mudguards; Spray suppression; Work lamp LED.

Optional

16157 Fuel tanks, material and sizes	03322 Rear light with bulbs
---	------------------------------------

DRAWBAR AND TRAILER EQUIPMENT

JOST JSK42 cast iron 150+40mm; Pneumatic trailer connection palm type; Electric connection 24 V / 2x7 pins.

Optional

04359 Lead-up ramps	16151 5th wheel makes and heights
----------------------------	--

BODIES AND PREPARATIONS FOR BODYING

Optional

02811 Tail lift connection Anderson	02812 Tail lift connection REMA
--	--

24V POWER SUPPLY

Batteries 2x 210 Ah AGM..

Optional

06440 Batteries 2x230Ah

GVM AND GCM

Chassis weight related technical GVM max 27000 kg; Driveline related max GCM 46000 kg.

SERVICE AND MAINTENANCE

Standard Warranty takes care of 1 year complete vehicle as supplied by the OEM (excl. real wear parts), 2nd year driveline and 1st year breakdown.; ITS service.

VEHICLE DELIVERY

Minimum toolkit.

Optional

07569 Lifting jack

OPTION PACKAGES

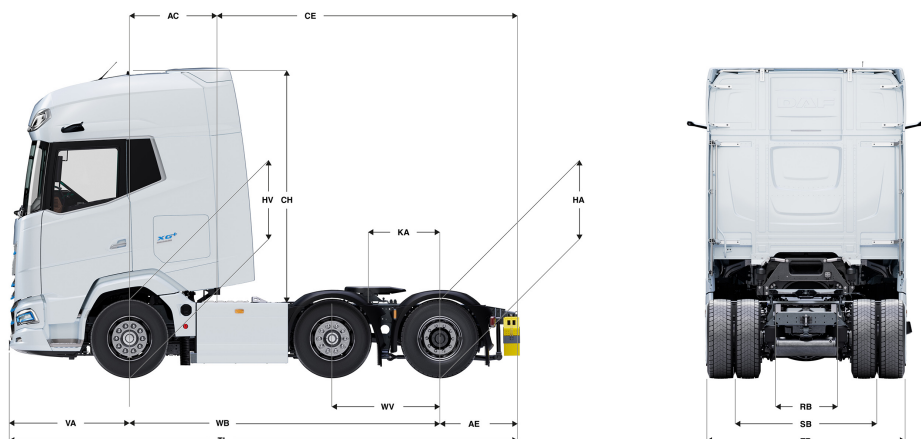
Optional

17448 Safety pack

17596 Executive Pack XG/XG+

XG+

FTG 6X2 Tractor, Electric



XG+ CAB	Wheelbase - AE		Unladen weight ¹⁾			Gross Carrying Capacity			Variable dimensions								
	WB	AE ⁵⁾	Front	Rear	Total	Front	Rear	Total	AC	CE	CH ⁶⁾	KA ⁷⁾	TL	HA ⁸⁾	HA ⁹⁾	TK ¹⁰⁾	TW ¹¹⁾
	4,15	0,99	6295	4168	10463	1705	15432	16537	1,16	3,98	2,94	0,77	6,67	0,97	0,94	14,40	15,80

OTHER DIMENSIONS VA: 1,53 WV: 1,32 HV¹²⁾: 0,94 HV¹³⁾: 0,93 RB: 0,79 SB: 1,82 TB¹⁴⁾: 2,48

1) GVM in conformity with registration documents.
 2) GCM in conformity with registration documents.
 3) Axle load with standard tyre size.
 4) Chassis and cab weight calculated with: Standard specification items only with 0 litres of fuel, 0 litres of AdBlue® and driver of 0 kg, tolerance ± 3%. Changing of the specification can have major impact on vehicle weight.
 5) Other AE dimensions may be available for shown WB.
 6) Cab height is measured from frame member to closed cabin roof hatch.
 7) Calculate customer specific KA with TOPEC.

8) Unladen height at centre of driven axle(s).
 9) Laden height at centre of driven axle(s).
 10) TK = turning circle between kerbs.
 11) TW = turning circle between walls.
 12) Unladen height at centre of front axle(s).
 13) Laden height at centre of front axle(s).
 14) TB is overall width at rear. (At centre of front axle 255).

Depending on the vehicle configuration a specific option may not be possible. The availability and specification of this vehicle may differ per country. For further information please contact the DAF organisation. Pictures and technical illustrations are not binding in detail and can differ from the standard specification. Subject to modification without prior notice.