

Specification sheet

XG Electric FT (4x2)

FT 4X2 Tractor, Electric



ENGINES

XG 270e EX-D2 (270kW)
XG 310e EX-D2 310kW)
XG 350e EX-D2 (350kW)

GVM¹⁾

20500 kg

Max. front 7500 kg

Max. rear 13000 kg

GCM²⁾

46000 kg

CAB EXTERIOR

Luxurious cab for XG series, with unrivalled aerodynamics for fuel efficient driving and low CO2 emissions. The huge and deep frontscreen, curved at the sides combined with large side windows offer an unsurpassed direct view for the driver, to enhance road safety. The cab interior is extremely comfortable for driving, living and sleeping with unprecedented spaciousness and practical layout. Cab length: 2690 mm; cab width: 2500 mm. Number of cab entrance steps: 3.; Cab suspension mechanical; LED head lights; Front view mirror.

Optional

02889 Chassis front execution: no bottom plate	01925 Two LED work lamps for cab rear wall
02952 Chassis front execution: bottom plate aero	01891 Hazard beacons on cab front, prepared
03358 External sun visor	06629 Two hazard beacon lights
06790 Aluminium ladder 1-piece	03232 Front windscreen with solar control foil
06791 Aluminium ladder 2-piece	
03922 Fog lights front	01550 No front view mirror
00949 LED Skylights; aux. LED lights on cab rf, prepared	01362 DAF Digital Vision System
	01913 DAF Corner View

AERODYNAMICS

Optional

01567 Adj. roof air deflector; over 4 m (!) for XG cab	03074 Side collars, both sides hinged
00069 Adjustable roof air deflector for XG cab	03419 Side collars, extended. One side hinged
04906 Side collars, one side hinged	03076 Side collars, extended. Both sides hinged

COLOURS

Cab colour E1980 Crystal White; Chassis colour grey.; Colour of bumper: Crystal White.

CAB INTERIOR

Cab interior trim colour: Exclusive; Dashboard finish: Plateau; Cab interior decoration: Hexagon; Driver seat: Comfort Air; Arm rest driver seat; Co-driver seat: cinema with fabric cover; Dashboard table; Storage compartment in centre; Luggage carrier; Automatic Temperature Control and airc; Auxiliary cab heater (water); No roof hatch.

Optional

02355 Steering wheel, leather	04069 Two refrigerators
02043 Dashboard finish: Vision	02854 Xtra Comfort mattress for lower bunk
02353 Cab interior decoration: Argenta	02841 Foam mattress for adjustable lower bunk
02350 Cab interior decoration: Natura	01775 Xtra Comfort mattress with topper for lower bunk
07733 Driver seat: Luxury Air	02858 Xtra Comfort mattress for adjustable lower bunk
07736 Driver seat: Super Air	02860 Xtra Comfort mattress + topper for adj. lower bunk
07737 Driver seat: Xtra Leather Air	02380 Mattress for DAF Relax Bed
02241 Driver seat, swivel base	04150 Mattress with topper for DAF Relax Bed
06469 Storage compartment with drawer in centre	01066 Upper bunk
04070 Two drawers	06970 Automatic Cab Climate Control
04050 Refrigerator and drawer	

COMMUNICATION AND DRIVING MANAGEMENT

PACCAR Connect; Tachograph digital, Stoneridge version G2V2A; Speed limiter setting 85/90 km/h; Adaptive Cruise Control with FCW and AEBS-3; Driver Performance Assistant.

Optional

09681 Preparation for Maut	06991 Predictive Cruise Control
04553 Infotainment incl. DAF Truck Nav. and tablet prep.	06992 Predictive Cruise Control lite
03684 Infotainment including DAF Truck Navigation	

SAFETY AND SECURITY

DAF drowsiness & distraction detection; Lane Departure Warning System; Vehicle Stability Control (VSC); Basic engine immobiliser system.

Optional

08631 Air bag (driver) and 2 seat belt tensioners	01952 No DAF Side/Turn Assist
02569 No Driver State Monitoring	

SUSPENSION AND AXLES

Front: 8.00 t, parabolic, 163N; Rear axle load 13.00 t; Rear: air suspension, SR1344; No lifting device.

Optional

06257 Front axle load 9.00 t	08191 Axle load monitoring
04647 Front springs air	

WHEELS AND TYRES

Driven rear axle(s): 315/70R22.5; F1,295/80R22.5GO FMAXS2 154/149 M Steering BCA; R1,315/70R22.5GO EQMD 154/150 L Traction BBB 3P.

Optional

16152 Tyre makes and types

DRIVELINE

No engine.; Battery Electric Vehicle; Rear axle ratio 2.21; ASR.

Optional

02843 Mechanical differential lock

BRAKE SYSTEM

Optional

04901 Spring brake cylinders on the first front axle

CHASSIS

Wheelbase 3.90 m / rear overhang 0.99 m; Side member height 260 mm; Standard component location; Front underrun protection (FUP); Catwalk with step; Rear mudguards; Spray suppression; Work lamp LED.

Optional

16157 Fuel tanks, material and sizes	03323 Rear light with LEDs
---	-----------------------------------

DRAWBAR AND TRAILER EQUIPMENT

JOST JSK42 cast iron 150+40mm; Pneumatic trailer connection palm type; Electric connection 24 V / 2x7 pins.

Optional

03178 Towing hook D= 4.3 **16151** 5th wheel makes and heights
04359 Lead-up ramps

BODIES AND PREPARATIONS FOR BODYING

Optional

02811 Tail lift connection Anderson **02812** Tail lift connection REMA

24V POWER SUPPLY

Batteries 2x 210 Ah AGM..

Optional

06440 Batteries 2x230Ah

GVM AND GCM

Chassis weight related technical GVM max 20500 kg; Driveline related max GCM 46000 kg.

APPLICATION CONDITIONS

Optional

02260 Extra cab insulation

SERVICE AND MAINTENANCE

Standard Warranty takes care of 1 year complete vehicle as supplied by the OEM (excl. real wear parts), 2nd year driveline and 1st year breakdown.; ITS service.

VEHICLE DELIVERY

Minimum toolkit.

Optional

07569 Lifting jack

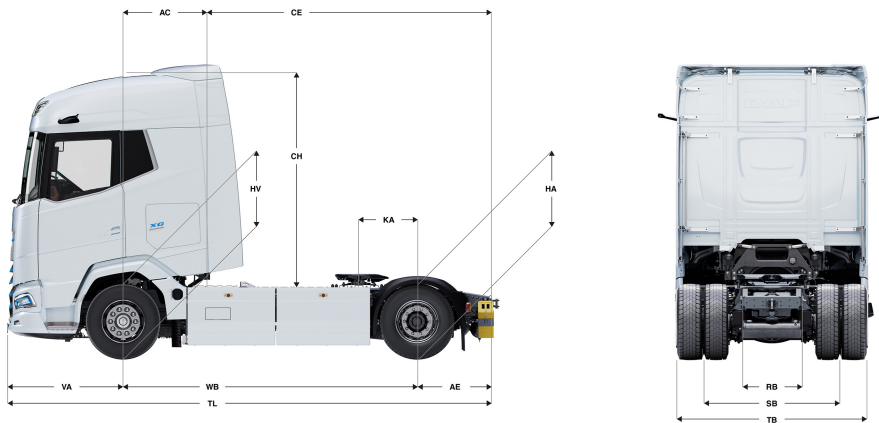
OPTION PACKAGES

Optional

17448 Safety pack **17596** Executive Pack XG/XG+

XG

FT 4X2 Tractor, Electric



XG CAB	Wheelbase - AE		Unladen weight ¹⁾			Gross Carrying Capacity			Variable dimensions								
	WB	AE ⁵⁾	Front	Rear	Total	Front	Rear	Total	AC	CE	CH ⁶⁾	KA ⁷⁾	TL	HA ⁸⁾	HA ⁹⁾	TK ¹⁰⁾	TW ¹¹⁾
	3,90	0,99	6457	3591	10048	1043	9409	10452	1,16	3,73	2,83	0,52	6,42	0,97	0,94	13,76	15,15

OTHER DIMENSIONS	VA: 1,53	HV ¹²⁾ : 0,96	HV ¹³⁾ : 0,90	RB: 0,79	SB: 1,82	TB ¹⁴⁾ : 2,48
------------------	----------	--------------------------	--------------------------	----------	----------	--------------------------

1) GVM in conformity with registration documents.
 2) GCM in conformity with registration documents.
 3) Axle load with standard tyre size.
 4) Chassis and cab weight calculated with: Standard specification items only with 0 litres of fuel, 0 litres of AdBlue® and driver of 0 kg, tolerance ± 3%. Changing of the specification can have major impact on vehicle weight.
 5) Other AE dimensions may be available for shown WB.
 6) Cab height is measured from frame member to closed cabin roof hatch.
 7) Calculate customer specific KA with TOPEC.

8) Unladen height at centre of driven axle(s).
 9) Laden height at centre of driven axle(s).
 10) TK = turning circle between kerbs.
 11) TW = turning circle between walls.
 12) Unladen height at centre of front axle(s).
 13) Laden height at centre of front axle(s).
 14) TB is overall width at rear. (At centre of front axle 255).

Depending on the vehicle configuration a specific option may not be possible. The availability and specification of this vehicle may differ per country. For further information please contact the DAF organisation. Pictures and technical illustrations are not binding in detail and can differ from the standard specification. Subject to modification without prior notice.