

Specification sheet

# XG+ Electric FAN (6x2)

FAN 6X2 Rigid, Electric



## ENGINES

XG+ 270e EX-D2 (270kW)

XG+ 310e EX-D2 (310kW)

XG+ 350e EX-D2 (350kW)

## GVM<sup>1)</sup>

27000 kg

Max. front 8000 kg

Max. rear 20300 kg

## GCM<sup>2)</sup>

46000 kg

## CAB EXTERIOR

Luxurious cab for XG+ series, with unrivalled aerodynamics for fuel efficient driving and low CO2 emissions. The huge and deep frontscreen, curved at the sides, and the large side windows offer an unsurpassed direct view for the driver, to enhance road safety. The cab interior is extremely comfortable for driving, living and sleeping with unprecedented spaciousness and practical layout. Cab length: 2690 mm; cab width: 2500 mm. Number of cab entrance steps: 3.; Cab suspension air; LED head, cornering and fog lights; Front view mirror.

### Optional

- |   |   |
|---|---|
| <b>02941</b> Chassis front execution: bottom plate              | <b>06629</b> Two hazard beacon lights                 |
| <b>02889</b> Chassis front execution: no bottom plate           | <b>03232</b> Front windscreen with solar control foil |
| <b>03358</b> External sun visor                                 | <b>01550</b> No front view mirror                     |
| <b>01015</b> LED Skylights; aux. LED lights on cab rf, prepared | <b>01362</b> DAF Digital Vision System                |
| <b>01925</b> Two LED work lamps for cab rear wall               | <b>01913</b> DAF Corner View                          |
| <b>01891</b> Hazard beacons on cab front, prepared              |   |

## AERODYNAMICS

### Optional

- |  |  |
|--|--|
| <b>01581</b> Adj. roof air deflector; over 4 m (l) for XG+ cab | <b>04906</b> Side collars, one side hinged   |
| <b>00027</b> Adjustable roof air deflector for XG+ cab         | <b>03074</b> Side collars, both sides hinged |

## COLOURS

Cab colour E1980 Crystal White; Chassis colour grey.; Colour of bumper: Crystal White.

## CAB INTERIOR

Cab interior trim colour: Exclusive; Dashboard finish: Plateau; Cab interior decoration: Argenta; Driver seat: Luxury Air; Arm rest at both sides of the driver seat; Co-driver seat: cinema + table; fabric cover; Dashboard table; Storage compartment with drawer in centre; Upper bunk; Automatic Cab Climate Control; Auxiliary cab heater (water); Roof hatch, electric control.

### Optional

- |  |   |
|--|---|
| <b>02043</b> Dashboard finish: Vision        | <b>04069</b> Two refrigerators                                |
| <b>02350</b> Cab interior decoration: Natura | <b>02854</b> Xtra Comfort mattress for lower bunk             |
| <b>07736</b> Driver seat: Super Air          | <b>02858</b> Xtra Comfort mattress for adjustable lower bunk  |
| <b>07737</b> Driver seat: Xtra Leather Air   | <b>01775</b> Xtra Comfort mattress with topper for lower bunk |
| <b>02241</b> Driver seat, swivel base        | <b>02380</b> Mattress for DAF Relax Bed                       |
| <b>04050</b> Refrigerator and drawer         | <b>04150</b> Mattress with topper for DAF Relax Bed           |

## COMMUNICATION AND DRIVING MANAGEMENT

PACCAR Connect; Tachograph digital, Stoneridge version G2V2A; Speed limiter setting 85/90 km/h; Adaptive Cruise Control with FCW and AEBS-3; Driver Performance Assistant.

### Optional

- |   |   |
|---|---|
| <b>09681</b> Preparation for Maut                               | <b>06991</b> Predictive Cruise Control      |
| <b>04553</b> Infotainment incl. DAF Truck Nav. and tablet prep. | <b>06992</b> Predictive Cruise Control lite |

## SAFETY AND SECURITY

DAF drowsiness & distraction detection; Lane Departure Warning System; Vehicle Stability Control (VSC); Basic engine immobiliser system.

### Optional

- |  |  |
|--|--|
| <b>08631</b> Air bag (driver) and 2 seat air suspension, SR1344; | <b>01952</b> No DAF Side/Turn Assist belt tensioners |
| <b>02569</b> No Driver State Monitoring                          |  |

## SUSPENSION AND AXLES

Front: 8.00 t, parabolic, 163N; Rear axle load 13.00 t; Rear: 20.00 t, air suspension, SR1344; Trailing axle load 8.0t; Lifting device.

### Optional

- |                                      |                                   |
|--------------------------------------|-----------------------------------|
| <b>06257</b> Front axle load 9.00 t  | <b>04588</b> Rear axle SR1347     |
| <b>06095</b> Front axle load 10.00 t | <b>08191</b> Axle load monitoring |
| <b>04647</b> Front springs air       |                                   |

## WHEELS AND TYRES

Driven rear axle(s): 315/70R22.5; F1,315/70R22.5GO EQMSU 158/150 L Steering ABA 3P; R1,315/70R22.5GO EQMDU 154/150 L Traction ABB 3P; R2,315/70R22.5GO EQMSU 158/150 L Steering ABA 3P.

### Optional

- |                                   |
|-----------------------------------|
| <b>16152</b> Tyre makes and types |
|-----------------------------------|

## DRIVELINE

No engine.; Battery Electric Vehicle; Rear axle ratio 2.38.

### Optional

- |   |
|---|
| <b>02843</b> Mechanical differential lock |
|---|

## BRAKE SYSTEM

### Optional

- |   |
|---|
| <b>04901</b> Spring brake cylinders on the first front axle |
|---|

## CHASSIS

Wheelbase 5.05 m / rear overhang 2.90 m; Side member height 260 mm; Standard component location; Front underrun protection (FUP); Spray suppression.

### Optional

- |   |                                    |
|---|------------------------------------|
| <b>02601</b> Side member height 310 mm      | <b>03322</b> Rear light with bulbs |
| <b>16157</b> Fuel tanks, material and sizes |                                    |

## DRAWBAR AND TRAILER EQUIPMENT

D-value cross member D=13.7; Pneumatic trailer connection palm type; Electric connection 24 V / 2x7 pins.

### Optional

- |  |                                  |                           |
|--|----------------------------------|---------------------------|
| <b>07034</b> Trailer coupling Ringfeder D=20.0 B | <b>08908</b> No towing equipment | <b>06534</b> No EBS cable |
| <b>08026</b> Trailer coupling Rockinger D=13.0 B |                                  |                           |
| <b>08027</b> Trailer coupling Rockinger D=20.0 B |                                  |                           |

## BODIES AND PREPARATIONS FOR BODYING

Application connector chassis.

### Optional

- 09421** Additional spare wiring      **08121** Tail lift application  
**09201** Chassis preparation for BDF

## 24V POWER SUPPLY

Batteries 2x 210 Ah AGM..

### Optional

- 06440** Batteries 2x230Ah

## GVM AND GCM

Chassis weight related technical GVM max 27000 kg; Driveline related max GCM 46000 kg.

## SERVICE AND MAINTENANCE

Standard Warranty takes care of 1 year complete vehicle as supplied by the OEM (excl. real wear parts), 2nd year driveline and 1st year breakdown.; ITS service.

## VEHICLE DELIVERY

Minimum toolkit.

### Optional

- 07569** Lifting jack

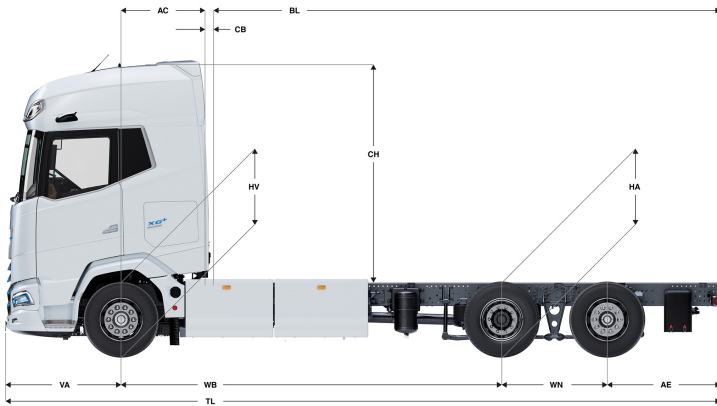
## OPTION PACKAGES

### Optional

- 17448** Safety pack      **17596** Executive Pack XG/XG+

# XG+

## FAN 6X2 Rigid, Electric



	Wheelbase - AE		Unladen weight <sup>1)</sup>			Gross Carrying Capacity			Variable dimensions									
	WB	AE <sup>5)</sup>	Front	Rear	Total	Front	Rear	Total	AC	CB <sup>6)</sup>	CH <sup>7)</sup>	BL <sup>8)</sup>	BL	TL	HA <sup>9)</sup>	HA <sup>10)</sup>	TK <sup>11)</sup>	TW <sup>12)</sup>
XG+ CAB	4,60	2,55	6928	4574	11502	1072	15726	15498	1,16	0,07	2,94	7,14	8,46	10,08	0,97	0,94	15,57	16,99
	4,80	2,70	6986	4548	11534	1014	15752	15466	1,16	0,07	2,94	7,55	8,92	10,43	0,97	0,94	16,09	17,52
	5,05	2,90	7071	4534	11605	929	15766	15395	1,16	0,07	2,94	8,08	9,51	10,88	0,97	0,94	16,74	18,18
	5,30	3,15	7117	4502	11619	883	15798	15381	1,16	0,07	2,94	8,58	10,08	11,38	0,97	0,94	17,39	18,84
	5,60	3,15	7258	4560	11818	742	15740	15182	1,16	0,07	2,89	9,25	10,86	11,68	1,02	1,00	18,18	19,63
	6,10	2,90	7421	4471	11893	579	15829	15107	1,16	0,07	2,89	10,34	12,08	11,93	1,02	1,00	19,49	20,96

OTHER DIMENSIONS VA: 1,53 WN: 1,40 HV<sup>13)</sup>: 0,92 HV<sup>14)</sup>: 0,89 RB: 0,79 SB: 1,82 TB<sup>15)</sup>: 2,48

- GVM in conformity with registration documents.
- GCM in conformity with registration documents.
- Axle load with standard tyre size.
- Chassis and cab weight calculated with: Standard specification items only with 0 litres of fuel, 0 litres of AdBlue® and driver of 0 kg, tolerance ± 3%. Changing of the specification can have major impact on vehicle weight.
- Other AE dimensions may be available for shown WB. Modify rear overhang to the calculated body length.
- CB is based on standard air intake and/or exhaust.
- Cab height is measured from frame member to closed cabin roof hatch.

- Calculate customer specific body length with TOPEC. Body lengths shown based on evenly distributed load at max axle load.
- Unladen height at centre of driven axle (trailing axle down).
- Laden height at centre of driven axle(s).
- TK = turning circle between kerbs.
- TW = turning circle between walls.
- Unladen height at centre of front axle(s).
- Laden height at centre of front axle(s).
- TB is overall width at rear. (At centre of front axle 255).

Depending on the vehicle configuration a specific option may not be possible. The availability and specification of this vehicle may differ per country. For further information please contact the DAF organisation. Pictures and technical illustrations are not binding in detail and can differ from the standard specification. Subject to modification without prior notice.