

# Specification sheet

## XD 220

FA 4X2 Rigid, Electric



### ENGINES

XD BEVNewGen rnal (mbusti / No hp listing)

XD BEVNewGen 170 rnal (mbusti / No hp listing)

XD BEVNewGen 220 rnal (mbusti / No hp listing)

XD BEVNewGen 270 rnal (mbusti / No hp listing)

XD BEVNewGen 310 rnal (mbusti / No hp listing)

### GVM<sup>1)</sup>

19500 kg

Max. front 8000 kg

Max. rear 11500 kg

### GCM<sup>2)</sup>

21500 kg

## CAB EXTERIOR

Luxurious Day Cab with unrivalled aerodynamics for fuel efficient driving and low CO2 emissions. The huge and deep frontscreen, curved at the sides combined with large side windows offer an unsurpassed direct view for the driver, to enhance road safety. Cab length: 2030 mm; cab width: 2500 mm.; Cab suspension mechanical; LED head lights; No DAF Digital Vision System; DAF Corner View; Rear view camera.

### Optional

|   |  |
|---|--|
| <b>07018</b> Sleeper Cab                                | <b>01925</b> Two LED work lamps for cab rear wall      |
| <b>06244</b> Sleeper High Cab                           | <b>01891</b> Hazard beacons on cab front, prepared     |
| <b>02889</b> Chassis front execution: no bottom plate   | <b>06629</b> Two hazard beacon lights                  |
| <b>02952</b> Chassis front execution: bottom plate aero | <b>07201</b> Skylights                                 |
| <b>07586</b> Chassis front execution: robust            | <b>03232</b> Front windscreen with solar control foil  |
| <b>01226</b> Cab suspension air                         | <b>03317</b> Rear window: double glass                 |
| <b>04355</b> Air horns, prepared                        | <b>07343</b> Kerb view window co-driver door           |
| <b>00847</b> Air horns, single set                      | <b>01886</b> Laminated glass with solar control foil   |
| <b>09006</b> Air horns, double set                      | <b>01354</b> No main mirrors                           |
| <b>00330</b> LED head and fog lights                    | <b>01362</b> DAF Digital Vision System                 |
| <b>00346</b> LED head and cornering lights              | <b>01912</b> No DAF Corner View                        |
| <b>00354</b> LED head, cornering and fog lights         | <b>03151</b> Rear view camera with prep for 2nd camera |
| <b>02591</b> High Beam Assist                           |  |

## AERODYNAMICS

No roof air deflector; No roof air deflector; No side collars.

### Optional

|   |   |
|---|---|
| <b>02482</b> Adj. rf air defl. long mid for XD Sleeper High Cab | <b>01805</b> Adj. roof air defl. short for Sleeper High Cab |
| <b>07332</b> Adj. roof air deflector for Day Cab                | <b>04906</b> Side collars, one side hinged                  |
| <b>07340</b> Adj. roof air deflector for Sleeper Cab            | <b>03074</b> Side collars, both sides hinged                |
| <b>01818</b> Adj. roof air deflector long low Sleeper High Cab  | <b>16150</b> No roof air deflectors, types and settings     |

## COLOURS

Cab colour E1980 Crystal White; Lower cab step Stone Grey; Chassis colour grey.; Colour of bumper: Crystal White.

### Optional

|   |  |
|---|--|
| <b>07481</b> Lower cab step Brilliant White | <b>03003</b> Colour of bumper: grey            |
| <b>04868</b> Lower cab step Crystal White   | <b>02989</b> Colour of bumper: Brilliant White |
| <b>07480</b> Lower cab step in cab colour   | <b>02990</b> Colour of bumper: cab colour      |
| <b>16159</b> No cab and chassis colours     |  |

## CAB INTERIOR

Steering wheel, black; Cab interior trim colour: Luxury; Cab interior decoration: Hexagon; Driver seat: Comfort Air; Co-driver seat: cinema with fabric cover; No dashboard table; Automatic Temperature Control and airco; Park air conditioning, integrated.

### Optional

|  |   |
|--|---|
| <b>02354</b> Steering wheel with silver accents              | <b>03848</b> Co-driver seat: cinema with leather cover        |
| <b>02355</b> Steering wheel, leather                         | <b>07746</b> Co-driver seat: Super Air                        |
| <b>02353</b> Cab interior decoration: Argenta                | <b>03862</b> Co-driver seat: cinema + table; leather cover    |
| <b>02350</b> Cab interior decoration: Natura                 | <b>07748</b> Co-driver seat: Xtra Leather Air                 |
| <b>07733</b> Driver seat: Luxury Air                         | <b>02117</b> Third seat                                       |
| <b>07736</b> Driver seat: Super Air                          | <b>02837</b> Dashboard table                                  |
| <b>07737</b> Driver seat: Xtra Leather Air                   | <b>03948</b> Single drawer                                    |
| <b>03461</b> Co-driver seat: cinema + table; fabric cover    | <b>03954</b> Refrigerator                                     |
| <b>07741</b> Co-driver seat: Comfort Air                     | <b>02838</b> Foam mattress for lower bunk                     |
| <b>03781</b> Co-driver seat: cinema with alcantara cover     | <b>02854</b> Xtra Comfort mattress for lower bunk             |
| <b>07743</b> Co-driver seat: Luxury Air                      | <b>01775</b> Xtra Comfort mattress with topper for lower bunk |
| <b>03849</b> Co-driver seat: cinema + table; alcantara cover | <b>04258</b> Roof hatch, electric control                     |

## COMMUNICATION AND DRIVING MANAGEMENT

PACCAR Connect; Tachograph digital, Stoneridge version G2V2A; Speed limiter setting 85/90 km/h; Infotainment basic; Adaptive Cruise Control with FCW and AEBS-3; No Predictive Cruise Control.

### Optional

|   |  |
|---|--|
| <b>07706</b> No PACCAR Connect                                  | <b>03684</b> Infotainment including DAF Truck Navigation |
| <b>07020</b> PACCAR Connect with navigation                     | <b>01219</b> Speakers: Exclusive                         |
| <b>07021</b> PACCAR Connect with navigation and tablet software | <b>06991</b> Predictive Cruise Control                   |
| <b>02089</b> No Connect Software                                | <b>06992</b> Predictive Cruise Control lite              |
| <b>03470</b> Infotainment incl. DAF Truck Nav. and tablet prep. |  |

## SAFETY AND SECURITY

Speed limit recognition; DAF drowsiness detection; Lane Departure Warning System; Drive-off Assist; DAF Side & Turn Assist.

### Optional

|  |   |
|--|---|
| <b>08631</b> Air bag (driver) and 2 seat belt tensioners | <b>03628</b> DAF drowsiness & distraction detection |
|--|---|

## SUSPENSION AND AXLES

Front: 8.00 t, parabolic, 163N; Front springs parabolic; Rear axle SR1344; Rear springs air; Rear axle load 13.00 t; Rear: air suspension, SR1344; No lifting device.

### Optional

|   |  |
|---|--|
| <b>04813</b> Front: 8.00 t, parabolic, 165N | <b>07114</b> Front: 10.00 t, parabolic, 203L     |
| <b>02509</b> Front: 8.00 t, parabolic, 167N | <b>02460</b> Front: 8.00 t, air suspension, 161N |
| <b>02426</b> Front: 9.00 t, parabolic, 183N | <b>04647</b> Front springs air                   |
| <b>00300</b> Front: 9.00 t, parabolic, 187N | <b>08191</b> Axle load monitoring                |

## WHEELS AND TYRES

Front axle(s): 315/70R22.5; Driven rear axle(s): 315/70R22.5; Goodyear; Tyre pressure monitoring.

## Optional

16152 Tyre makes and types

## DRIVELINE

; 220 kW; 150 kW DC charging; Rear axle ratio 2.05; No differential lock.

### Optional

|       |                           |       |                                |
|-------|---------------------------|-------|--------------------------------|
| 01656 | Electric motor type EX-D2 | 01749 | Charging: 150 kW DC + 22 kW AC |
| 01664 | 170 kW                    | 01756 | 325 kW DC charging             |
| 01686 | 270 kW                    | 03677 | Charging: 325 kW DC + 22 kW AC |
| 01691 | 310 kW                    | 02843 | Mechanical differential lock   |
| 01692 | 350 kW                    |       |                                |

## BRAKE SYSTEM

Park brake control electro-pneumatic; No brake resistor; Park brake electro-pneumatic; Driven rear axle with disc brakes.

### Optional

|       |  |       |                   |
|-------|--|-------|-------------------|
| 04901 | Spring brake cylinders on the first front axle | 03969 | Park brake assist |
| 01857 | Brake resistor                                 |       |                   |

## CHASSIS

Wheelbase 4.30 m / rear overhang 1.80 m; Side member 260/7.0 mm, full length reinforcement; Side member height 260 mm; No HV battery pack at position L1; HV battery pack at position L2; No HV battery pack at position L3; No HV battery pack at position R1; HV battery pack at position R2; No HV battery pack at position R3.

### Optional

|       |                           |       |                                |
|-------|---------------------------|-------|--------------------------------|
| 02601 | Side member height 310 mm | 01701 | 5 HV battery packs             |
| 01696 | 2 HV battery packs        | 16157 | Fuel tanks, material and sizes |
| 01699 | 4 HV battery packs        |       |                                |

## DRAWBAR AND TRAILER EQUIPMENT

Closing member D-value = 0kN.

## BODIES AND PREPARATIONS FOR BODYING

### Optional

|       |                         |       |   |
|-------|-------------------------|-------|---|
| 09421 | Additional spare wiring | 09240 | Application connector for refuse coll. (EN1501-1) |
|-------|-------------------------|-------|---|

## POWER TAKE-OFF (PTO)

### Optional

|       |                              |       |                              |
|-------|------------------------------|-------|------------------------------|
| 01809 | E-PTO socket 650V DC < 25 kW | 07853 | ePTO control at ignition OFF |
| 04320 | E-PTO socket 650V DC < 90 kW | 07852 | ePTO control at ignition ON  |

## 24V POWER SUPPLY

Batteries 2x 175 Ah..

## GVM AND GCM

Chassis weight related technical GVM max 20500 kg; Driveline related max GCM 21500 kg.

### Optional

|       |                                    |       |  |
|-------|------------------------------------|-------|--|
| 01933 | Driveline related max GCM 42000 kg | 02200 | Driveline related max GCM 46000 kg class 2 |
| 01937 | Driveline related max GCM 46000 kg | 03675 | Driveline related max GCM 50000 kg class 3 |

## APPLICATION CONDITIONS

Regular cab insulation.

### Optional

02260 Extra cab insulation

## SERVICE AND MAINTENANCE

Standard Warranty takes care of 1 year complete vehicle as supplied by the OEM (excl. real wear parts), 2nd year driveline and 1st year breakdown.; ITS service.

## VEHICLE DELIVERY

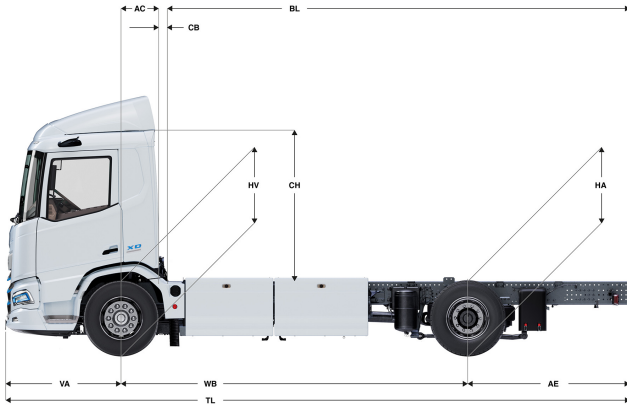
### Optional

|       |                  |       |                        |
|-------|------------------|-------|------------------------|
| 02008 | No toolkit       | 06491 | Toolkit Eastern Europe |
| 02019 | Standard toolkit |       |                        |

Go to [DAF.com](https://www.daf.com) to configure your own perfect DAF.

# XD 220

## FA 4X2 Rigid, Electric



|                  | Wheelbase - AE |                  | Unladen weight <sup>9)</sup> |      |       | Gross Carrying Capacity |      |       | Variable dimensions |                  |                  |                  |      |       |                  |                   |                   |                   |
|------------------|----------------|------------------|------------------------------|------|-------|-------------------------|------|-------|---------------------|------------------|------------------|------------------|------|-------|------------------|-------------------|-------------------|-------------------|
|                  | WB             | AE <sup>5)</sup> | Front                        | Rear | Total | Front                   | Rear | Total | AC                  | CB <sup>6)</sup> | CH <sup>7)</sup> | BL <sup>8)</sup> | BL   | TL    | HA <sup>9)</sup> | HA <sup>10)</sup> | TK <sup>11)</sup> | TW <sup>12)</sup> |
| DAY CAB          | 3,90           | 1,30             | 5460                         | 3240 | 8699  | 2540                    | 8260 | 10801 | 0,50                | 0,07             | 2,06             | 4,99             | 5,31 | 6,73  | 0,97             | 0,94              | 13,76             | 15,14             |
|                  | 4,30           | 1,80             | 5609                         | 3202 | 8811  | 2391                    | 8298 | 10689 | 0,50                | 0,07             | 2,06             | 5,70             | 6,07 | 7,63  | 0,97             | 0,94              | 14,79             | 16,20             |
|                  | 4,50           | 1,95             | 5697                         | 3189 | 8886  | 2303                    | 8311 | 10614 | 0,50                | 0,07             | 2,06             | 6,09             | 6,46 | 7,98  | 0,97             | 0,94              | 15,31             | 16,73             |
|                  | 4,70           | 2,05             | 5755                         | 3150 | 8905  | 2245                    | 8350 | 10595 | 0,50                | 0,07             | 2,06             | 6,45             | 6,84 | 8,28  | 0,97             | 0,94              | 15,83             | 17,26             |
|                  | 4,90           | 2,35             | 5809                         | 3147 | 8956  | 2191                    | 8353 | 10544 | 0,50                | 0,07             | 2,06             | 6,81             | 7,22 | 8,78  | 0,97             | 0,94              | 16,35             | 17,78             |
|                  | 5,10           | 2,75             | 5847                         | 3155 | 9002  | 2153                    | 8345 | 10498 | 0,50                | 0,07             | 2,06             | 7,16             | 7,59 | 9,38  | 0,97             | 0,94              | 16,87             | 18,31             |
|                  | 5,40           | 2,65             | 5931                         | 3092 | 9022  | 2069                    | 8408 | 10478 | 0,50                | 0,07             | 2,06             | 7,73             | 8,18 | 9,58  | 0,97             | 0,94              | 17,66             | 19,11             |
|                  | 5,70           | 2,65             | 6029                         | 3082 | 9111  | 1971                    | 8418 | 10389 | 0,50                | 0,07             | 2,06             | 8,30             | 8,78 | 9,88  | 0,97             | 0,94              | 18,44             | 19,90             |
|                  | 6,10           | 2,80             | 6113                         | 3054 | 9168  | 1887                    | 8446 | 10332 | 0,50                | 0,07             | 2,06             | 9,04             | 9,56 | 10,43 | 0,97             | 0,94              | 19,49             | 20,96             |
| SLEEPER CAB      | 3,90           | 1,30             | 5578                         | 3233 | 8810  | 2422                    | 8267 | 10690 | 0,83                | 0,07             | 2,06             | 4,39             | 4,71 | 6,73  | 0,97             | 0,94              | 13,76             | 15,14             |
|                  | 4,30           | 1,80             | 5727                         | 3196 | 8923  | 2273                    | 8304 | 10577 | 0,83                | 0,07             | 2,06             | 5,11             | 5,48 | 7,63  | 0,97             | 0,94              | 14,79             | 16,20             |
|                  | 4,50           | 1,95             | 5814                         | 3183 | 8998  | 2186                    | 8317 | 10502 | 0,83                | 0,07             | 2,06             | 5,50             | 5,88 | 7,98  | 0,97             | 0,94              | 15,31             | 16,73             |
|                  | 4,70           | 2,05             | 5872                         | 3144 | 9016  | 2128                    | 8356 | 10484 | 0,83                | 0,07             | 2,06             | 5,87             | 6,27 | 8,28  | 0,97             | 0,94              | 15,83             | 17,26             |
|                  | 4,90           | 2,35             | 5926                         | 3142 | 9068  | 2074                    | 8358 | 10432 | 0,83                | 0,07             | 2,06             | 6,23             | 6,65 | 8,78  | 0,97             | 0,94              | 16,35             | 17,78             |
|                  | 5,10           | 2,75             | 5964                         | 3150 | 9114  | 2036                    | 8350 | 10386 | 0,83                | 0,07             | 2,06             | 6,58             | 7,01 | 9,38  | 0,97             | 0,94              | 16,87             | 18,31             |
|                  | 5,40           | 2,65             | 6047                         | 3087 | 9133  | 1953                    | 8413 | 10367 | 0,83                | 0,07             | 2,06             | 7,16             | 7,62 | 9,58  | 0,97             | 0,94              | 17,66             | 19,11             |
|                  | 5,70           | 2,65             | 6144                         | 3078 | 9222  | 1856                    | 8422 | 10278 | 0,83                | 0,07             | 2,06             | 7,73             | 8,22 | 9,88  | 0,97             | 0,94              | 18,44             | 19,90             |
|                  | 6,10           | 2,80             | 6229                         | 3050 | 9279  | 1771                    | 8450 | 10221 | 0,83                | 0,07             | 2,06             | 8,49             | 9,02 | 10,43 | 0,97             | 0,94              | 19,49             | 20,96             |
| SLEEPER HIGH CAB | 3,90           | 1,30             | 5609                         | 3232 | 8841  | 2391                    | 8268 | 10659 | 0,83                | 0,07             | 2,54             | 4,41             | 4,73 | 6,73  | 0,97             | 0,94              | 13,76             | 15,14             |
|                  | 4,30           | 1,80             | 5757                         | 3195 | 8953  | 2243                    | 8305 | 10547 | 0,83                | 0,07             | 2,54             | 5,13             | 5,50 | 7,63  | 0,97             | 0,94              | 14,79             | 16,20             |
|                  | 4,50           | 1,95             | 5845                         | 3183 | 9028  | 2155                    | 8317 | 10472 | 0,83                | 0,07             | 2,54             | 5,51             | 5,90 | 7,98  | 0,97             | 0,94              | 15,31             | 16,73             |
|                  | 4,70           | 2,05             | 5902                         | 3144 | 9046  | 2098                    | 8356 | 10454 | 0,83                | 0,07             | 2,54             | 5,88             | 6,28 | 8,28  | 0,97             | 0,94              | 15,83             | 17,26             |
|                  | 4,90           | 2,35             | 5957                         | 3141 | 9098  | 2043                    | 8359 | 10402 | 0,83                | 0,07             | 2,54             | 6,25             | 6,66 | 8,78  | 0,97             | 0,94              | 16,35             | 17,78             |
|                  | 5,10           | 2,75             | 5994                         | 3149 | 9144  | 2006                    | 8351 | 10356 | 0,83                | 0,07             | 2,54             | 6,61             | 7,04 | 9,38  | 0,97             | 0,94              | 16,87             | 18,31             |
|                  | 5,40           | 2,65             | 6077                         | 3086 | 9163  | 1923                    | 8414 | 10337 | 0,83                | 0,07             | 2,54             | 7,17             | 7,64 | 9,58  | 0,97             | 0,94              | 17,66             | 19,11             |
|                  | 5,70           | 2,65             | 6175                         | 3077 | 9252  | 1825                    | 8423 | 10248 | 0,83                | 0,07             | 2,54             | 7,76             | 8,25 | 9,88  | 0,97             | 0,94              | 18,44             | 19,90             |
|                  | 6,10           | 2,80             | 6259                         | 3050 | 9309  | 1741                    | 8450 | 10191 | 0,83                | 0,07             | 2,54             | 8,50             | 9,03 | 10,43 | 0,97             | 0,94              | 19,49             | 20,96             |

OTHER DIMENSIONS VA: 1,53 HV<sup>13)</sup>: 0,95 HV<sup>14)</sup>: 0,89 RB: 0,79 SB: 1,82 TB<sup>15)</sup>: 2,48

- 1) GVM in conformity with registration documents.
- 2) GCM in conformity with registration documents.
- 3) Axle load with standard tyre size.
- 4) Chassis and cab weight calculated with: Standard specification items only with driver of (0) kg, tolerance ± 3%. Changing of the specification can have major impact on vehicle weight
- 5) Other AE dimensions may be available for shown WB. Modify rear overhang to the calculated body length.
- 6) Based on basic specification.
- 7) Cab height is measured from frame member to closed cabin roof hatch.

- 8) Calculate customer specific body length with TOPEC. Body lengths shown based on evenly distributed load at max axle load.
- 9) Unladen height at centre of driven axle(s).
- 10) Laden height at centre of driven axle(s).
- 11) TK = turning circle between kerbs.
- 12) TW = turning circle between walls.
- 13) Unladen height at centre of front axle(s).
- 14) Laden height at centre of front axle(s).
- 15) TB is overall width at rear. (At centre of front axle 255).

Depending on the vehicle configuration a specific option may not be possible. The availability and specification of this vehicle may differ per country. For further information please contact the DAF organisation. Pictures and technical illustrations are not binding in detail and can differ from the standard specification. Subject to modification without prior notice.