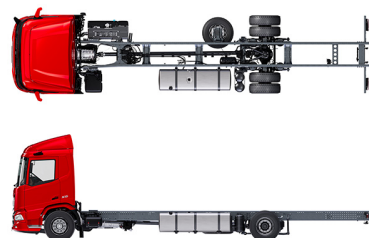


Specification sheet

XD 230

FA 4X2 Rigid, 19t



ENGINES

- XD NewGen 230 PX-7 (167 kW / 227 hp)
- XD NewGen 260 PX-7 (189 kW / 257 hp)
- XD NewGen 290 PX-7 (212 kW / 287 hp)
- XD NewGen 310 PX-7 (227 kW / 308 hp)

GVM¹⁾

- 18000 kg
-
- Max. front 8000 kg
- Max. rear 11500 kg

GCM²⁾

- 19000 kg
-
-
-

016F6806AAAA - 202545A - 10-07-2025

DAF Trucks Ltd, UK, Haddenham, HP17 8LJ, www.daf.co.uk

CAB EXTERIOR

Luxurious Day Cab with unrivalled aerodynamics for fuel efficient driving and low CO2 emissions. The huge and deep frontscreen, curved at the sides combined with large side windows offer an unsurpassed direct view for the driver, to enhance road safety. Cab length: 2030 mm; cab width: 2500 mm. Number of cab entrance steps: 2.; Cab suspension mechanical; LED head lights; DAF Corner View.

Optional

07018 Sleeper Cab	01925 Two LED work lamps for cab rear wall
06244 Sleeper High Cab	01891 Hazard beacons on cab front, prepared
01226 Cab suspension air	06629 Two hazard beacon lights
03358 External sun visor	03232 Front windscreen with solar control foil
03922 Fog lights front	03317 Rear window: double glass
00936 Auxiliary LED lights on cab roof, prepared	07343 Kerb view window co-driver door
01836 LED Skylights	01362 DAF Digital Vision System
00949 LED Skylights; aux. LED lights on cab rf, prepared	

AERODYNAMICS

Optional

00008 Adj. roof air deflector short Sleeper High Cab	00082 Adj. roof air deflector for Day Cab
00124 Adj. rf air defl.long mid >4m(!) Sleeper High Cab	00097 Adj. roof air deflector for Sleeper Cab
01538 Adj. roof air defl. long high >4m(!) Sleeper High	00020 Adj. roof air deflector long low Sleeper High Cab
02662 Adj. roof air defl. long mid XD Sleeper High Cab	

COLOURS

Cab colour E1980 Crystal White; Chassis colour grey.; Colour of bumper: Crystal White.

CAB INTERIOR

Cab interior trim colour: Luxury; Dashboard finish: Vision; Cab interior decoration: Hexagon; Driver seat: Comfort Air; Co-driver seat: cinema with fabric cover; No dashboard table; Storage compartment in centre; Automatic Temperature Control and airco; No auxiliary cab heater.

Optional

02354 Steering wheel with silver accents	02117 Third seat
02355 Steering wheel, leather	02837 Dashboard table
02353 Cab interior decoration: Argenta	03948 Single drawer
02350 Cab interior decoration: Natura	03954 Refrigerator
07733 Driver seat: Luxury Air	02838 Foam mattress for lower bunk
07736 Driver seat: Super Air	02854 Xtra Comfort mattress for lower bunk
07737 Driver seat: Xtra Leather Air	01775 Xtra Comfort mattress with topper for lower bunk
01740 Arm rest at both sides of the driver seat	06970 Automatic Cab Climate Control

COMMUNICATION AND DRIVING MANAGEMENT

PACCAR Connect; Tachograph digital, Stoneridge version G2V2A; Speed limiter setting 85 km/h; Adaptive Cruise Control with FCW and AEBS-3; Driver Performance Assistant.

Optional

09681 Preparation for Maut	03684 Infotainment including DAF Truck Navigation
03470 Infotainment incl. DAF Truck Nav. and tablet prep.	

SAFETY AND SECURITY

Speed limit recognition; DAF drowsiness detection; Lane Departure Warning System; Vehicle Stability Control (VSC); Basic engine immobiliser system; No EC-ADR packages; Drive-off Assist; DAF Side & Turn Assist.

Optional

08631 Air bag (driver) and 2 seat belt tensioners	03628 DAF drowsiness & distraction detection
02567 No Traffic Sign Assist	01929 No Drive-off Assist
02569 No Driver State Monitoring	01952 No DAF Side/Turn Assist

SUSPENSION AND AXLES

Front: 8.00 t, parabolic, 163N; Rear axle load 13.00 t; Rear: air suspension, SR1344; No lifting device.

Optional

04647 Front springs air

WHEELS AND TYRES

Driven rear axle(s): 315/70R22.5; Tyre pressure monitoring; F1,315/70R22.5GO EQMSU 158/150 L Steering ABA 3P; R1,315/70R22.5GO EQMDU 154/150 L Traction ABB 3P.

Optional

16152 Tyre makes and types

DRIVELINE

Engine PX-7, 6 cylinder diesel engine, 6.7 litres. Output 167 kW (227 hp) at 1900 rpm. Max. torque 890 Nm at 1000-1700 rpm.; Exhaust emission Euro 6; 8-speed PowerLine 8AP1000 overdrive, 4.89-0.64; Gearbox ratio 4.89-0.64; Rear axle ratio 5.57.

BRAKE SYSTEM

Exhaust brake; Ventilated disc brakes front and rear. Dual circuit air system with electronic control (EBS).Engine driven, water cooled aire compressor with automatic air heated dryer..

Optional

02861 PX Engine Brake	04901 Spring brake cylinders on the first front axle
01497 Park brake control pneumatic with spoken warning	

CHASSIS

Wheelbase 4.00 m / rear overhang 1.70 m; Side member height 260 mm; Standard component location; 340 l alu fuel tank LH, height 620 mm; Tank for AdBlue® 30 l, right-hand side chassis; Spray suppression.

Optional

02601 Side member height 310 mm	07071 Spare wheel carrier right-hand side
16157 Fuel tanks, material and sizes	03323 Rear light with LEDs

DRAWBAR AND TRAILER EQUIPMENT

Closing member D-value = 0kN.

Optional

08026 Trailer coupling Rockinger **04659** Trailer cable EBS
D=13.0 B

BODIES AND PREPARATIONS FOR BODYING

Application connector chassis.

Optional

09421 Additional spare wiring **08121** Tail lift application

POWER TAKE-OFF (PTO)

Optional

16148 PTO types and positions

24V POWER SUPPLY

Alternator 80 A, batteries 2x 140 Ah..

Optional

01897 Alternator 100 A **07671** Batteries 2x210Ah AGM
08797 Batteries 2x175Ah C-type

GVM AND GCM

Chassis weight related technical GVM max 19000 kg; Driveline related max GCM 19000 kg.

APPLICATION CONDITIONS

Air intake front.

Optional

02260 Extra cab insulation **03648** Cyclonic air intake high

SERVICE AND MAINTENANCE

Standard Warranty takes care of 1 year complete vehicle as supplied by the OEM (excl. real wear parts), 2nd year driveline and 1st year breakdown.; ITS service.

VEHICLE DELIVERY

Minimum toolkit.

Optional

07569 Lifting jack

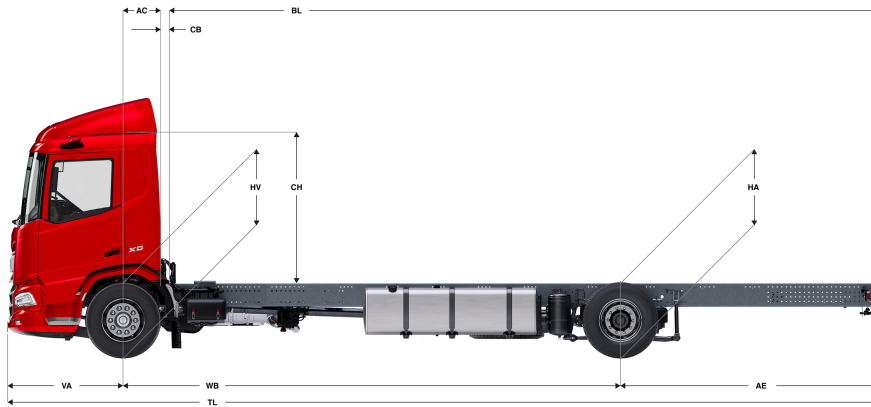
OPTION PACKAGES

Optional

17595 Executive Pack XD/XF

XD 230

FA 4X2 Rigid, 19t



	Wheelbase - AE		Unladen weight ¹⁾			Gross Carrying Capacity			Variable dimensions									
	WB	AE ⁵⁾	Front	Rear	Total	Front	Rear	Total	AC	CB ⁶⁾	CH ⁷⁾	BL ⁸⁾	BL	TL	HA ⁹⁾	HA ¹⁰⁾	TK ¹¹⁾	TW ¹²⁾
DAY CAB	4,00	1,70	3922	1729	5650	4078	9771	12350	0,50	0,07	2,06	4,42	5,61	7,23	0,97	0,94	14,02	15,41
	4,20	1,80	3917	1748	5665	4083	9752	12335	0,50	0,07	2,06	4,70	5,95	7,53	0,97	0,94	14,53	15,94
	4,50	1,95	3913	1793	5705	4087	9707	12295	0,50	0,07	2,06	5,10	6,44	7,98	0,97	0,94	15,31	16,73
	4,70	2,05	3910	1810	5720	4090	9690	12280	0,50	0,07	2,06	5,37	6,78	8,28	0,97	0,94	15,83	17,26
	4,90	2,35	3901	1842	5743	4099	9658	12257	0,50	0,07	2,06	5,63	7,10	8,78	0,97	0,94	16,35	17,79
	5,10	2,75	3953	1985	5938	4047	9515	12062	0,50	0,07	2,06	5,90	7,45	9,38	0,97	0,94	16,87	18,32
	5,40	2,65	3972	1997	5969	4028	9503	12031	0,50	0,07	2,06	6,33	7,97	9,58	0,97	0,94	17,66	19,11
	5,70	2,65	3981	2013	5994	4019	9487	12006	0,50	0,07	2,06	6,74	8,49	9,88	0,97	0,94	18,44	19,90
	6,10	2,80	4014	2081	6095	3986	9419	11905	0,50	0,07	2,06	7,30	9,17	10,43	0,97	0,94	19,49	20,96
6,60	3,45	3942	2066	6008	4058	9434	11992	0,50	0,07	2,01	7,95	9,96	11,58	1,02	0,99	20,80	22,28	
6,90	3,50	3947	2080	6027	4053	9420	11973	0,50	0,07	2,01	8,36	10,47	11,93	1,02	0,99	21,59	23,08	
SLEEPER CAB	4,00	1,70	4032	1725	5758	3968	9775	12242	0,83	0,07	2,06	3,81	5,01	7,23	0,97	0,94	14,02	15,41
	4,20	1,80	4028	1745	5772	3972	9755	12228	0,83	0,07	2,06	4,08	5,34	7,53	0,97	0,94	14,53	15,94
	4,50	1,95	4023	1790	5812	3977	9710	12188	0,83	0,07	2,06	4,49	5,84	7,98	0,97	0,94	15,31	16,73
	4,70	2,05	4020	1807	5827	3980	9693	12173	0,83	0,07	2,06	4,77	6,18	8,28	0,97	0,94	15,83	17,26
	4,90	2,35	4011	1839	5850	3989	9661	12150	0,83	0,07	2,06	5,03	6,51	8,78	0,97	0,94	16,35	17,79
	5,10	2,75	4063	1982	6046	3937	9518	11954	0,83	0,07	2,06	5,30	6,87	9,38	0,97	0,94	16,87	18,31
	5,40	2,65	4082	1995	6076	3918	9505	11924	0,83	0,07	2,06	5,73	7,39	9,58	0,97	0,94	17,66	19,11
	5,70	2,65	4090	2011	6101	3910	9489	11899	0,83	0,07	2,06	6,14	7,90	9,88	0,97	0,94	18,44	19,90
	6,10	2,80	4123	2079	6202	3877	9421	11798	0,83	0,07	2,06	6,71	8,60	10,43	0,97	0,94	19,49	20,96
6,60	3,45	4051	2064	6115	3949	9436	11885	0,83	0,07	2,01	7,36	9,40	11,58	1,02	0,99	20,80	22,28	
6,90	3,50	4056	2078	6134	3944	9422	11866	0,83	0,07	2,01	7,78	9,91	11,93	1,02	0,99	21,59	23,08	
SLEEPER HIGH CAB	4,00	1,70	4061	1726	5787	3939	9774	12213	0,83	0,07	2,54	3,82	5,03	7,23	0,97	0,94	14,02	15,41
	4,20	1,80	4057	1745	5802	3943	9755	12198	0,83	0,07	2,54	4,09	5,36	7,53	0,97	0,94	14,53	15,94
	4,50	1,95	4052	1790	5842	3948	9710	12158	0,83	0,07	2,54	4,50	5,87	7,98	0,97	0,94	15,31	16,73
	4,70	2,05	4049	1808	5856	3951	9692	12144	0,83	0,07	2,54	4,78	6,20	8,28	0,97	0,94	15,83	17,26
	4,90	2,35	4040	1840	5880	3960	9660	12120	0,83	0,07	2,54	5,05	6,53	8,78	0,97	0,94	16,35	17,79
	5,10	2,75	4092	1983	6075	3908	9517	11925	0,83	0,07	2,54	5,33	6,89	9,38	0,97	0,94	16,87	18,31
	5,40	2,65	4111	1995	6106	3889	9505	11894	0,83	0,07	2,54	5,75	7,41	9,58	0,97	0,94	17,66	19,11
	5,70	2,65	4119	2011	6131	3881	9489	11869	0,83	0,07	2,54	6,17	7,92	9,88	0,97	0,94	18,44	19,90
	6,10	2,80	4152	2080	6232	3848	9420	11768	0,83	0,07	2,54	6,73	8,63	10,43	0,97	0,94	19,49	20,96
6,60	3,45	4080	2064	6145	3920	9436	11855	0,83	0,07	2,49	7,38	9,42	11,58	1,02	0,99	20,80	22,28	
6,90	3,50	4086	2078	6164	3914	9422	11836	0,83	0,07	2,49	7,80	9,93	11,93	1,02	0,99	21,59	23,08	

OTHER DIMENSIONS	VA: 1,53	HV ¹³⁾ : 0,99	HV ¹⁴⁾ : 0,92	RB: 0,79	SB: 1,82	TB ¹⁵⁾ : 2,48
------------------	----------	--------------------------	--------------------------	----------	----------	--------------------------

- GVM in conformity with registration documents.
- GCM in conformity with registration documents.
- Axle load with standard tyre size.
- Chassis and cab weight calculated with: Standard specification items only with 340 litres of fuel, 30 litres of AdBlue® and driver of 90 kg, tolerance ± 3%. Changing of the specification can have major impact on vehicle weight.
- Other AE dimensions may be available for shown WB. Modify rear overhang to the calculated body length.
- CB is based on standard air intake and/or exhaust.
- Cab height is measured from frame member to closed cabin roof hatch.
- Calculate customer specific body length with TOPEC. Body lengths shown based on evenly distributed load at max axle load.
- Unladen height at centre of driven axle(s).
- Laden height at centre of driven axle(s).
- TK = turning circle between kerbs.
- TW = turning circle between walls.
- Unladen height at centre of front axle(s).
- Laden height at centre of front axle(s).
- TB is overall width at rear. (At centre of front axle 255).

Depending on the vehicle configuration a specific option may not be possible. The availability and specification of this vehicle may differ per country. For further information please contact the DAF organisation. Pictures and technical illustrations are not binding in detail and can differ from the standard specification. Subject to modification without prior notice.