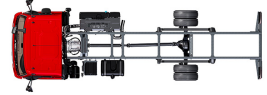


# Specification sheet

## XB 190

FA 4X2 Rigid, 10t Chassis/Body



### ENGINES

XB NewGen 190 PX-5 (139 kW / 189 hp)
XB NewGen 210 PX-5 (153 kW / 208 hp)
XB NewGen 230 PX-7 (167 kW / 227 hp)
XB NewGen 260 PX-7 (189 kW / 257 hp)

### GVM<sup>1)</sup>

10000 kg
Max. front 4000 kg
Max. rear 7200 kg

### GCM<sup>2)</sup>

10000 kg

## CAB EXTERIOR

Day Cab with steel bumper, tinted glass and electric window openers. Main mirrors and wide angle mirrors electrically heated. Cab width 2130 mm.; Electrically adjustable mirrors; Mirror brackets, body 2.50-2.60 m; Front view mirror; Rear view camera.

### Optional

<b>02576</b> Extended Day Cab	<b>06629</b> Two hazard beacon lights
<b>02106</b> Sleeper Cab	<b>02083</b> Two hazard beacon lights LED
<b>01173</b> Cab suspension mechanical	<b>07343</b> Kerb view window co-driver door
<b>01605</b> Cab suspension mechanical reinforced	<b>00915</b> Side no glass / rear single glass
<b>09983</b> Fog lights	<b>09101</b> Green tinted glass, heated
<b>09984</b> Fog lights and cornering lights	<b>09283</b> Mirror brackets, body 2.40-2.50 m

## AERODYNAMICS

### Optional

<b>09286</b> Roof air deflector prepared	<b>07092</b> Adjustable roof air deflector low (set)
<b>06776</b> Adjustable roof air deflector	<b>09287</b> Side collars prepared
<b>07109</b> Adjustable roof air deflector high (set)	<b>07112</b> Side collars long (set)

## COLOURS

; Head lamp panel and bumper: Stone Grey; Cab steps and wing Stone Grey; Chassis colour grey..

### Optional

<b>06485</b> Head lamp panel and bumper: cab colour	<b>01303</b> Curtain colour 557 blue, panels white
<b>01109</b> Cab steps and wing in cab colour	<b>01340</b> Curtain colour 602 green, panels white
<b>04674</b> Body panels standard white	<b>01344</b> Curtain colour 763 grey, panels white
<b>01238</b> Curtain colour 907 white, panels white	<b>01350</b> Curtain colour 905 black, panels white
<b>01241</b> Curtain colour 148 yellow, panels white	<b>16153</b> Cab and chassis colours
<b>01298</b> Curtain colour 356 red, panels white	

## CAB INTERIOR

Left-hand drive (LHD); Mechanically adjustable steering column; Driver seat: air suspended; Co-driver seat: fixed velour; Storage box on engine tunnel.

### Optional

<b>01847</b> Right-hand drive (RHD)	<b>04346</b> Lower bunk, normal level
<b>09271</b> Steering wheel, leather, colour black	<b>03703</b> Auxiliary cab heater Air Top 2000
<b>03516</b> Pneumatically adjustable steering column	<b>04246</b> Roof hatch, manual control
<b>00967</b> Seat belts red	<b>04258</b> Roof hatch, electric control
<b>16158</b> Seat types	

## COMMUNICATION AND DRIVING MANAGEMENT

FMS connector, prepared; Tachograph digital, Stoneridge 1C version G2V2; Driver Performance Assistant.

### Optional

<b>07706</b> No PACCAR Connect	<b>16155</b> Audio equipment, makes and types
--------------------------------	---

## SAFETY AND SECURITY

Speed limit recognition; DAF drowsiness detection; Drive-off Assist.

### Optional

<b>08631</b> Air bag (driver) and 2 seat belt tensioners	<b>07414</b> Reverse warning with self-adjusting volume
<b>01725</b> Reverse warning	<b>16156</b> EC-ADR packages

## SUSPENSION AND AXLES

Front axle type 45N. Parabolic leaf suspension with shock absorbers and stabiliser. Max. load 4.0 tonnes.; Single reduction driven rear axle type SR8.14 with parabolic leaf suspension, including shock absorbers and stabiliser. Max. load 7.20 tonnes..

### Optional

<b>00871</b> Rear: 7.20 t, air suspension, SR8.14	<b>01372</b> Rear springs air
---	-------------------------------

## WHEELS AND TYRES

Front axle(s): 245/70R17.5; Driven rear axle(s): 245/70R17.5; Goodyear; Wheel protection rings silvergrey.

### Optional

<b>06764</b> Wheel protection rings black	<b>16152</b> Tyre makes and types
---	-----------------------------------

## DRIVELINE

Engine PX-5, 4 cylinder diesel engine, 4.5 litres. Output 139 kW (189 hp) at 2300 rpm. Max. torque 745 Nm at 1200-1700 rpm.; Exhaust emission Euro 6; Manual gearbox, 6 speeds; Gearbox ratio 6.58-0.78; Rear axle ratio 3.31.

### Optional

<b>07667</b> Automatic gearbox PowerLine, 8-speed	<b>02800</b> Rear axle ratio 4.10
<b>01879</b> Rear axle ratio 3.73	<b>02843</b> Mechanical differential lock

## BRAKE SYSTEM

Exhaust brake.

### Optional

<b>06195</b> Park brake control with test position	<b>09525</b> Park brake ctl with test pos and spoken warning
<b>09524</b> Park brake control with spoken warning	

## CHASSIS

Wheelbase 3.55 m / rear overhang 1.98 m; Side member height 210 mm; EAS unit right, discharge right rearward; Battery box left, no spare wheel carrier; Plastic fuel tank 110 l; Tank for AdBlue® 30 l, right-hand side chassis; Spray suppression.

### Optional

<b>01623</b> Rear underrun protection	<b>03323</b> Rear light with LEDs
---------------------------------------	-----------------------------------

## DRAWBAR AND TRAILER EQUIPMENT

Closing member D-value = 0kN.

### Optional

<b>06779</b> Cross member D85-Dc70 -V25, no coupling, mounted	<b>04661</b> D-value cross member D=8.5
<b>06657</b> Cross member D85-Dc70 -V25, coupling D85, mounted	

## BODIES AND PREPARATIONS FOR BODYING

Application connector on the cab front; Standard body attachment hole pattern.

### Optional

00126	Body attachment BAM 1, consoles type B	02717	Aluminium kick strips, front and sides 228 mm
02357	Box body	02712	Aluminium kick strips, front 228 mm
01890	Curtain sider body	02727	Galvanised kick strips, front and sides 200 mm
03562	Aerobody	02728	Plywood kick strips, front and sides 300 mm
02615	External body length 5150 mm	02738	Plywood kick strips, front 1200 mm, sides 300 mm
02622	External body length 6100 mm	04650	Rear wide lath shutter door
02650	External body length 6810 mm	04662	Rear double doors
06463	External body length 7100 mm	02726	Single, hinged side door at front left-hand side
04619	External body width 2480 mm	04297	Single, hinged side door at rear right-hand side
04621	External body width 2540 mm	02718	Side roller shutter door
01403	GRP faced plywood panels	04637	Column tail lift
00067	Contour markings	04640	Tuck-under tail lift
02702	Standard body floor	06464	Tail lift 1.5 tonnes
02698	Body floor with 3 mm aluminium tread plate		

## POWER TAKE-OFF (PTO)

### Optional

16148 PTO types and positions

## 24V POWER SUPPLY

Alternator 80 A, batteries 2x 125 Ah..

### Optional

01897 Alternator 100 A      08797 Batteries 2x175Ah

## GVM AND GCM

Chassis weight related technical GVM max 10000 kg; Driveline related technical GCM equal to GVM.

### Optional

00728 Driveline related max GCM 20000 kg      03700 Driveline related technical GCM = GVM+3500 kg

## APPLICATION CONDITIONS

Moisture separator, unheated; Air intake low.

### Optional

01282 Moderate climate      04482 Air intake high behind cab  
04767 Moisture separator, heated

## VEHICLE DELIVERY

Standard toolkit.

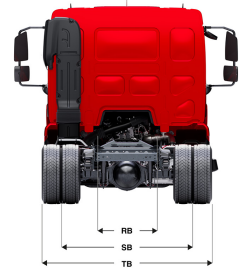
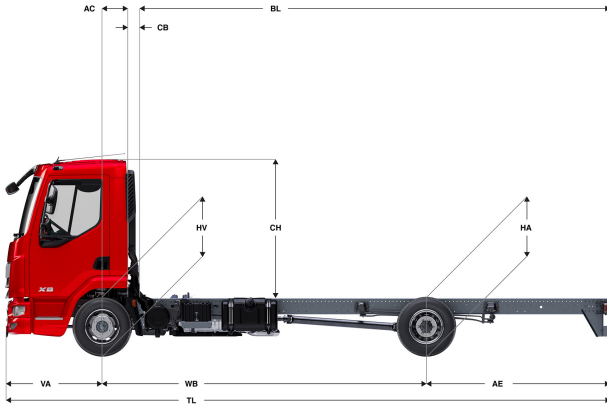
### Optional

06491 Toolkit Eastern Europe

Go to [DAF.com](https://www.daf.com) to configure your own perfect DAF.

# XB 190

## FA 4X2 Rigid, 10t Chassis/Body



	Wheelbase - AE		Unladen weight <sup>9)</sup>			Gross Carrying Capacity			Variable dimensions									
	WB	AE <sup>5)</sup>	Front	Rear	Total	Front	Rear	Total	AC	CB <sup>6)</sup>	CH <sup>7)</sup>	BL <sup>8)</sup>	BL	TL	HA <sup>9)</sup>	HA <sup>10)</sup>	TK <sup>11)</sup>	TW <sup>12)</sup>
DAY CAB	3,55	1,98	2484	1072	3556	1516	6128	6444	0,33	0,22	1,84	4,34	5,64	6,82	0,98	0,96	11,68	13,03
	3,90	2,23	2481	1087	3568	1519	6113	6432	0,33	0,22	1,84	4,86	6,31	7,42	0,98	0,96	12,53	13,91
	4,30	2,43	2495	1116	3611	1505	6084	6389	0,33	0,22	1,84	5,48	7,08	8,02	0,97	0,97	13,51	14,90
	4,65	2,75	2495	1141	3636	1505	6059	6364	0,33	0,22	1,84	6,01	7,75	8,69	0,97	0,97	14,37	15,77
	5,00	2,46	2525	1126	3651	1475	6074	6349	0,33	0,22	1,84	6,58	8,47	8,75	0,97	0,98	15,23	16,65
SLEEPER CAB	WB	AE <sup>5)</sup>	Front	Rear	Total	Front	Rear	Total	AC	CB <sup>6)</sup>	CH <sup>7)</sup>	BL <sup>8)</sup>	BL	TL	HA <sup>9)</sup>	HA <sup>10)</sup>	TK <sup>11)</sup>	TW <sup>12)</sup>
	3,55	1,98	2621	1051	3672	1379	6149	6328	0,73	0,20	1,87	3,69	5,04	6,82	0,98	0,95	11,67	13,03
	3,90	2,23	2627	1080	3707	1373	6120	6293	0,73	0,20	1,87	4,25	5,73	7,42	0,98	0,96	12,53	13,91
	4,30	2,43	2627	1098	3725	1373	6102	6275	0,73	0,20	1,87	4,87	6,50	8,02	0,98	0,96	13,51	14,90
	4,65	2,75	2634	1130	3765	1366	6070	6235	0,73	0,20	1,87	5,41	7,19	8,69	0,97	0,96	14,37	15,77

OTHER DIMENSIONS VA: 1,29 HV<sup>13)</sup>: 0,92 HV<sup>14)</sup>: 0,88 RB: 0,86 SB: 1,75 TB<sup>15)</sup>: 2,33

1) GVM in conformity with registration documents.  
 2) GCM in conformity with registration documents.  
 3) Axle load with standard tyre size.  
 4) Chassis and cab weight calculated with: Standard specification items only with 0 litres of fuel, 0 litres of AdBlue® and driver of 75 kg, tolerance ± 3%. Changing of the specification can have major impact on vehicle weight.  
 5) Other AE dimensions may be available for shown WB. Modify rear overhang to the calculated body length.  
 6) CB is based on standard air intake and/or exhaust.  
 7) Cab height is measured from frame member to closed cabin roof hatch.

8) Calculate customer specific body length with TOPEC. Body lengths shown based on evenly distributed load at max axle load.  
 9) Unladen height at centre of driven axle(s).  
 10) Laden height at centre of driven axle(s).  
 11) TK = turning circle between kerbs.  
 12) TW = turning circle between walls.  
 13) Unladen height at centre of front axle(s).  
 14) Laden height at centre of front axle(s).  
 15) TB is overall width at rear. (At centre of front axle 255).

Depending on the vehicle configuration a specific option may not be possible. The availability and specification of this vehicle may differ per country. For further information please contact the DAF organisation. Pictures and technical illustrations are not binding in detail and can differ from the standard specification. Subject to modification without prior notice.