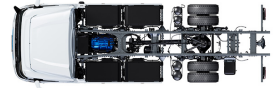


Specification sheet

XD 220

FA 4X2 Rigid, Electric



ENGINES

XD BEVNewGen rnal (mbusti / No hp listing)

XD BEVNewGen 170 rnal (mbusti / No hp listing)

XD BEVNewGen 220 rnal (mbusti / No hp listing)

XD BEVNewGen 270 rnal (mbusti / No hp listing)

XD BEVNewGen 310 rnal (mbusti / No hp listing)

GVM¹⁾

18000 kg

Max. front 8000 kg

Max. rear 11500 kg

GCM²⁾

21500 kg

CAB EXTERIOR

Luxurious Day Cab with unrivalled aerodynamics for fuel efficient driving and low CO2 emissions. The huge and deep frontscreen, curved at the sides combined with large side windows offer an unsurpassed direct view for the driver, to enhance road safety. Cab length: 2030 mm; cab width: 2500 mm.; Cab suspension mechanical; LED head lights; No DAF Digital Vision System; DAF Corner View; Rear view camera.

Optional

07018 Sleeper Cab	01925 Two LED work lamps for cab rear wall
06244 Sleeper High Cab	01891 Hazard beacons on cab front, prepared
02889 Chassis front execution: no bottom plate	06629 Two hazard beacon lights
02952 Chassis front execution: bottom plate aero	07201 Skylights
07586 Chassis front execution: robust	03232 Front windscreen with solar control foil
01226 Cab suspension air	03317 Rear window: double glass
04355 Air horns, prepared	07343 Kerb view window co-driver door
00847 Air horns, single set	01886 Laminated glass with solar control foil
09006 Air horns, double set	01354 No main mirrors
00330 LED head and fog lights	01362 DAF Digital Vision System
00346 LED head and cornering lights	01912 No DAF Corner View
00354 LED head, cornering and fog lights	03151 Rear view camera with prep for 2nd camera
02591 High Beam Assist	

AERODYNAMICS

No roof air deflector; No roof air deflector; No side collars.

Optional

02482 Adj. rf air defl. long mid for XD Sleeper High Cab	01805 Adj. roof air defl. short for Sleeper High Cab
07332 Adj. roof air deflector for Day Cab	04906 Side collars, one side hinged
07340 Adj. roof air deflector for Sleeper Cab	03074 Side collars, both sides hinged
01818 Adj. roof air deflector long low Sleeper High Cab	16150 No roof air deflectors, types and settings

COLOURS

Cab colour E1980 Crystal White; Lower cab step Stone Grey; Chassis colour grey.; Colour of bumper: Crystal White.

Optional

07481 Lower cab step Brilliant White	03003 Colour of bumper: grey
04868 Lower cab step Crystal White	02989 Colour of bumper: Brilliant White
07480 Lower cab step in cab colour	02990 Colour of bumper: cab colour
16159 No cab and chassis colours	

CAB INTERIOR

Steering wheel, black; Cab interior trim colour: Luxury; Cab interior decoration: Hexagon; Driver seat: Comfort Air; Co-driver seat: cinema with fabric cover; No dashboard table; Automatic Temperature Control and airco; Park air conditioning, integrated.

Optional

02354 Steering wheel with silver accents	03848 Co-driver seat: cinema with leather cover
02355 Steering wheel, leather	07746 Co-driver seat: Super Air
02353 Cab interior decoration: Argenta	03862 Co-driver seat: cinema + table; leather cover
02350 Cab interior decoration: Natura	07748 Co-driver seat: Xtra Leather Air
07733 Driver seat: Luxury Air	02117 Third seat
07736 Driver seat: Super Air	02837 Dashboard table
07737 Driver seat: Xtra Leather Air	03948 Single drawer
03461 Co-driver seat: cinema + table; fabric cover	03954 Refrigerator
07741 Co-driver seat: Comfort Air	02838 Foam mattress for lower bunk
03781 Co-driver seat: cinema with alcantara cover	02854 Xtra Comfort mattress for lower bunk
07743 Co-driver seat: Luxury Air	01775 Xtra Comfort mattress with topper for lower bunk
03849 Co-driver seat: cinema + table; alcantara cover	04258 Roof hatch, electric control

COMMUNICATION AND DRIVING MANAGEMENT

PACCAR Connect; Tachograph digital, Stoneridge version G2V2A; Speed limiter setting 85/90 km/h; Infotainment basic; Adaptive Cruise Control with FCW and AEBS-3; No Predictive Cruise Control.

Optional

07706 No PACCAR Connect	03684 Infotainment including DAF Truck Navigation
07020 PACCAR Connect with navigation	01219 Speakers: Exclusive
07021 PACCAR Connect with navigation and tablet software	06991 Predictive Cruise Control
02089 No Connect Software	06992 Predictive Cruise Control lite
03470 Infotainment incl. DAF Truck Nav. and tablet prep.	

SAFETY AND SECURITY

Speed limit recognition; DAF drowsiness detection; Lane Departure Warning System; Drive-off Assist; DAF Side & Turn Assist.

Optional

08631 Air bag (driver) and 2 seat belt tensioners	03628 DAF drowsiness & distraction detection
--	---

SUSPENSION AND AXLES

Front: 8.00 t, parabolic, 163N; Front springs parabolic; Rear axle SR1344; Rear springs air; Rear axle load 13.00 t; Rear: air suspension, SR1344; No lifting device.

Optional

04813 Front: 8.00 t, parabolic, 165N	07114 Front: 10.00 t, parabolic, 203L
02509 Front: 8.00 t, parabolic, 167N	02460 Front: 8.00 t, air suspension, 161N
02426 Front: 9.00 t, parabolic, 183N	04647 Front springs air
00300 Front: 9.00 t, parabolic, 187N	08191 Axle load monitoring

WHEELS AND TYRES

Front axle(s): 315/70R22.5; Driven rear axle(s): 315/70R22.5; Goodyear; Tyre pressure monitoring.

Optional

16152 Tyre makes and types

DRIVELINE

; 220 kW; 150 kW DC charging; Rear axle ratio 2.05; No differential lock.

Optional

01656	Electric motor type EX-D2	01749	Charging: 150 kW DC + 22 kW AC
01664	170 kW	01756	325 kW DC charging
01686	270 kW	03677	Charging: 325 kW DC + 22 kW AC
01691	310 kW	02843	Mechanical differential lock
01692	350 kW		

BRAKE SYSTEM

Park brake control electro-pneumatic; No brake resistor; Park brake electro-pneumatic; Driven rear axle with disc brakes.

Optional

04901	Spring brake cylinders on the first front axle	03969	Park brake assist
01857	Brake resistor		

CHASSIS

Wheelbase 4.30 m / rear overhang 1.80 m; Side member 260/7.0 mm, full length reinforcement; Side member height 260 mm; No HV battery pack at position L1; HV battery pack at position L2; No HV battery pack at position L3; No HV battery pack at position R1; HV battery pack at position R2; No HV battery pack at position R3.

Optional

02601	Side member height 310 mm	01701	5 HV battery packs
01696	2 HV battery packs	16157	Fuel tanks, material and sizes
01699	4 HV battery packs		

DRAWBAR AND TRAILER EQUIPMENT

Closing member D-value = 0kN.

BODIES AND PREPARATIONS FOR BODYING

Optional

09421	Additional spare wiring	09240	Application connector for refuse coll. (EN1501-1)
-------	-------------------------	-------	---

POWER TAKE-OFF (PTO)

Optional

01809	E-PTO socket 650V DC < 25 kW	07853	ePTO control at ignition OFF
04320	E-PTO socket 650V DC < 90 kW	07852	ePTO control at ignition ON

24V POWER SUPPLY

Batteries 2x 175 Ah..

GVM AND GCM

Chassis weight related technical GVM max 20500 kg; Driveline related max GCM 21500 kg.

Optional

01933	Driveline related max GCM 42000 kg	02200	Driveline related max GCM 46000 kg class 2
01937	Driveline related max GCM 46000 kg	03675	Driveline related max GCM 50000 kg class 3

APPLICATION CONDITIONS

Regular cab insulation.

Optional

02260 Extra cab insulation

SERVICE AND MAINTENANCE

Standard Warranty takes care of 1 year complete vehicle as supplied by the OEM (excl. real wear parts), 2nd year driveline and 1st year breakdown.; ITS service.

VEHICLE DELIVERY

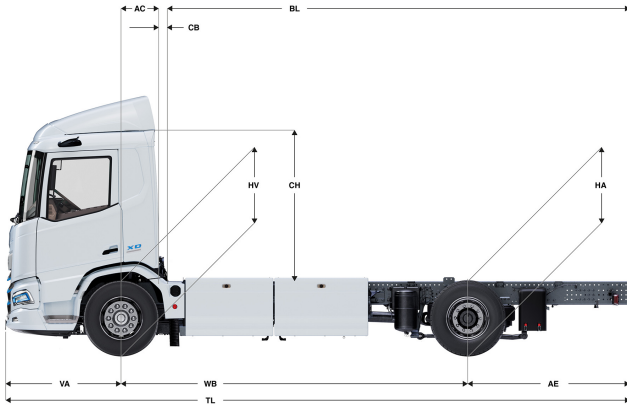
Optional

02008	No toolkit	06491	Toolkit Eastern Europe
02019	Standard toolkit		

Go to [DAF.com](https://www.daf.com) to configure your own perfect DAF.

XD 220

FA 4X2 Rigid, Electric



	Wheelbase - AE		Unladen weight ⁹⁾			Gross Carrying Capacity			Variable dimensions									
	WB	AE ⁵⁾	Front	Rear	Total	Front	Rear	Total	AC	CB ⁶⁾	CH ⁷⁾	BL ⁸⁾	BL	TL	HA ⁹⁾	HA ¹⁰⁾	TK ¹¹⁾	TW ¹²⁾
DAY CAB	3,90	1,30	5460	3240	8699	2540	8260	9301	0,50	0,07	2,06	4,99	5,31	6,73	0,97	0,94	13,76	15,14
	4,30	1,80	5609	3202	8812	2391	8298	9188	0,50	0,07	2,06	5,70	6,07	7,63	0,97	0,94	14,79	16,20
	4,50	1,95	5697	3189	8887	2303	8311	9113	0,50	0,07	2,06	6,09	6,46	7,98	0,97	0,94	15,31	16,73
	4,70	2,05	5755	3150	8905	2245	8350	9095	0,50	0,07	2,06	6,45	6,84	8,28	0,97	0,94	15,83	17,26
	4,90	2,35	5809	3147	8957	2191	8353	9043	0,50	0,07	2,06	6,81	7,22	8,78	0,97	0,94	16,35	17,78
	5,10	2,75	5847	3155	9003	2153	8345	8997	0,50	0,07	2,06	7,16	7,59	9,38	0,97	0,94	16,87	18,31
	5,40	2,65	5931	3092	9022	2069	8408	8978	0,50	0,07	2,06	7,73	8,18	9,58	0,97	0,94	17,66	19,11
	5,70	2,65	6029	3082	9111	1971	8418	8889	0,50	0,07	2,06	8,30	8,78	9,88	0,97	0,94	18,44	19,90
	6,10	2,80	6114	3054	9168	1886	8446	8832	0,50	0,07	2,06	9,04	9,56	10,43	0,97	0,94	19,49	20,96
SLEEPER CAB	3,90	1,30	5578	3233	8811	2422	8267	9189	0,83	0,07	2,06	4,39	4,71	6,73	0,97	0,94	13,76	15,14
	4,30	1,80	5727	3196	8923	2273	8304	9077	0,83	0,07	2,06	5,11	5,48	7,63	0,97	0,94	14,79	16,20
	4,50	1,95	5814	3183	8998	2186	8317	9002	0,83	0,07	2,06	5,50	5,88	7,98	0,97	0,94	15,31	16,73
	4,70	2,05	5872	3144	9016	2128	8356	8984	0,83	0,07	2,06	5,87	6,27	8,28	0,97	0,94	15,83	17,26
	4,90	2,35	5926	3142	9068	2074	8358	8932	0,83	0,07	2,06	6,23	6,65	8,78	0,97	0,94	16,35	17,78
	5,10	2,75	5964	3150	9114	2036	8350	8886	0,83	0,07	2,06	6,58	7,01	9,38	0,97	0,94	16,87	18,31
	5,40	2,65	6047	3087	9134	1953	8413	8866	0,83	0,07	2,06	7,16	7,62	9,58	0,97	0,94	17,66	19,11
	5,70	2,65	6145	3078	9222	1855	8422	8778	0,83	0,07	2,06	7,73	8,22	9,88	0,97	0,94	18,44	19,90
	6,10	2,80	6229	3050	9279	1771	8450	8721	0,83	0,07	2,06	8,49	9,02	10,43	0,97	0,94	19,49	20,96
SLEEPER HIGH CAB	3,90	1,30	5609	3232	8841	2391	8268	9159	0,83	0,07	2,54	4,41	4,73	6,73	0,97	0,94	13,76	15,14
	4,30	1,80	5758	3195	8953	2242	8305	9047	0,83	0,07	2,54	5,13	5,50	7,63	0,97	0,94	14,79	16,20
	4,50	1,95	5845	3183	9028	2155	8317	8972	0,83	0,07	2,54	5,51	5,90	7,98	0,97	0,94	15,31	16,73
	4,70	2,05	5903	3144	9046	2097	8356	8954	0,83	0,07	2,54	5,88	6,28	8,28	0,97	0,94	15,83	17,26
	4,90	2,35	5957	3141	9098	2043	8359	8902	0,83	0,07	2,54	6,25	6,66	8,78	0,97	0,94	16,35	17,78
	5,10	2,75	5994	3149	9144	2006	8351	8856	0,83	0,07	2,54	6,61	7,04	9,38	0,97	0,94	16,87	18,31
	5,40	2,65	6078	3086	9164	1922	8414	8836	0,83	0,07	2,54	7,17	7,64	9,58	0,97	0,94	17,66	19,11
	5,70	2,65	6175	3077	9253	1825	8423	8747	0,83	0,07	2,54	7,76	8,25	9,88	0,97	0,94	18,44	19,90
	6,10	2,80	6260	3050	9309	1740	8450	8691	0,83	0,07	2,54	8,50	9,03	10,43	0,97	0,94	19,49	20,96

OTHER DIMENSIONS VA: 1,53 HV¹³⁾: 0,95 HV¹⁴⁾: 0,89 RB: 0,79 SB: 1,82 TB¹⁵⁾: 2,48

- 1) GVM in conformity with registration documents.
- 2) GCM in conformity with registration documents.
- 3) Axle load with standard tyre size.
- 4) Chassis and cab weight calculated with: Standard specification items only with driver of (0) kg, tolerance ± 3%. Changing of the specification can have major impact on vehicle weight
- 5) Other AE dimensions may be available for shown WB. Modify rear overhang to the calculated body length.
- 6) Based on basic specification.
- 7) Cab height is measured from frame member to closed cabin roof hatch.

- 8) Calculate customer specific body length with TOPEC. Body lengths shown based on evenly distributed load at max axle load.
- 9) Unladen height at centre of driven axle(s).
- 10) Laden height at centre of driven axle(s).
- 11) TK = turning circle between kerbs.
- 12) TW = turning circle between walls.
- 13) Unladen height at centre of front axle(s).
- 14) Laden height at centre of front axle(s).
- 15) TB is overall width at rear. (At centre of front axle 255).

Depending on the vehicle configuration a specific option may not be possible. The availability and specification of this vehicle may differ per country. For further information please contact the DAF organisation. Pictures and technical illustrations are not binding in detail and can differ from the standard specification. Subject to modification without prior notice.