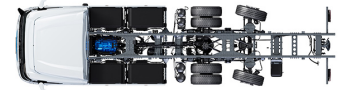


Specification sheet

XF 310

FAN 6X2 Rigid, Electric



ENGINES

XF BEVNewGen mral (mbusti / No hp listing)

XF BEVNewGen 270 mral (mbusti / No hp listing)

XF BEVNewGen 310 mral (mbusti / No hp listing)

GVM¹⁾

26000 kg

Max. front 7000 kg

Max. rear 19000 kg

GCM²⁾

42000 kg

CAB EXTERIOR

Luxurious Sleeper Cab with unrivalled aerodynamics for fuel efficient driving and low CO2 emissions. The huge and deep frontscreen, curved at the sides combined with large side windows offer an unsurpassed direct view for the driver, to enhance road safety. The cab interior is extremely comfortable for driving, living and sleeping with unprecedented spaciousness and practical layout. Cab length: 2360 mm; cab width: 2500 mm.; Cab suspension mechanical; LED head lights; Front view mirror.

Optional

06244 Sleeper High Cab	01925 Two LED work lamps for cab rear wall
02889 Chassis front execution: no bottom plate	01891 Hazard beacons on cab front, prepared
02952 Chassis front execution: bottom plate aero	06629 Two hazard beacon lights
07586 Chassis front execution: robust	03232 Front windscreen with solar control foil
03358 External sun visor	03317 Rear window: double glass
03922 Fog lights front	07343 Kerb view window co-driver door
00936 Auxiliary LED lights on cab roof, prepared	01550 No front view mirror
01836 LED Skylights	01362 DAF Digital Vision System
00949 LED Skylights; aux. LED lights on cab rf, prepared	01913 DAF Corner View

AERODYNAMICS

Optional

00008 Adj. roof air deflector short Sleeper High Cab	04906 Side collars, one side hinged
00097 Adj. roof air deflector for Sleeper Cab	03074 Side collars, both sides hinged
00020 Adj. roof air deflector long low Sleeper High Cab	

COLOURS

Cab colour E1980 Crystal White; Chassis colour grey.; Colour of bumper: Crystal White.

CAB INTERIOR

Cab interior trim colour: Luxury; Dashboard finish: Vision; Cab interior decoration: Hexagon; Driver seat: Comfort Air; No arm rest driver seat; Co-driver seat: cinema with fabric cover; Dashboard table; Storage compartment in centre; Automatic Temperature Control and airco; Auxiliary cab heater (water).

Optional

07310 Steering wheel, black	03948 Single drawer
02355 Steering wheel, leather	04070 Two drawers
02146 Dashboard finish: Plateau	03954 Refrigerator
02353 Cab interior decoration: Argenta	04050 Refrigerator and drawer
02350 Cab interior decoration: Natura	04069 Two refrigerators
07733 Driver seat: Luxury Air	02854 Xtra Comfort mattress for lower bunk
07736 Driver seat: Super Air	01775 Xtra Comfort mattress with topper for lower bunk
07737 Driver seat: Xtra Leather Air	06970 Automatic Cab Climate Control

COMMUNICATION AND DRIVING MANAGEMENT

PACCAR Connect; Tachograph digital, Stoneridge version G2V2A; Speed limiter setting 85/90 km/h; Adaptive Cruise Control with FCW and AEBS-3; Driver Performance Assistant.

Optional

09681 Preparation for Maut	06991 Predictive Cruise Control
03470 Infotainment incl. DAF Truck Nav. and tablet prep.	06992 Predictive Cruise Control lite
03684 Infotainment including DAF Truck Navigation	

SAFETY AND SECURITY

DAF drowsiness detection; Lane Departure Warning System; Vehicle Stability Control (VSC); Basic engine immobiliser system.

Optional

08631 Air bag (driver) and 2 seat belt tensioners	03628 DAF drowsiness & distraction detection
--	---

SUSPENSION AND AXLES

Front: 8.00 t, parabolic, 163N; Rear axle load 13.00 t; Rear: 20.00 t, air suspension, SR1344; Trailing axle load 8.0t; Lifting device.

Optional

06257 Front axle load 9.00 t	04647 Front springs air
06095 Front axle load 10.00 t	08191 Axle load monitoring

WHEELS AND TYRES

Driven rear axle(s): 315/70R22.5; Second driven rear or trailing axle: 315/70R22.5; F1,315/70R22.5GO EQMSU 158/150 L Steering ABA 3P; R1,315/70R22.5GO EQMDU 154/150 L Traction ABB 3P; R2,315/70R22.5GO EQMSU 158/150 L Steering ABA 3P.

Optional

16152 Tyre makes and types

DRIVELINE

Electric motor type EX-D2; 310 kW; 150 kW DC charging; Battery Electric Vehicle; Rear axle ratio 2.21.

Optional

01686 270 kW	01756 325 kW DC charging
01692 350 kW	03677 Charging: 325 kW DC + 22 kW AC
01749 Charging: 150 kW DC + 22 kW AC	02843 Mechanical differential lock

BRAKE SYSTEM

Ventilated disc brakes front and rear. Dual circuit air system with electronic control (EBS). Electric driven, water cooled air compressor with automatic air heated dryer..

Optional

04901 Spring brake cylinders on the first front axle

CHASSIS

Wheelbase 4.20 m / rear overhang 2.40 m; Side member height 260 mm; Standard component location; 4 HV battery packs; HV battery packs left, positions 1 and 2; HV battery pack right, position 2; Front underrun protection (FUP); Spray suppression.

Optional

- | | | | |
|-------|--|-------|---|
| 02601 | Side member height 310 mm | 02296 | HV battery pack right, position 3 |
| 01697 | 3 HV battery packs | 01779 | HV battery pack right, position 1 |
| 01701 | 5 HV battery packs | 01791 | HV battery packs right, positions 1 and 2 |
| 01634 | HV battery pack left, position 1 | 01799 | HV battery packs right, positions 2 and 3 |
| 01635 | HV battery pack left, position 2 | 01658 | No HV battery packs right |
| 02254 | HV battery pack left, position 3 | 16157 | Fuel tanks, material and sizes |
| 01762 | HV battery packs left, positions 2 and 3 | 03322 | Rear light with bulbs |
| 01626 | No HV battery packs left | | |

DRAWBAR AND TRAILER EQUIPMENT

D-value cross member D=13.7; Pneumatic trailer connection C-type; Electric connection 24 V / 1x15 pins.

Optional

- | | | | |
|-------|-------------------------------------|-------|-------------------------------------|
| 07033 | Trailer coupling Ringfeder D=13.7 B | 08027 | Trailer coupling Rockinger D=20.0 B |
| 07034 | Trailer coupling Ringfeder D=20.0 B | 04659 | Trailer cable EBS |
| 08026 | Trailer coupling Rockinger D=13.0 B | | |

BODIES AND PREPARATIONS FOR BODYING

Application connector chassis.

Optional

- | | | | |
|-------|-----------------------------|-------|-----------------------|
| 09421 | Additional spare wiring | 08121 | Tail lift application |
| 09201 | Chassis preparation for BDF | | |

POWER TAKE-OFF (PTO)

Optional

- | | | | |
|-------|------------------------------|-------|------------------------------|
| 01809 | E-PTO socket 650V DC < 25 kW | 04320 | E-PTO socket 650V DC < 90 kW |
|-------|------------------------------|-------|------------------------------|

24V POWER SUPPLY

Batteries 2x 175 Ah..

Optional

- | | | | |
|-------|------------------------------|-------|--------------------------|
| 07671 | Batteries 2x210Ah AGM C-type | 06440 | Batteries 2x230Ah C-type |
|-------|------------------------------|-------|--------------------------|

GVM AND GCM

Chassis weight related technical GVM max 27000 kg; Driveline related max GCM 42000 kg.

Optional

- | | | | |
|-------|------------------------------------|-------|--|
| 02636 | Driveline related max GCM 29000 kg | 02200 | Driveline related max GCM 46000 kg class 2 |
| 01937 | Driveline related max GCM 46000 kg | 03675 | Driveline related max GCM 50000 kg class 3 |

APPLICATION CONDITIONS

Optional

- | | |
|-------|----------------------|
| 02260 | Extra cab insulation |
|-------|----------------------|

SERVICE AND MAINTENANCE

Standard Warranty takes care of 1 year complete vehicle as supplied by the OEM (excl. real wear parts), 2nd year driveline and 1st year breakdown.; ITS service.

VEHICLE DELIVERY

Minimum toolkit.

Optional

- | | |
|-------|--------------|
| 07569 | Lifting jack |
|-------|--------------|

OPTION PACKAGES

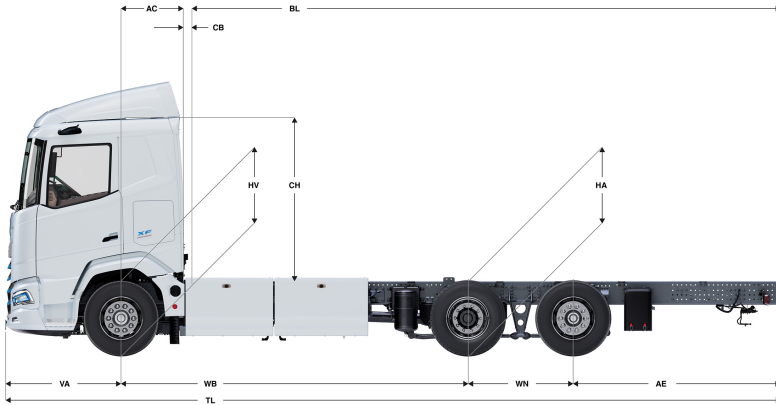
Optional

- | | | | |
|-------|-------------|-------|----------------------|
| 17448 | Safety pack | 17595 | Executive Pack XD/XF |
|-------|-------------|-------|----------------------|

Go to [DAF.com](https://www.daf.com) to configure your own perfect DAF.

XF 310

FAN 6X2 Rigid, Electric



	Wheelbase - AE		Unladen weight ⁹⁾			Gross Carrying Capacity			Variable dimensions									
	WB	AE ⁵⁾	Front	Rear	Total	Front	Rear	Total	AC	CB ⁶⁾	CH	BL ⁷⁾	BL	TL	HA ⁸⁾	HA ⁹⁾	TK ¹⁰⁾	TW ¹¹⁾
SLEEPER CAB	4,20	2,40	6679	4545	11223	321	14455	14777	0,83	0,07	2,23	6,92	8,10	9,53	0,97	0,94	14,53	15,93
	4,40	2,55	6766	4583	11348	234	14417	14652	0,83	0,07	2,23	7,34	8,58	9,88	0,97	0,94	15,05	16,46
	4,60	2,55	6818	4516	11334	182	14484	14666	0,83	0,07	2,23	7,73	9,04	10,08	0,97	0,94	15,57	16,99
	4,80	2,70	6876	4517	11393	124	14483	14607	0,83	0,07	2,23	8,14	9,50	10,43	0,97	0,95	16,09	17,52
	5,05	2,90	6946	4489	11435	54	14511	14565	0,83	0,07	2,23	8,66	10,08	10,88	0,97	0,95	16,74	18,18
	5,30	3,15	6986	4463	11449	14	14537	14551	0,83	0,07	2,23	9,16	10,64	11,38	0,97	0,95	17,39	18,84
SLEEPER HIGH CAB	5,60	3,15	7120	4530	11650	-120	14470	14350	0,83	0,07	2,18	9,81	11,39	11,68	1,02	1,00	18,18	19,63
	6,10	2,90	7270	4455	11724	-270	14545	14276	0,83	0,07	2,18	10,88	12,61	11,93	1,02	1,00	19,49	20,96
	4,20	2,40	6710	4544	11254	290	14456	14746	0,83	0,07	2,71	6,94	8,13	9,53	0,97	0,94	14,53	15,93
	4,40	2,55	6797	4582	11379	203	14418	14621	0,83	0,07	2,71	7,35	8,61	9,88	0,97	0,94	15,05	16,46
	4,60	2,55	6849	4516	11365	151	14484	14635	0,83	0,07	2,71	7,75	9,05	10,08	0,97	0,94	15,57	16,99
	4,80	2,70	6908	4516	11424	92	14484	14576	0,83	0,07	2,71	8,17	9,51	10,43	0,97	0,95	16,09	17,52
SLEEPER HIGH CAB	5,05	2,90	6977	4489	11466	23	14511	14534	0,83	0,07	2,71	8,68	10,10	10,88	0,97	0,95	16,74	18,18
	5,30	3,15	7018	4462	11480	-18	14538	14520	0,83	0,07	2,71	9,17	10,66	11,38	0,97	0,95	17,39	18,84
	5,60	3,15	7151	4530	11681	-151	14470	14319	0,83	0,07	2,66	9,83	11,43	11,68	1,02	1,00	18,18	19,63
	6,10	2,90	7301	4454	11755	-301	14546	14245	0,83	0,07	2,66	10,90	12,63	11,93	1,02	1,00	19,49	20,96

OTHER DIMENSIONS	VA: 1,53	WN: 1,40	HV ¹²⁾ : 0,93	HV ¹³⁾ : 0,90	RB: 0,79	SB: 1,82	TB ¹⁴⁾ : 2,48
------------------	----------	----------	--------------------------	--------------------------	----------	----------	--------------------------

1) GVM in conformity with registration documents.
 2) GCM in conformity with registration documents.
 3) Axle load with standard tyre size.
 4) Chassis and cab weight calculated with: Standard specification items only with 0 litres of fuel, 0 litres of AdBlue® and driver of 75 kg, tolerance ± 3%. Changing of the specification can have major impact on vehicle weight.
 5) Other AE dimensions may be available for shown WB. Modify rear overhang to the calculated body length.
 6) CB is based on standard air intake and/or exhaust.
 7) Calculate customer specific body length with TOPEC. Body lengths shown based on evenly distributed load at max axle load.

8) Unladen height at centre of driven axle (trailing axle down).
 9) Laden height at centre of driven axle(s).
 10) TK = turning circle between kerbs.
 11) TW = turning circle between walls.
 12) Unladen height at centre of front axle(s).
 13) Laden height at centre of front axle(s).
 14) TB is overall width at rear. (At centre of front axle 255).

Depending on the vehicle configuration a specific option may not be possible. The availability and specification of this vehicle may differ per country. For further information please contact the DAF organisation. Pictures and technical illustrations are not binding in detail and can differ from the standard specification. Subject to modification without prior notice.