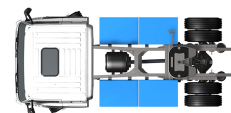


Specification sheet

# CF 210

FT 4X2 Tractor, Batt.ElectricVehicle



## ENGINES

CFBEV rnal (mbusti / No hp listing)

## GVM<sup>1)</sup>

20500 kg

Max. front 8000 kg

Max. rear 13000 kg

## GCM<sup>2)</sup>

37000 kg

991G7700AAAA - 202345D - 21-08-2023

DAF Trucks N.V., The Netherlands, [www.daf.com](http://www.daf.com)

## CAB EXTERIOR

Sleeper Cab with galvanised steel bumper, tinted glass and electric window openers. Main mirrors and wide angle mirrors electrically heated. Cab width 2300 mm.; LED daytime running lights; Electrically adjustable mirrors; Front view mirror.

### Optional

<b>01137</b> Space Cab	<b>09984</b> Fog lights and cornering lights
<b>01226</b> Cab suspension air	<b>06593</b> Skylights
<b>01174</b> External sun visor green translucent	<b>06628</b> One hazard beacon light at co-driver side
<b>00847</b> Air horns, single set	<b>06627</b> One hazard beacon light at driver side
<b>09006</b> Air horns, double set	<b>06629</b> Two hazard beacon lights
<b>09983</b> Fog lights	

## AERODYNAMICS

### Optional

<b>07840</b> Adj. roof air deflector, wide, for Sleeper Cab	<b>06776</b> Adjustable roof air deflector
<b>07841</b> Adj. roof air deflector, wide, for Space Cab	<b>04906</b> Side collars

## COLOURS

Cab colour H3279 Brilliant White; Head lamp panel and bumper: Brilliant White; Chassis colour grey..

### Optional

<b>06485</b> Head lamp panel and bumper: cab colour	<b>09933</b> Head lamp panel and bumper: Stone Grey
---	---

## CAB INTERIOR

Cab interior trim colour Dark Sand; Cab interior decoration Argenta; Driver seat: Comfort Air; Co-driver seat: basic; Lower bunk, normal level; Automatic Temperature Control and airc; Pollen filter; Roof hatch aluminium, manual control.

### Optional

<b>09271</b> Steering wheel, leather, colour black	<b>07743</b> Co-driver seat: Luxury Air
<b>07240</b> Steering wheel, leather, Exclusive	<b>07746</b> Co-driver seat: Super Air
<b>07152</b> Cab interior trim colour Exclusive	<b>07748</b> Co-driver seat: Xtra Leather Air
<b>07591</b> Cab interior decoration Rustica	<b>00967</b> Seat belts red
<b>07733</b> Driver seat: Luxury Air	<b>06539</b> Refrigerator
<b>07736</b> Driver seat: Super Air	<b>06784</b> Lower bunk mattress Xtra Comfort
<b>07737</b> Driver seat: Xtra Leather Air	<b>06676</b> PL light in cab ceiling
<b>07741</b> Co-driver seat: Comfort Air	<b>06970</b> Automatic Cab Climate Control

## COMMUNICATION AND DRIVING MANAGEMENT

Tachograph digital, Stoneridge 1C version G2V2; Speed limiter setting 85 km/h; Antennas: radio, 2x cellular, GNSS; Adaptive Cruise Control with FCW and AEBS.

### Optional

<b>09681</b> Preparation for Maut	<b>07117</b> Radio/USB player, 2 speakers
<b>08450</b> Luxury speaker system with 6 speakers	<b>09908</b> Cruise control

## SAFETY AND SECURITY

Lane Departure Warning System; Vehicle Stability Control (VSC); Basic engine immobiliser system.

### Optional

<b>08631</b> Air bag (driver) and 2 seat belt tensioners	<b>09827</b> Side camera system
<b>09828</b> Front camera system	<b>01725</b> Reverse warning

## SUSPENSION AND AXLES

Front axle load 8.00 t; Rear: 13.00 t, air suspension, HR1356.

### Optional

<b>06257</b> Front axle load 9.00 t	<b>08191</b> Axle load monitoring
<b>04647</b> Front springs air	

## WHEELS AND TYRES

Front axle(s): 315/70R22.5; Driven rear axle(s): 315/70R22.5; Disc wheels steel, silvergrey; Wheel protection rings silvergrey.

### Optional

<b>16152</b> Tyre makes and types
-----------------------------------

## DRIVELINE

No engine.; Electric motor 210 kW; Battery Electric Vehicle; Rear axle ratio 7.21; ASR.

## BRAKE SYSTEM

Park brake control with test position; Ventilated disc brakes front and drum brakes rear. Dual circuit air system with electronic control (EBS). Electric driven, water cooled air compressor..

### Optional

<b>04901</b> Spring brake cylinders on the first front axle
---

## CHASSIS

Wheelbase 3.80 m / rear overhang 0.99 m; Side member height 260 mm; Standard component location; No fuel tank; Front underrun protection (FUP); Catwalk with step; Rear mudguards; Spray suppression; Work lamp LED.

### Optional

<b>08641</b> Air tanks aluminium	<b>06306</b> Two wheel chocks
<b>03624</b> One wheel chock	<b>03322</b> Rear light with bulbs

## DRAWBAR AND TRAILER EQUIPMENT

Fifth wheel JOST type JSK42, cast iron, height 150 mm with 40 mm mounting plate. King pin diameter 2 inches.; Fifth wheel KA dimension 670 mm; Pneumatic trailer connection palm type; Electric connection 24 V / 2x7 pins.

### Optional

<b>03178</b> Towing hook D= 4.3
---------------------------------

## 24V POWER SUPPLY

No battery, no battery box, no alternator..

## GVM AND GCM

Chassis weight related technical GVM max 20500 kg; Driveline related max GCM 37000 kg class 3.

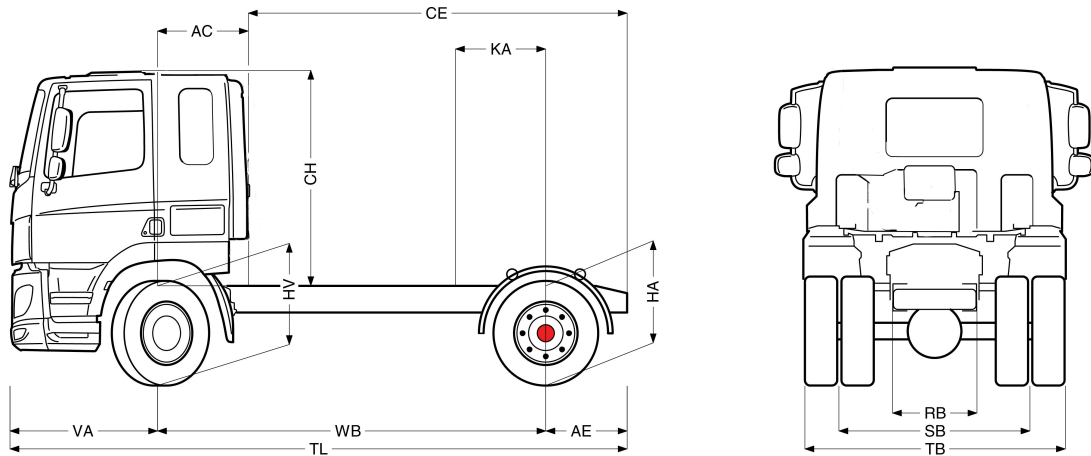
## SERVICE AND MAINTENANCE

Warranty Plus - Battery Electric Vehicle, takes care of 2 years complete vehicle (excl. real wear parts), up to 240,000 km and 1st year breakdown.; ITS service.

**Go to DAF.com to configure your own perfect DAF.**

# CF 210

FT 4X2 Tractor, Batt.ElectricVehicle



	Wheelbase - AE		Unladen weight <sup>1)</sup>			Gross Carrying Capacity			Variable dimensions								
	WB	AE <sup>5)</sup>	Front	Rear	Total	Front	Rear	Total	AC	CE	CH <sup>6)</sup>	KA <sup>7)</sup>	TL	HA <sup>8)</sup>	HA <sup>9)</sup>	TK <sup>10)</sup>	TW <sup>11)</sup>
<b>SLEEPER CAB</b>	3,80	0,99	5208	3858	9066	2792	9142	11434	0,82	3,97	1,99	0,67	6,16	0,97	0,94	13,50	14,85
<b>SPACE CAB</b>	3,80	0,99	5319	3860	9179	2681	9140	11321	0,82	3,97	2,67	0,67	6,16	0,97	0,94	13,50	14,85

<b>OTHER DIMENSIONS</b>	VA: 1,37	HV <sup>12)</sup> : 0,96	HV <sup>13)</sup> : 0,88	RB: 0,79	SB: 1,82	TB <sup>14)</sup> : 2,48
-------------------------	----------	--------------------------	--------------------------	----------	----------	--------------------------

1) GVM in conformity with registration documents.  
 2) GCM in conformity with registration documents.  
 3) Axle load with standard tyre size.  
 4) Chassis and cab weight calculated with: Standard specification items only with 0 litres of fuel, 0 litres of AdBlue® and driver of 0 kg, tolerance ± 3%. Changing of the specification can have major impact on vehicle weight.  
 5) Other AE dimensions may be available for shown WB.  
 6) Cab height is measured from frame member to closed cabin roof hatch.  
 7) Calculate customer specific KA with TOPEC.

8) Unladen height at centre of driven axle(s).  
 9) Laden height at centre of driven axle(s).  
 10) TK = turning circle between kerbs.  
 11) TW = turning circle between walls.  
 12) Unladen height at centre of front axle(s).  
 13) Laden height at centre of front axle(s).  
 14) TB is overall width at rear. (At lower cab step 255).

Depending on the vehicle configuration a specific option may not be possible. The availability and specification of this vehicle may differ per country. For further information please contact the DAF organisation. Pictures and technical illustrations are not binding in detail and can differ from the standard specification. Subject to modification without prior notice.