

Specification sheet

# CF 230

FA 4X2 Rigid



## ENGINES

- CF 230 PX-7 (172 kW / 234 hp)
- CF 260 PX-7 (194 kW / 264 hp)
- CF 290 PX-7 (217 kW / 295 hp)
- CF 320 PX-7 (239 kW / 325 hp)

## GVM<sup>1)</sup>

- 18000 kg
- Max. front 7500 kg
- Max. rear 11500 kg

## GCM<sup>2)</sup>

- 19000 kg

089F6606AAAA - 202345D - 21-08-2023

Romania, TH Trucks SRL, Cluj-Napoca, tel. +40264407700, www.thtrucks.ro

## CAB EXTERIOR

Day Cab with galvanised steel bumper, tinted glass and electric window openers. Main mirrors and wide angle mirrors electrically heated. Cab width 2300 mm.; LED daytime running lights; Electrically adjustable mirrors; Front view mirror.

### Optional

<b>02106</b> Sleeper Cab	<b>06593</b> Skylights
<b>01137</b> Space Cab	<b>06628</b> One hazard beacon light at co-driver side
<b>01174</b> External sun visor green translucent	<b>06627</b> One hazard beacon light at driver side
<b>09983</b> Fog lights	<b>06629</b> Two hazard beacon lights
<b>09984</b> Fog lights and cornering lights	

## AERODYNAMICS

### Optional

<b>04906</b> Side collars
---------------------------

## COLOURS

Cab colour H3279 Brilliant White; Head lamp panel and bumper: Brilliant White; Chassis colour grey..

### Optional

<b>06485</b> Head lamp panel and bumper: cab colour	<b>07245</b> Mirror covers Brilliant White
<b>09933</b> Head lamp panel and bumper: Stone Grey	<b>04198</b> Mirror covers in cab colour
<b>06442</b> Mirror covers grey	<b>16153</b> Cab and chassis colours

## CAB INTERIOR

Driver seat: Comfort Air; Co-driver seat: basic; Automatic Temperature Control and airco; Pollen filter; Roof hatch glass, manual control.

### Optional

<b>09271</b> Steering wheel, leather, colour black	<b>07741</b> Co-driver seat: Comfort Air
<b>07240</b> Steering wheel, leather, Exclusive	<b>07743</b> Co-driver seat: Luxury Air
<b>07152</b> Cab interior trim colour Exclusive	<b>07746</b> Co-driver seat: Super Air
<b>07592</b> Cab interior decoration Argenta	<b>07748</b> Co-driver seat: Xtra Leather Air
<b>07591</b> Cab interior decoration Rustica	<b>00967</b> Seat belts red
<b>07733</b> Driver seat: Luxury Air	<b>02117</b> Third seat
<b>07736</b> Driver seat: Super Air	<b>06539</b> Refrigerator
<b>07737</b> Driver seat: Xtra Leather Air	<b>06599</b> Auxiliary cab heater (air)

## COMMUNICATION AND DRIVING MANAGEMENT

Tachograph digital, Stoneridge 1C version G2V2; Speed limiter setting 85 km/h absolute; Antennas: radio, 2x cellular, GNSS; Adaptive Cruise Control with FCW and AEBS-3.

### Optional

<b>16155</b> Audio equipment, makes and types
---

## SAFETY AND SECURITY

Vehicle Stability Control (VSC); Basic engine immobiliser system.

### Optional

<b>01725</b> Reverse warning	<b>16156</b> EC-ADR packages
<b>07414</b> Reverse warning with self-adjusting volume	

## SUSPENSION AND AXLES

Front axle load 7.50 t; Rear: 11.50 t, air suspension, SR1132.

### Optional

<b>01800</b> Rear axle SR1344	<b>01778</b> Rear axle load 13.00 t
<b>01603</b> Rear springs parabolic	

## WHEELS AND TYRES

Front axle(s): 315/70R22.5; Driven rear axle(s): 315/70R22.5; Disc wheels steel, silvergrey; Wheel protection rings silvergrey.

### Optional

<b>16152</b> Tyre makes and types
-----------------------------------

## DRIVELINE

Engine PX-7, 6 cylinder diesel engine, 6.7 litres. Output 172 kW (234 hp) at 2300 rpm. Max. torque 900 Nm at 1000-1700 rpm.; Exhaust emission Euro 6; Engine idle shutdown, 5 minutes; Manual gearbox, 6 speeds; Gearbox ratio 6.75-0.78; Rear axle ratio 4.56.

### Optional

<b>04393</b> Manual gearbox, 9 speeds	<b>04500</b> AS Tronic gearbox, 12 speeds
<b>08834</b> AS Tronic gearbox, 6 speeds	<b>02843</b> Mechanical differential lock

## CHASSIS

Wheelbase 5.10 m / rear overhang 2.30 m; Side member height 270 mm; Plastic fuel tank 200 l; Tank for AdBlue® 25 l, right-hand side chassis; Front underrun protection (FUP); Spray suppression.

### Optional

<b>16157</b> Fuel tanks, material and sizes	<b>07071</b> Spare wheel carrier right-hand side
---	--

## DRAWBAR AND TRAILER EQUIPMENT

Closing member.

### Optional

<b>04661</b> D-value cross member D= 8.5	<b>01948</b> D-value cross member D=10
--	--

## BODIES AND PREPARATIONS FOR BODYING

Application connector on the cab front.

## POWER TAKE-OFF (PTO)

### Optional

<b>16148</b> PTO types and positions
--------------------------------------

## 24V POWER SUPPLY

Alternator 80 A, batteries 2x 125 Ah..

### Optional

<b>01897</b> Alternator 100 A	<b>08797</b> Batteries 2x175Ah
-------------------------------	--------------------------------

## GVM AND GCM

Chassis weight related technical GVM max 19000 kg; Driveline related max GCM 19000 kg.

**Optional**

- |   |   |
|---|---|
| <b>00064</b> Driveline related max GCM 22500 kg | <b>00620</b> Driveline related max GCM 28000 kg         |
| <b>02658</b> Driveline related max GCM 26000 kg | <b>03027</b> Driveline related max GCM 32000 kg class 3 |

**APPLICATION CONDITIONS**

Moisture separator, unheated; Air intake on the cab roof.

**Optional**

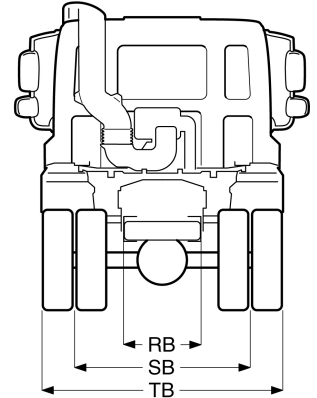
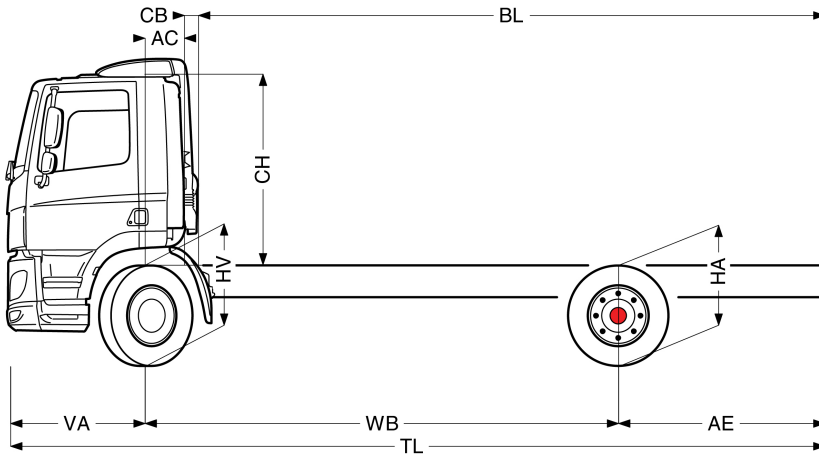
- |   |                                 |
|---|---------------------------------|
| <b>02270</b> Cold climate                       | <b>04987</b> Radiator flyscreen |
| <b>09961</b> Cyclonic air intake behind the cab |                                 |



**Go to [DAF.com](https://www.daf.com) to configure your own perfect DAF.**

# CF 230

FA 4X2 Rigid



	Wheelbase - AE		Unladen weight <sup>1)</sup>			Gross Carrying Capacity			Variable dimensions									
	WB	AE <sup>5)</sup>	Front	Rear	Total	Front	Rear	Total	AC	CB <sup>6)</sup>	CH <sup>7)</sup>	BL <sup>8)</sup>	BL	TL	HA <sup>9)</sup>	HA <sup>10)</sup>	TK <sup>11)</sup>	TW <sup>12)</sup>
DAY CAB	4,00	1,70	4122	2340	6461	3378	9160	11539	0,39	0,18	1,98	4,70	4,70	7,07	1,00	0,97	14,46	15,86
	4,15	1,85	4125	2351	6476	3375	9149	11524	0,39	0,18	1,98	4,92	4,92	7,37	1,00	0,97	14,87	16,28
	4,45	2,00	4143	2369	6512	3357	9131	11488	0,39	0,18	1,98	5,37	5,37	7,82	1,00	0,97	15,69	17,11
	4,75	2,00	4159	2368	6528	3341	9132	11472	0,39	0,18	1,98	5,82	5,82	8,12	1,00	0,97	16,51	17,94
	4,90	2,15	4162	2380	6542	3338	9120	11458	0,39	0,18	1,98	6,03	6,03	8,42	1,00	0,97	16,92	18,36
	5,10	2,30	4177	2403	6580	3323	9097	11420	0,39	0,18	1,98	6,33	6,33	8,77	1,00	0,97	17,47	18,91
	5,40	2,40	4209	2442	6651	3291	9058	11349	0,39	0,18	1,98	6,79	6,79	9,17	1,00	0,97	18,30	19,74
	5,70	2,65	4222	2476	6698	3278	9024	11302	0,39	0,18	1,98	7,23	7,23	9,72	1,00	0,97	19,12	20,58
	6,10	2,80	4237	2493	6730	3263	9007	11270	0,39	0,18	1,98	7,82	7,82	10,27	1,00	0,97	20,22	21,69
	6,60	2,85	4268	2512	6780	3232	8988	11220	0,39	0,18	1,98	8,57	8,57	10,82	1,00	0,97	21,60	23,08
6,90	3,00	4291	2550	6840	3209	8950	11160	0,39	0,18	1,98	9,02	9,02	11,27	1,00	0,97	22,43	23,91	
7,30	3,30	4299	2582	6880	3201	8918	11120	0,39	0,18	1,98	9,62	9,62	11,97	1,00	0,97	23,54	25,02	
SLEEPER CAB	4,00	1,70	4167	2348	6515	3333	9152	11485	0,82	0,16	1,98	3,90	3,90	7,07	1,00	0,96	14,46	15,86
	4,15	1,85	4171	2359	6530	3329	9141	11470	0,82	0,16	1,98	4,13	4,13	7,37	1,00	0,96	14,87	16,28
	4,45	2,00	4190	2377	6566	3310	9123	11434	0,82	0,16	1,98	4,58	4,58	7,82	1,00	0,96	15,69	17,11
	4,75	2,00	4206	2376	6582	3294	9124	11418	0,82	0,16	1,98	5,02	5,02	8,12	1,00	0,97	16,51	17,94
	4,90	2,15	4209	2387	6596	3291	9113	11404	0,82	0,16	1,98	5,24	5,24	8,42	1,00	0,96	16,92	18,36
	5,10	2,30	4224	2410	6634	3276	9090	11366	0,82	0,16	1,98	5,54	5,54	8,77	1,00	0,96	17,47	18,91
	5,40	2,40	4257	2448	6705	3243	9052	11295	0,82	0,16	1,98	5,99	5,99	9,17	1,00	0,97	18,30	19,74
	5,70	2,65	4270	2482	6752	3230	9018	11248	0,82	0,16	1,98	6,43	6,43	9,72	1,00	0,96	19,12	20,58
	6,10	2,80	4286	2499	6784	3214	9001	11216	0,82	0,16	1,98	7,04	7,04	10,27	1,00	0,97	20,22	21,69
	6,60	2,85	4317	2517	6835	3183	8983	11165	0,82	0,16	1,98	7,78	7,78	10,82	1,00	0,97	21,60	23,08
6,90	3,00	4340	2555	6895	3160	8945	11105	0,82	0,16	1,98	8,25	8,25	11,27	1,00	0,97	22,43	23,91	
7,30	3,30	4348	2586	6935	3152	8914	11065	0,82	0,16	1,98	8,84	8,84	11,97	1,00	0,97	23,54	25,02	
SPACE CAB	4,00	1,70	4280	2349	6629	3220	9151	11371	0,82	0,16	2,66	3,96	3,96	7,07	1,00	0,96	14,46	15,86
	4,15	1,85	4283	2360	6643	3217	9140	11357	0,82	0,16	2,66	4,18	4,18	7,37	1,00	0,96	14,87	16,28
	4,45	2,00	4302	2377	6680	3198	9123	11320	0,82	0,16	2,66	4,63	4,63	7,82	1,00	0,96	15,69	17,11
	4,75	2,00	4319	2376	6695	3181	9124	11305	0,82	0,16	2,66	5,08	5,08	8,12	1,00	0,97	16,51	17,94
	4,90	2,15	4322	2388	6709	3178	9112	11291	0,82	0,16	2,66	5,31	5,31	8,42	1,00	0,97	16,92	18,36
	5,10	2,30	4337	2410	6748	3163	9090	11252	0,82	0,16	2,66	5,60	5,60	8,77	1,00	0,97	17,47	18,91
	5,40	2,40	4369	2449	6818	3131	9051	11182	0,82	0,16	2,66	6,06	6,06	9,17	1,00	0,97	18,30	19,74
	5,70	2,65	4383	2482	6865	3117	9018	11135	0,82	0,16	2,66	6,52	6,52	9,72	1,00	0,97	19,12	20,58
	6,10	2,80	4398	2499	6898	3102	9001	11102	0,82	0,16	2,66	7,12	7,12	10,27	1,00	0,97	20,22	21,69
	6,60	2,85	4430	2518	6948	3070	8982	11052	0,82	0,16	2,66	7,88	7,88	10,82	1,00	0,97	21,60	23,08
6,90	3,00	4453	2555	7008	3047	8945	10992	0,82	0,16	2,66	8,34	8,34	11,27	1,00	0,97	22,43	23,91	
7,30	3,30	4461	2587	7048	3039	8913	10952	0,82	0,16	2,66	8,94	8,94	11,97	1,00	0,97	23,54	25,02	

OTHER DIMENSIONS VA: 1,37 HV<sup>13)</sup>: 1,03 HV<sup>14)</sup>: 1,01 RB: 0,79 SB: 1,83 TB<sup>15)</sup>: 2,47

- GVM in conformity with registration documents.
- GCM in conformity with registration documents.
- Axle load with standard tyre size.
- Chassis and cab weight calculated with: Standard specification items only with 200 litres of fuel, 25 litres of AdBlue® and driver of 80 kg, tolerance ± 3%. Changing of the specification can have major impact on vehicle weight.
- Other AE dimensions may be available for shown WB. Modify rear overhang to the calculated body length.
- CB is based on standard air intake and/or exhaust.
- Cab height is measured from frame member to closed cabin roof hatch.
- Calculate customer specific body length with TOPEC. Body lengths shown based on evenly distributed load at max axle load.
- Unladen height at centre of driven axle(s).
- Laden height at centre of driven axle(s).
- TK = turning circle between kerbs.
- TW = turning circle between walls.
- Unladen height at centre of front axle(s).
- Laden height at centre of front axle(s).
- TB is overall width at rear. (At lower cab step 255).

Depending on the vehicle configuration a specific option may not be possible. The availability and specification of this vehicle may differ per country. For further information please contact the DAF organisation. Pictures and technical illustrations are not binding in detail and can differ from the standard specification. Subject to modification without prior notice.