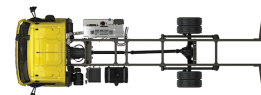


Specification sheet

XB 190

FA 4X2 Rigid, 08t



ENGINES

- XB NewGen 170 PX-5 (124 kW / 169 hp)
- XB NewGen 190 PX-5 (139 kW / 189 hp)
- XB NewGen 210 PX-5 (153 kW / 208 hp)
- XB NewGen 230 PX-7 (167 kW / 227 hp)

GVM¹⁾

7490 kg

Max. front 3600 kg

Max. rear 5000 kg

GCM²⁾

7490 kg

CAB EXTERIOR

Day Cab with steel bumper, tinted glass and electric window openers. Main mirrors and wide angle mirrors electrically heated. Cab width 2130 mm.; Electrically adjustable mirrors; Mirror brackets, body 2.50-2.60 m; Front view mirror; Rear view camera, prepared.

Optional

02576 Extended Day Cab	02083 Two hazard beacon lights LED
02106 Sleeper Cab	
01173 Cab suspension mechanical	07343 Kerb view window co-driver door
01605 Cab suspension mechanical reinforced	00915 Side no glass / rear single glass
09983 Fog lights	09101 Green tinted glass, heated
09984 Fog lights and cornering lights	03605 Mirror brackets, body 2.10-2.29 m
06629 Two hazard beacon lights	09282 Mirror brackets, body 2.30-2.40 m
	09283 Mirror brackets, body 2.40-2.50 m

AERODYNAMICS

Optional

09286 Roof air deflector prepared	07092 Adjustable roof air deflector low (set)
06776 Adjustable roof air deflector	09287 Side collars prepared
07109 Adjustable roof air deflector high (set)	07112 Side collars long (set)

COLOURS

; Head lamp panel and bumper: Stone Grey; Cab steps and wing Stone Grey; Chassis colour grey..

Optional

06485 Head lamp panel and bumper: cab colour	16153 Cab and chassis colours
01109 Cab steps and wing in cab colour	

CAB INTERIOR

Left-hand drive (LHD); Mechanically adjustable steering column; Driver seat: air suspended; Co-driver seat: fixed velour; Storage box on engine tunnel.

Optional

01847 Right-hand drive (RHD)	04346 Lower bunk, normal level
09271 Steering wheel, leather, colour black	03703 Auxiliary cab heater Air Top 2000
03516 Pneumatically adjustable steering column	04246 Roof hatch, manual control
00967 Seat belts red	04258 Roof hatch, electric control
16158 Seat types	

COMMUNICATION AND DRIVING MANAGEMENT

FMS connector, prepared; Tachograph digital, Stoneridge 1B; Driver Performance Assistant.

Optional

07706 No DAF Connect	16155 Audio equipment, makes and types
-----------------------------	---

SAFETY AND SECURITY

Speed limit recognition; DAF drowsiness detection; Drive-off Assist.

Optional

08631 Air bag (driver) and 2 seat belt tensioners	01723 No reverse warning	16156 EC-ADR packages
07414 Reverse warning with self-adjusting volume		

SUSPENSION AND AXLES

Front: 3.60 t, parabolic, F36; Rear: 5.00 t, parabolic, SR5.14.

Optional

01927 Front springs parabolic raised, Heavy Duty	00369 Rear springs parabolic, asymmetric
07368 Front springs parabolic, Heavy Duty	08031 Rear springs parabolic, Heavy Duty
01372 Rear springs air	01959 Rear springs parabolic, raised
01983 Rear springs parabolic raised, Heavy Duty	

WHEELS AND TYRES

Front axle(s): 215/75R17.5; Driven rear axle(s): 215/75R17.5; Goodyear; Wheel protection rings silvergrey.

Optional

06764 Wheel protection rings black	16152 Tyre makes and types
---	-----------------------------------

DRIVELINE

Engine PX-5, 4 cylinder diesel engine, 4.5 litres. Output 139 kW (189 hp) at 2300 rpm. Max. torque 745 Nm at 1200-1700 rpm.; Exhaust emission Euro 6; Manual gearbox, 6 speeds; Gearbox ratio 6.58-0.78; Rear axle ratio 3.31.

Optional

07667 Automatic gearbox PowerLine, 8-speed	02808 Rear axle ratio 4.56
01879 Rear axle ratio 3.73	02843 Mechanical differential lock
02800 Rear axle ratio 4.10	

BRAKE SYSTEM

Exhaust brake.

Optional

06195 Park brake control with test position	09525 Park brake ctl with test pos and spoken warning
09524 Park brake control with spoken warning	

CHASSIS

Wheelbase 3.55 m / rear overhang 1.98 m; Side member height 210 mm; EAS unit right, discharge right rearward; Battery box left, no spare wheel carrier; Plastic fuel tank 110 l; Tank for AdBlue® 30 l, right-hand side chassis; Spray suppression.

Optional

04426 Batteries left, spare wheel carrier in re overhang	02011 Spare wheel carrier in rear overhang
04439 Battery box left, spare wheel carrier right	07071 Spare wheel carrier right-hand side
01623 Rear underrun protection	03323 Rear light with LEDs

DRAWBAR AND TRAILER EQUIPMENT

Closing member.

Optional

- 06779** Cross member D85-Dc70 -V25, no coupling, mounted
- 01185** Cross member D85-Dc70 -V25, ball coupling D85, mntd
- 06657** Cross member D85-Dc70 -V25, coupling D85, mounted
- 04661** D-value cross member D=8.5

BODIES AND PREPARATIONS FOR BODYING

No BodyBuilder Module (BBM); Application connector chassis; Standard body attachment hole pattern.

Optional

- 09952** BodyBuilder Module (BBM) full
- 01502** No side marker lights
- 06691** Application connector on the cab front
- 00126** Body attachment BAM 1, consoles type B
- 02950** Application connector for hydraulic platform
- 07487** Body attachment BAM 1, loose consoles supply
- 09240** Application connector for refuse collector
- 07488** Body attachment BAM 3, loose consoles supply

POWER TAKE-OFF (PTO)

Optional

- 06624** Indirect front engine PTO
- 06282** Rear eng PTO 13h, permanent, pump drive
- 06785** Front engine PTO, generator preparation 22.5 kW
- 16148** PTO types and positions

24V POWER SUPPLY

Alternator 80 A, batteries 2x 125 Ah..

Optional

- 01897** Alternator 100 A
- 08797** Batteries 2x175Ah

GVM AND GCM

Chassis weight related technical GVM max 7490 kg; Driveline related technical GCM equal to GVM.

Optional

- 08643** Chassis weight related technical GVM max 7500 kg
- 00054** Driveline related max GCM 18000 kg
- 08644** Chassis weight related technical GVM max 8300 kg
- 03700** Driveline related technical GCM = GVM+3500 kg
- 03428** Driveline related max GCM 16000 kg

APPLICATION CONDITIONS

Moisture separator, heated; Air intake low.

Optional

- 01282** Moderate climate
- 09960** Air intake on the cab roof
- 04256** Moisture separator, unheated
- 04793** Radiator protection plate
- 04482** Air intake high behind cab

VEHICLE DELIVERY

Standard toolkit.

Optional

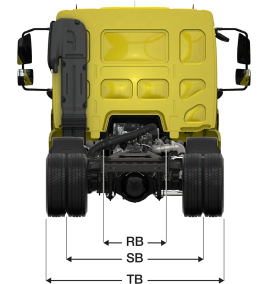
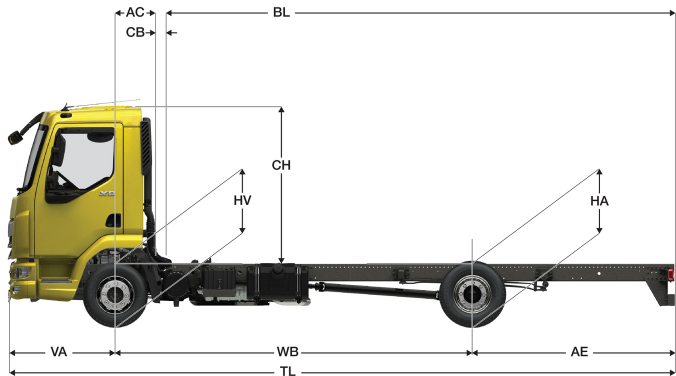
- 06491** Toolkit Eastern Europe



Go to [DAF.com](https://www.daf.com) to configure your own perfect DAF.

XB 190

FA 4X2 Rigid, 08t



	Wheelbase - AE		Unladen weight ¹⁾			Gross Carrying Capacity			Variable dimensions									
	WB	AE ⁵⁾	Front	Rear	Total	Front	Rear	Total	AC	CB ⁶⁾	CH ⁷⁾	BL ⁸⁾	BL	TL	HA ⁹⁾	HA ¹⁰⁾	TK ¹¹⁾	TW ¹²⁾
DAY CAB	3,15	1,73	2395	726	3121	1205	4274	4369	0,33	0,12	1,84	3,66	5,26	6,16	1,02	0,89	10,81	12,15
	3,55	1,98	2397	742	3139	1203	4258	4351	0,33	0,12	1,84	4,24	6,04	6,81	1,02	0,89	11,78	13,14
	3,90	2,23	2399	756	3156	1201	4244	4335	0,33	0,12	1,84	4,74	6,73	7,41	1,02	0,89	12,63	14,01
	4,30	2,43	2410	779	3188	1190	4221	4302	0,33	0,12	1,84	5,33	7,53	8,01	1,01	0,89	13,61	15,01
	4,65	2,75	2415	801	3216	1185	4199	4274	0,33	0,12	1,84	5,83	8,22	8,68	1,01	0,89	14,47	15,88
	5,00	2,83	2424	808	3232	1176	4192	4258	0,33	0,12	1,84	6,34	8,94	9,11	1,01	0,89	15,33	16,75
	5,40	2,43	2444	795	3238	1156	4205	4252	0,33	0,12	1,84	6,97	9,78	9,11	1,01	0,90	16,31	17,75
SLEEPER CAB	WB	AE ⁵⁾	Front	Rear	Total	Front	Rear	Total	AC	CB ⁶⁾	CH ⁷⁾	BL ⁸⁾	BL	TL	HA ⁹⁾	HA ¹⁰⁾	TK ¹¹⁾	TW ¹²⁾
	3,55	1,98	2503	759	3263	1097	4241	4227	0,73	0,00	1,94	3,81	5,66	6,81	1,02	0,89	11,78	13,14
	3,90	2,23	2507	772	3279	1093	4228	4211	0,73	0,00	1,94	4,32	6,37	7,41	1,01	0,89	12,63	14,01
	4,30	2,43	2519	793	3312	1081	4207	4178	0,73	0,00	1,94	4,92	7,20	8,01	1,01	0,89	13,61	15,01
	4,65	2,75	2525	814	3340	1075	4186	4151	0,73	0,00	1,94	5,43	7,92	8,68	1,01	0,89	14,47	15,88
	5,00	2,83	2535	820	3356	1065	4180	4135	0,73	0,00	1,94	5,97	8,64	9,11	1,01	0,89	15,32	16,75
	5,40	2,43	2556	806	3362	1044	4194	4128	0,73	0,00	1,94	6,61	9,51	9,11	1,01	0,90	16,31	17,75

OTHER DIMENSIONS VA: 1,28 HV¹³⁾: 0,90 HV¹⁴⁾: 0,86 RB: 0,86 SB: 1,74 TB¹⁵⁾: 2,28

- GVM in conformity with registration documents.
- GCM in conformity with registration documents.
- Axle load with standard tyre size.
- Chassis and cab weight calculated with: Standard specification items only with 110 litres of fuel, 30 litres of AdBlue® and driver of 80 kg, tolerance ± 3%. Changing of the specification can have major impact on vehicle weight.
- Other AE dimensions may be available for shown WB. Modify rear overhang to the calculated body length.
- CB is based on standard air intake and/or exhaust.
- Cab height is measured from frame member to closed cabin roof hatch.
- Calculate customer specific body length with TOPEC. Body lengths shown based on evenly distributed load at max axle load.
- Unladen height at centre of driven axle(s).
- Laden height at centre of driven axle(s).
- TK = turning circle between kerbs.
- TW = turning circle between walls.
- Unladen height at centre of front axle(s).
- Laden height at centre of front axle(s).
- TB is overall width at rear. (At centre of front axle 255).

Depending on the vehicle configuration a specific option may not be possible. The availability and specification of this vehicle may differ per country. For further information please contact the DAF organisation. Pictures and technical illustrations are not binding in detail and can differ from the standard specification. Subject to modification without prior notice.