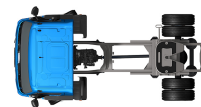


Specification sheet

LF 230

FT 4X2 Tractor, 13t



ENGINES

LF 230 PX-7 (167 kW / 227 hp)

LF 260 PX-7 (189 kW / 257 hp)

LF 290 PX-7 (212 kW / 287 hp)

GVM¹⁾

13000 kg

Max. front 4500 kg

Max. rear 9400 kg

GCM²⁾

21000 kg

067G4602AAAA - 202345C - 21-08-2023

Greece, ERGOTRAK, www.daftrucks.gr

CAB EXTERIOR

Day Cab with steel bumper, tinted glass and electric window openers. Main mirrors and wide angle mirrors electrically heated. Cab width 2130 mm.; Electrically adjustable mirrors; Mirror brackets, body 2.50-2.60 m; Front view mirror.

Optional

02576 Extended Day Cab	07343 Kerb view window co-driver door
02106 Sleeper Cab	
09983 Fog lights	09282 Mirror brackets, body 2.30-2.40 m
09984 Fog lights and cornering lights	09283 Mirror brackets, body 2.40-2.50 m

AERODYNAMICS

Optional

09287 Side collars prepared	07112 Side collars long (set)
------------------------------------	--------------------------------------

COLOURS

; Head lamp panel and bumper: Stone Grey; Chassis colour grey..

Optional

06485 Head lamp panel and bumper: cab colour	16153 Cab and chassis colours
---	--------------------------------------

CAB INTERIOR

Left-hand drive (LHD); Mechanically adjustable steering column; Driver seat: air suspended; Co-driver seat: fixed velour; Storage box on engine tunnel; No air conditioning.

Optional

01847 Right-hand drive (RHD)	03703 Auxiliary cab heater Air Top 2000
09271 Steering wheel, leather, colour black	04246 Roof hatch, manual control
03516 Pneumatically adjustable steering column	04258 Roof hatch, electric control
04346 Lower bunk, normal level	

COMMUNICATION AND DRIVING MANAGEMENT

FMS connector, prepared; Tachograph digital, Stoneridge 1C version G2V2.

Optional

16155 Audio equipment, makes and types

SAFETY AND SECURITY

Vehicle Stability Control (VSC); Basic engine immobiliser system.

Optional

08631 Air bag (driver) and 2 seat belt tensioners	07414 Reverse warning with self-adjusting volume
01725 Reverse warning	16156 EC-ADR packages

SUSPENSION AND AXLES

Front axle type F60. Parabolic leaf suspension with shock absorbers and stabiliser. Max. load 4.5 tonnes.; Single reduction driven rear axle type SR10.26 with adjustable electronically controlled 4-bellow air suspension, including shock absorbers and stabiliser. Max. load 9.8 tonnes..

WHEELS AND TYRES

Front axle(s): 265/70R19.5; Driven rear axle(s): 265/70R19.5; Wheel protection rings silvergrey.

Optional

16152 Tyre makes and types

DRIVELINE

Engine PX-7, 6 cylinder diesel engine, 6.7 litres. Output 167 kW (227 hp) at 1900 rpm. Max. torque 890 Nm at 1000-1700 rpm.; Exhaust emission Euro 6; Manual gearbox, 6 speeds; Gearbox ratio 6.75-0.78; Rear axle ratio 4.56.

Optional

04393 Manual gearbox, 9 speeds	02313 Gearbox direct drive
07667 Automatic gearbox PowerLine, 8-speed	

BRAKE SYSTEM

Exhaust brake.

CHASSIS

Wheelbase 3.50 m / rear overhang 0.83 m; Side member height 270 mm; EAS unit right, discharge right rearward; Plastic fuel tank 170 l; Tank for AdBlue® 30 l, right-hand side chassis; Front underrun protection (FUP); Catwalk with step, extra long; Spray suppression.

Optional

03323 Rear light with LEDs

DRAWBAR AND TRAILER EQUIPMENT

Pneumatic trailer connection palm type; Electric connection 24 V / 2x7 pins.

POWER TAKE-OFF (PTO)

Optional

16148 PTO types and positions

24V POWER SUPPLY

Alternator 80 A, batteries 2x 125 Ah..

Optional

01897 Alternator 100 A	08797 Batteries 2x175Ah
-------------------------------	--------------------------------

GVM AND GCM

Chassis weight related technical GVM max 13000 kg; Driveline related max GCM 21000 kg.

Optional

00738 Driveline related max GCM 24000 kg	00620 Driveline related max GCM 28000 kg
02658 Driveline related max GCM 26000 kg	

APPLICATION CONDITIONS

Moisture separator, unheated; Air intake high behind cab.

Optional

02270 Cold climate	04987 Radiator flyscreen
04767 Moisture separator, heated	

SERVICE AND MAINTENANCE

Warranty Plus - Driveline, takes care of 1 year complete vehicle as supplied by the OEM (excl. real wear parts), 2nd and 3rd year driveline up to 200,000 km and 1st year breakdown.; ITS service.

VEHICLE DELIVERY

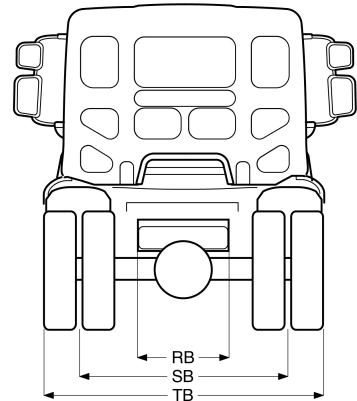
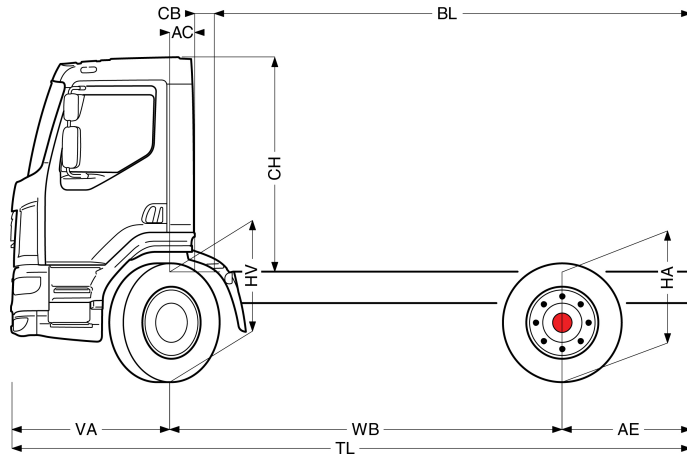
Standard toolkit.



Go to [DAF.com](https://www.daf.com) to configure your own perfect DAF.

LF 230

FT 4X2 Tractor, 13t



	Wheelbase - AE		Unladen weight ¹⁾			Gross Carrying Capacity			Variable dimensions								
	WB	AE ⁵⁾	Front	Rear	Total	Front	Rear	Total	AC	CE	CH	KA ⁶⁾	TL	HA ⁷⁾	HA ⁸⁾	TK ⁹⁾	TW ¹⁰⁾
DAY CAB	3,13	0,83	3016	1349	4365	1484	8051	8635	0,28	3,68	1,88	0,00	5,29	1,00	0,98	11,53	12,67
	3,50	0,83	3035	1372	4407	1465	8028	8593	0,28	4,05	1,88	0,00	5,66	1,00	0,98	12,48	13,65
SLEEPER CAB	3,13	0,83	3156	1336	4492	1344	8064	8508	0,68	3,28	1,88	0,00	5,29	1,00	0,98	11,53	12,67
	3,50	0,83	3174	1360	4534	1326	8040	8466	0,68	3,65	1,88	0,00	5,66	1,00	0,98	12,48	13,65

OTHER DIMENSIONS VA: 1,33 HV¹¹⁾: 0,96 HV¹²⁾: 0,83 RB: 0,79 SB: 1,75 TB¹³⁾: 2,35

1) GVM in conformity with registration documents.
 2) GCM in conformity with registration documents.
 3) Axle load with standard tyre size.
 4) Chassis and cab weight calculated with: Standard specification items only with 0 litres of fuel, 0 litres of AdBlue® and driver of 75 kg, tolerance ± 3%. Changing of the specification can have major impact on vehicle weight.
 5) Other AE dimensions may be available for shown WB.
 6) Calculate customer specific KA with TOPEC.

7) Unladen height at centre of driven axle(s).
 8) Laden height at centre of driven axle(s).
 9) TK = turning circle between kerbs.
 10) TW = turning circle between walls.
 11) Unladen height at centre of front axle(s).
 12) Laden height at centre of front axle(s).
 13) TB is overall width at rear. (At centre of front axle 255).

Depending on the vehicle configuration a specific option may not be possible. The availability and specification of this vehicle may differ per country. For further information please contact the DAF organisation. Pictures and technical illustrations are not binding in detail and can differ from the standard specification. Subject to modification without prior notice.

067G4602AAAA - 202345C - 21-08-2023