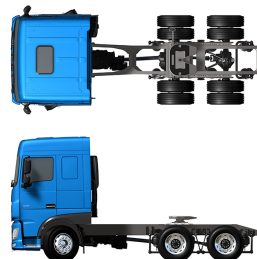


Specification sheet

XF 430

FTT 6X4 Tractor



ENGINES

- XF 430 MX-13 (315 kW / 428 hp)
- XF 480 MX-13 (355 kW / 483 hp)
- XF 530 MX-13 (390 kW / 530 hp)

GVM¹⁾

- 26000 kg
- Max. front 7000 kg
- Max. rear 20000 kg

GCM²⁾

- 44000 kg

067GG0749AAAA - 202345C - 21-08-2023

Greece, ERGOTRAK, www.daftrucks.gr

CAB EXTERIOR

Space Cab with galvanised steel bumper, tinted glass and electric window openers. Main mirrors and wide angle mirrors electrically heated. Cab width 2490 mm.; Cab suspension mechanical; LED daytime running lights; Front view mirror; Central door lock system, 2 keys, 2 RC units.

Optional

03710 Comfort Cab	08020 LED head lights
01760 Super Space Cab	09982 No auxiliary lights in the bumper
01226 Cab suspension air	09984 Fog lights and cornering lights
01174 External sun visor green translucent	06593 Skylights
06790 Aluminium ladder 1-piece	06628 One hazard beacon light at co-driver side
06791 Aluminium ladder 2-piece	06627 One hazard beacon light at driver side
00847 Air horns, single set	06629 Two hazard beacon lights
09006 Air horns, double set	

AERODYNAMICS

Optional

08823 Adj. roof air deflector Space Cab; over 4 m (!)	06904 Fixed rf deflector; total height over 4 m
06776 Adjustable roof air deflector	07401 Winding handle for roof air deflector
08822 Adj. roof air deflector for Space Cab	04906 Side collars
06160 Fixed roof air deflector for Super Space Cab	

COLOURS

Cab colour H3279 Brilliant White; Head lamp panel and bumper: Brilliant White; Chassis colour grey..

CAB INTERIOR

Cab interior trim colour Dark Sand; Cab interior decoration Delta black; Driver seat: Comfort Air; Co-driver seat: basic; Lower bunk without drawer; Luggage carrier; Automatic Temperature Control and airco; Auxiliary cab heater (water); Pollen filter.

Optional

07152 Cab interior trim colour Exclusive	07748 Co-driver seat: Xtra Leather Air
07592 Cab interior decoration Argenta	00967 Seat belts red
07591 Cab interior decoration Rustica	06539 Refrigerator
07733 Driver seat: Luxury Air	09603 Lower bunk with drawer 65 litres
07736 Driver seat: Super Air	06784 Lower bunk mattress Xtra Comfort
07737 Driver seat: Xtra Leather Air	01065 No upper bunk / no luggage carrier
07741 Co-driver seat: Comfort Air	01066 Upper bunk
07743 Co-driver seat: Luxury Air	06676 PL light in cab ceiling
07746 Co-driver seat: Super Air	06970 Automatic Cab Climate Control

COMMUNICATION AND DRIVING MANAGEMENT

Tachograph digital, Stoneridge 1C version G2V2; Speed limiter setting 85 km/h; Eco off 90 km/h; Antennas: radio, 2x cellular, GNSS; Adaptive Cruise Control with FCW and AEBS-3; Driver Performance Assistant.

Optional

09681 Preparation for Maut	06991 Predictive Cruise Control
07117 Radio/USB player, 2 speakers	06992 Predictive Cruise Control lite

SAFETY AND SECURITY

Lane Departure Warning System; Vehicle Stability Control (VSC); Basic engine immobiliser system.

Optional

08631 Air bag (driver) and 2 seat belt tensioners	09828 Front camera system
07011 DAF Night Lock	09827 Side camera system
02178 Main switch with second control in the cab	01725 Reverse warning

SUSPENSION AND AXLES

Front axle load 8.00 t; Rear: 2x 10.50 t, air suspension, SR1360T.

Optional

06257 Front axle load 9.00 t	04563 Rear axle load 13.00+ 13.00 t
07494 Rear axle HR1670T	
01601 Rear springs trapezium	08191 Axle load monitoring

WHEELS AND TYRES

Front axle(s): 315/80R22.5; Driven rear axle(s): 315/80R22.5; Second driven rear or trailing axle: 315/80R22.5; Disc wheels steel, silvergrey; Wheel protection rings silvergrey.

Optional

16152 Tyre makes and types

DRIVELINE

Engine MX-13, multi torque 6 cylinder diesel engine, 12.9 litres. Output 315 kW (428 hp) at 1600 rpm. Maximum torque 2300 Nm at 900-1125 rpm.; Exhaust emission Euro 6; Engine idle shutdown, 5 minutes; Automated gearbox, TraXon, 12 speeds; Gearbox ratio 16.69-1.00; Rear axle ratio 2.83; ASR.

Optional

04523 Manual gearbox, 16 speeds	02314 Gearbox overdrive
07103 Automated gearbox, TraXon, 16 speeds	

BRAKE SYSTEM

Exhaust brake; Park brake control with test position; Ventilated disc brakes front and rear. Dual circuit air system with electronic control (EBS). Twin cylinder air compressor with heated dryer and economy mode..

Optional

09921 MX Engine Brake	02715 ZF Intarder
------------------------------	--------------------------

CHASSIS

Wheelbase 3.90 m / rear overhang 1.65 m; Side member height 310 mm; Exhaust pipe horizontal, low; Battery box behind the cab, no spare wheel carrier; Alu fuel tank 510 l with step, height 620 mm; Tank for AdBlue® 90 l, on left-hand mudguard; Front underrun protection (FUP); Catwalk with step; Rear mudguards; Spray suppression; Work lamp LED.

Optional

06611 Exhaust pipe vertical, high	03055 Vert battery box right, no spare wheel carrier
02253 Hor battery box left, no spare wheel carrier	16157 Fuel tanks, material and sizes
03135 Vert battery box left, no spare wheel carrier	03323 Rear light with LEDs

DRAWBAR AND TRAILER EQUIPMENT

Fifth wheel JOST type JSK37C cast iron, height 250 mm with 26 mm mounting plate. King pin diameter 2 inches.; Fifth wheel KA dimension 372.5 mm; Pneumatic trailer connection palm type; Electric connection 24 V / 2x7 pins; Trailer connection storage box.

Optional

03178 Towing hook D= 4.3 **16151** 5th wheel makes and heights

POWER TAKE-OFF (PTO)

Optional

16148 PTO types and positions

24V POWER SUPPLY

Alternator 80 A, batteries 2x 230 Ah..

Optional

06460 Alternator 120 A **07671** Batteries 2x210Ah AGM C-type
08775 Alternator 150 A

GVM AND GCM

Chassis weight related technical GVM max 27000 kg; Driveline related max GCM 61000 kg class 2.

Optional

00778 Driveline related max GCM 58000 kg class 2 **01313** Driveline related max GCM 70000 kg class 2
00818 Driveline related max GCM 60000 kg class 3 **02135** Driveline related max GCM 71000 kg class 2
06280 Driveline related max GCM 63000 kg class 2 **02143** Driveline related max GCM 78000 kg class 2

APPLICATION CONDITIONS

Air intake high.

Optional

03646 Air intake front **03648** Cyclonic air intake high

SERVICE AND MAINTENANCE

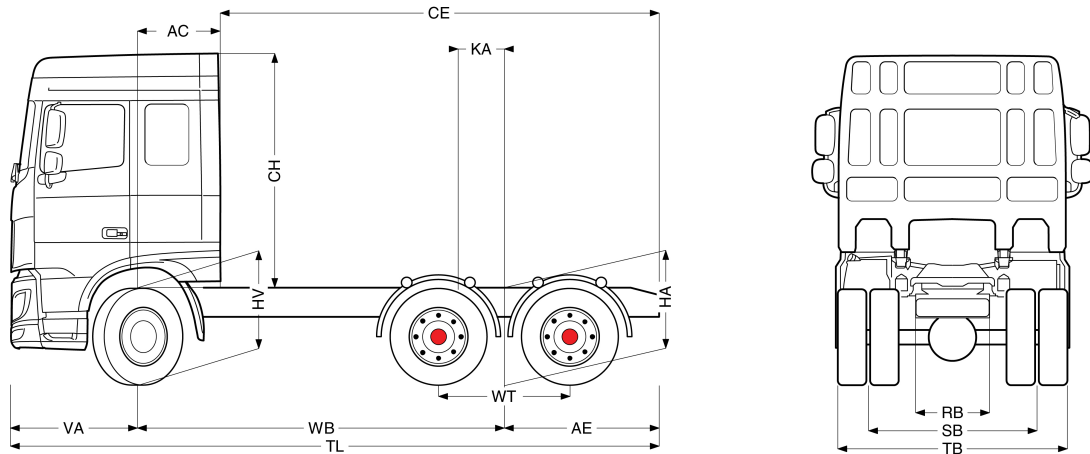
Warranty Plus - Driveline, takes care of 1 year complete vehicle as supplied by the OEM (excl. real wear parts), 2nd and 3rd year driveline up to 300,000 km and 1st year breakdown.; ITS service.



Go to [DAF.com](https://www.daf.com) to configure your own perfect DAF.

XF 430

FTT 6X4 Tractor



	Wheelbase - AE		Unladen weight ¹⁾			Gross Carrying Capacity			Variable dimensions								
	WB	AE ⁵⁾	Front	Rear	Total	Front	Rear	Total	AC	CE	CH	KA ⁶⁾	TL	HA ⁷⁾	HA ⁸⁾	TK ⁹⁾	TW ¹⁰⁾
SPACE CAB	3,90	1,65	5182	3885	9067	1818	16115	16933	0,88	4,67	2,51	0,37	6,92	1,06	1,03	13,76	15,13
	4,55	1,65	5213	3962	9175	1787	16038	16825	0,88	5,32	2,51	0,37	7,57	1,06	1,04	15,45	16,84
SUPER SPACE CAB	3,90	1,65	5258	3884	9142	1742	16116	16858	0,88	4,67	2,89	0,37	6,92	1,06	1,03	13,76	15,13
	4,55	1,65	5289	3962	9251	1711	16038	16749	0,88	5,32	2,89	0,37	7,57	1,06	1,04	15,45	16,84

OTHER DIMENSIONS VA: 1,37 WT: 1,40 HV¹¹⁾: 1,05 HV¹²⁾: 1,01 RB: 0,79 SB: 1,82 TB¹³⁾: 2,48

1) GVM in conformity with registration documents.
 2) GCM in conformity with registration documents.
 3) Axle load with standard tyre size.
 5) Other AE dimensions may be available for shown WB.
 6) Calculate customer specific KA with TOPEC.

7) Unladen height at centre of driven axle(s).
 8) Laden height at centre of driven axle(s).
 9) TK = turning circle between kerbs.
 10) TW = turning circle between walls.
 11) Unladen height at centre of front axle(s).
 12) Laden height at centre of front axle(s).
 13) TB is overall width at rear. (At centre of front axle 255).

Depending on the vehicle configuration a specific option may not be possible. The availability and specification of this vehicle may differ per country. For further information please contact the DAF organisation. Pictures and technical illustrations are not binding in detail and can differ from the standard specification. Subject to modification without prior notice.