

Specification sheet

XF 450

FA 4X2 Rigid, Low Deck



ENGINES

- XF 450 MX-11 (330 kW / 449 hp)
- XF 430 MX-13 (315 kW / 428 hp)
- XF 480 MX-13 (355 kW / 483 hp)
- XF 530 MX-13 (390 kW / 530 hp)

GVM¹⁾

- 18500 kg
- Max. front 7000 kg
- Max. rear 11500 kg

GCM²⁾

- 44000 kg

067F0709BAAA - 202345C - 21-08-2023

Greece, ERGOTRAK, www.daftrucks.gr

CAB EXTERIOR

Space Cab with galvanised steel bumper, tinted glass and electric window openers. Main mirrors and wide angle mirrors electrically heated. Cab width 2490 mm.; Cab suspension mechanical; LED daytime running lights; Front view mirror; Central door lock system, 2 keys, 2 RC units.

Optional

| | |
|---|--|
| 03710 Comfort Cab | 09982 No auxiliary lights in the bumper |
| 01760 Super Space Cab | 09984 Fog lights and cornering lights |
| 01226 Cab suspension air | 06593 Skylights |
| 01174 External sun visor green translucent | 06628 One hazard beacon light at co-driver side |
| 00847 Air horns, single set | 06627 One hazard beacon light at driver side |
| 09006 Air horns, double set | 06629 Two hazard beacon lights |
| 08020 LED head lights | |

AERODYNAMICS

Optional

| | |
|--|---|
| 08823 Adj. roof air deflector Space Cab; over 4 m (!) | 06160 Fixed roof air deflector for Super Space Cab |
| 06776 Adjustable roof air deflector | 06904 Fixed rf deflector; total height over 4 m |
| 08822 Adj. roof air deflector for Space Cab | 04906 Side collars |

COLOURS

Cab colour H3279 Brilliant White; Head lamp panel and bumper: Brilliant White; Chassis colour grey..

Optional

| | |
|---|---|
| 07801 Cab steps and wing in cab colour | 07901 Air intake grid cab colour |
|---|---|

CAB INTERIOR

Cab interior trim colour Dark Sand; Cab interior decoration Delta black; Driver seat: Comfort Air; Co-driver seat: basic; Lower bunk without drawer; Automatic Temperature Control and aircro; Auxiliary cab heater (water); Pollen filter.

Optional

| | |
|--|---|
| 09271 Steering wheel, leather, colour black | 07743 Co-driver seat: Luxury Air |
| 07240 Steering wheel, leather, Exclusive | 07746 Co-driver seat: Super Air |
| 07152 Cab interior trim colour Exclusive | 07748 Co-driver seat: Xtra Leather Air |
| 07592 Cab interior decoration Argenta | 00967 Seat belts red |
| 07591 Cab interior decoration Rustica | 06539 Refrigerator |
| 07733 Driver seat: Luxury Air | 09603 Lower bunk with drawer 65 litres |
| 07736 Driver seat: Super Air | 06784 Lower bunk mattress Xtra Comfort |
| 07737 Driver seat: Xtra Leather Air | 06676 PL light in cab ceiling |
| 07741 Co-driver seat: Comfort Air | 06970 Automatic Cab Climate Control |

COMMUNICATION AND DRIVING MANAGEMENT

Tachograph digital, Stoneridge 1C version G2V2; Speed limiter setting 85 km/h; Eco off 90 km/h; Antennas: radio, 2x cellular, GNSS; Adaptive Cruise Control with FCW and AEBS-3.

Optional

| | |
|---|---|
| 09681 Preparation for Maut | 06991 Predictive Cruise Control |
| 07117 Radio/USB player, 2 speakers | 06992 Predictive Cruise Control lite |

SAFETY AND SECURITY

Lane Departure Warning System; Vehicle Stability Control (VSC); Basic engine immobiliser system.

Optional

| | |
|--|---------------------------------|
| 08631 Air bag (driver) and 2 seat belt tensioners | 09827 Side camera system |
| 07011 DAF Night Lock | 01725 Reverse warning |
| 09828 Front camera system | |

SUSPENSION AND AXLES

Front axle load 8.00 t; Rear: 11.50 t, air suspension, SR1344.

Optional

| | |
|-------------------------------|-----------------------------------|
| 04588 Rear axle SR1347 | 08191 Axle load monitoring |
|-------------------------------|-----------------------------------|

WHEELS AND TYRES

Front axle(s): 315/60R22.5; Driven rear axle(s): 295/60R22.5; Disc wheels steel, silvergrey; Wheel protection rings silvergrey.

Optional

| |
|-----------------------------------|
| 16152 Tyre makes and types |
|-----------------------------------|

DRIVELINE

Engine MX-11, multi torque 6 cylinder diesel engine, 10.8 litres. Output 330 kW (449 hp) at 1600 rpm. Maximum torque 2300 Nm at 900-1125 rpm.; Exhaust emission Euro 6; Engine idle shutdown, 5 minutes; Automated gearbox, TraXon, 12 speeds; Gearbox ratio 16.69-1.00; Rear axle ratio 2.05.

Optional

| | |
|---|--------------------------------|
| 04523 Manual gearbox, 16 speeds | 02314 Gearbox overdrive |
| 07103 Automated gearbox, TraXon, 16 speeds | |

BRAKE SYSTEM

Exhaust brake; Ventilated disc brakes front and rear. Dual circuit air system with electronic control (EBS). Twin cylinder air compressor with heated dryer and economy mode..

Optional

| | |
|------------------------------|--------------------------|
| 09921 MX Engine Brake | 02715 ZF Intarder |
|------------------------------|--------------------------|

CHASSIS

Wheelbase 4.90 m / rear overhang 2.35 m; Side member height 260 mm; Standard component location; Exhaust pipe horizontal, low; Aluminium fuel tank 450 l, height 505 mm; Tank for AdBlue® 75 l, left-hand side chassis; Front underrun protection (FUP); Spray suppression.

Optional

| | |
|--|-----------------------------------|
| 07071 Spare wheel carrier right-hand side | 03323 Rear light with LEDs |
|--|-----------------------------------|

DRAWBAR AND TRAILER EQUIPMENT

D-value cross member D=13.7; Pneumatic trailer connection palm type; Electric connection 24 V / 2x7 pins.

Optional

- 07033** Trailer coupling Ringfeder D=13.7 **08027** Trailer coupling Rockinger D=20.0
- 07034** Trailer coupling Ringfeder D=20.0 **04659** Trailer cable EBS
- 08026** Trailer coupling Rockinger D=13.0

BODIES AND PREPARATIONS FOR BODYING

Application connector on the cab front.

Optional

- 06692** Application connector chassis **02597** Application connector for tail lift control

POWER TAKE-OFF (PTO)

Optional

- 16148** PTO types and positions

24V POWER SUPPLY

Alternator 80 A, batteries 2x 230 Ah..

Optional

- 06460** Alternator 120 A **07671** Batteries 2x210Ah AGM C-type
- 08775** Alternator 150 A

GVM AND GCM

Chassis weight related technical GVM max 19500 kg; Driveline related max GCM 50000 kg class 3.

Optional

- 03673** Driveline related max GCM 44000 kg class 2

APPLICATION CONDITIONS

Air intake front.

Optional

- 08400** Silent mode **03648** Cyclonic air intake high
- 03647** Air intake high

SERVICE AND MAINTENANCE

Warranty Plus - Driveline, takes care of 1 year complete vehicle as supplied by the OEM (excl. real wear parts), 2nd and 3rd year driveline up to 500,000 km and 1st year breakdown.; ITS service.

Optional

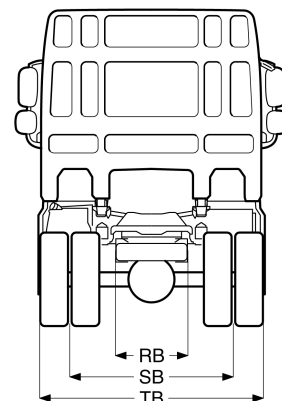
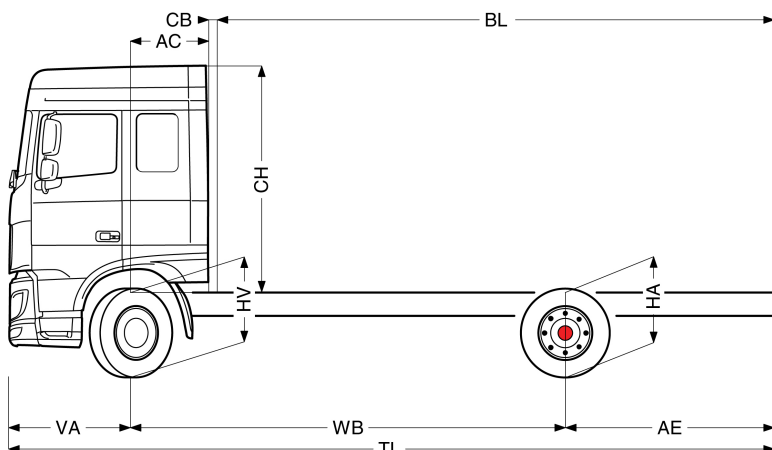
- 08311** Service interval extended



Go to [DAF.com](https://www.daf.com) to configure your own perfect DAF.

XF 450

FA 4X2 Rigid, Low Deck



| | Wheelbase - AE | | Unladen weight ¹⁾ | | | Gross Carrying Capacity | | | Variable dimensions | | | | | | | | | |
|-----------------|----------------|------------------|------------------------------|------|-------|-------------------------|------|-------|---------------------|------------------|------------------|------------------|------|-------|------------------|-------------------|-------------------|-------------------|
| | WB | AE ⁵⁾ | Front | Rear | Total | Front | Rear | Total | AC | CB ⁶⁾ | CH ⁷⁾ | BL ⁸⁾ | BL | TL | HA ⁹⁾ | HA ¹⁰⁾ | TK ¹¹⁾ | TW ¹²⁾ |
| SPACE CAB | 4,90 | 2,35 | 5025 | 1941 | 6966 | 1975 | 9559 | 11534 | 0,88 | 0,10 | 2,56 | 5,82 | 5,82 | 8,62 | 0,88 | 0,88 | 16,34 | 17,75 |
| | 5,40 | 2,65 | 5030 | 1981 | 7011 | 1970 | 9519 | 11489 | 0,88 | 0,10 | 2,56 | 6,62 | 6,62 | 9,42 | 0,88 | 0,88 | 17,65 | 19,07 |
| | 5,70 | 2,85 | 5077 | 2078 | 7155 | 1923 | 9422 | 11345 | 0,88 | 0,10 | 2,56 | 7,11 | 7,11 | 9,92 | 0,88 | 0,88 | 18,43 | 19,87 |
| | 6,10 | 3,10 | 5088 | 2122 | 7210 | 1912 | 9378 | 11290 | 0,88 | 0,10 | 2,56 | 7,75 | 7,75 | 10,57 | 0,88 | 0,88 | 19,48 | 20,92 |
| SUPER SPACE CAB | 4,90 | 2,35 | 5100 | 1942 | 7042 | 1900 | 9558 | 11458 | 0,88 | 0,10 | 2,94 | 5,87 | 5,87 | 8,62 | 0,88 | 0,88 | 16,34 | 17,75 |
| | 5,40 | 2,65 | 5105 | 1981 | 7087 | 1895 | 9519 | 11413 | 0,88 | 0,10 | 2,94 | 6,67 | 6,67 | 9,42 | 0,88 | 0,88 | 17,65 | 19,07 |
| | 5,70 | 2,85 | 5152 | 2079 | 7231 | 1848 | 9421 | 11269 | 0,88 | 0,10 | 2,94 | 7,17 | 7,17 | 9,92 | 0,88 | 0,88 | 18,43 | 19,87 |
| | 6,10 | 3,10 | 5164 | 2122 | 7286 | 1836 | 9378 | 11214 | 0,88 | 0,10 | 2,94 | 7,82 | 7,82 | 10,57 | 0,88 | 0,88 | 19,48 | 20,92 |

OTHER DIMENSIONS VA: 1,37 HV¹³⁾: 0,89 HV¹⁴⁾: 0,88 RB: 0,79 SB: 1,82 TB¹⁵⁾: 2,46

1) GVM in conformity with registration documents.
 2) GCM in conformity with registration documents.
 3) Axle load with standard tyre size.
 5) Other AE dimensions may be available for shown WB. Modify rear overhang to the calculated body length.
 6) CB is based on standard air intake and/or exhaust.
 7) Cab height is measured from frame member to closed cabin roof hatch.

8) Calculate customer specific body length with TOPEC. Body lengths shown based on evenly distributed load at max axle load.
 9) Unladen height at centre of driven axle(s).
 10) Laden height at centre of driven axle(s).
 11) TK = turning circle between kerbs.
 12) TW = turning circle between walls.
 13) Unladen height at centre of front axle(s).
 14) Laden height at centre of front axle(s).
 15) TB is overall width at rear. (At centre of front axle 255).

Depending on the vehicle configuration a specific option may not be possible. The availability and specification of this vehicle may differ per country. For further information please contact the DAF organisation. Pictures and technical illustrations are not binding in detail and can differ from the standard specification. Subject to modification without prior notice.