

Specification sheet

CF 230

FA 4X2 Rigid



ENGINES

- CF 230 PX-7 (172 kW / 234 hp)
- CF 260 PX-7 (194 kW / 264 hp)
- CF 290 PX-7 (217 kW / 295 hp)
- CF 320 PX-7 (239 kW / 325 hp)

GVM¹⁾

- 18000 kg
- Max. front 7500 kg
- Max. rear 11500 kg

GCM²⁾

- 19000 kg

090F6606AAAA - 202345D - 21-08-2023

Bosnia-Herzegovina, LOGISTICS IM doo Žepče, www.daf.com

CAB EXTERIOR

Day Cab with galvanised steel bumper, tinted glass and electric window openers. Main mirrors and wide angle mirrors electrically heated. Cab width 2300 mm.; LED daytime running lights; Electrically adjustable mirrors; Front view mirror.

Optional

02106 Sleeper Cab	06593 Skylights
01137 Space Cab	06628 One hazard beacon light at co-driver side
01174 External sun visor green translucent	06627 One hazard beacon light at driver side
09983 Fog lights	06629 Two hazard beacon lights
09984 Fog lights and cornering lights	

AERODYNAMICS

Optional

04906 Side collars

COLOURS

Cab colour H3279 Brilliant White; Head lamp panel and bumper: Brilliant White; Chassis colour grey..

Optional

06485 Head lamp panel and bumper: cab colour	07245 Mirror covers Brilliant White
09933 Head lamp panel and bumper: Stone Grey	04198 Mirror covers in cab colour
06442 Mirror covers grey	16153 Cab and chassis colours

CAB INTERIOR

Driver seat: Comfort Air; Co-driver seat: basic; Automatic Temperature Control and airco; Pollen filter; Roof hatch glass, manual control.

Optional

09271 Steering wheel, leather, colour black	07741 Co-driver seat: Comfort Air
07240 Steering wheel, leather, Exclusive	07743 Co-driver seat: Luxury Air
07152 Cab interior trim colour Exclusive	07746 Co-driver seat: Super Air
07592 Cab interior decoration Argenta	07748 Co-driver seat: Xtra Leather Air
07591 Cab interior decoration Rustica	00967 Seat belts red
07733 Driver seat: Luxury Air	02117 Third seat
07736 Driver seat: Super Air	06539 Refrigerator
07737 Driver seat: Xtra Leather Air	06599 Auxiliary cab heater (air)

COMMUNICATION AND DRIVING MANAGEMENT

Tachograph digital, Stoneridge 1B; Speed limiter setting 85 km/h absolute; Antennas: radio, 2x cellular, GNSS; Adaptive Cruise Control with FCW and AEBS-3.

Optional

16155 Audio equipment, makes and types

SAFETY AND SECURITY

Vehicle Stability Control (VSC); Basic engine immobiliser system.

Optional

01725 Reverse warning	16156 EC-ADR packages
07414 Reverse warning with self-adjusting volume	

SUSPENSION AND AXLES

Front axle load 7.50 t; Rear: 11.50 t, air suspension, SR1132.

Optional

01800 Rear axle SR1344	01778 Rear axle load 13.00 t
01603 Rear springs parabolic	

WHEELS AND TYRES

Front axle(s): 315/70R22.5; Driven rear axle(s): 315/70R22.5; Disc wheels steel, silvergrey; Wheel protection rings silvergrey.

Optional

16152 Tyre makes and types

DRIVELINE

Engine PX-7, 6 cylinder diesel engine, 6.7 litres. Output 172 kW (234 hp) at 2300 rpm. Max. torque 900 Nm at 1000-1700 rpm.; Exhaust emission Euro 6; Engine idle shutdown, 5 minutes; Manual gearbox, 6 speeds; Gearbox ratio 6.75-0.78; Rear axle ratio 4.56.

Optional

04393 Manual gearbox, 9 speeds	04500 AS Tronic gearbox, 12 speeds
08834 AS Tronic gearbox, 6 speeds	02843 Mechanical differential lock

CHASSIS

Wheelbase 5.10 m / rear overhang 2.30 m; Side member height 270 mm; Plastic fuel tank 200 l; Tank for AdBlue® 25 l, right-hand side chassis; Front underrun protection (FUP); Spray suppression.

Optional

16157 Fuel tanks, material and sizes	07071 Spare wheel carrier right-hand side
---	--

DRAWBAR AND TRAILER EQUIPMENT

Closing member.

Optional

04661 D-value cross member D=8.5	01948 D-value cross member D=10
---	--

BODIES AND PREPARATIONS FOR BODYING

Application connector on the cab front.

POWER TAKE-OFF (PTO)

Optional

16148 PTO types and positions

24V POWER SUPPLY

Alternator 80 A, batteries 2x 125 Ah..

Optional

01897 Alternator 100 A	08797 Batteries 2x175Ah
-------------------------------	--------------------------------

GVM AND GCM

Chassis weight related technical GVM max 19000 kg; Driveline related max GCM 19000 kg.

Optional

- | | |
|---|---|
| 00064 Driveline related max GCM 22500 kg | 00620 Driveline related max GCM 28000 kg |
| 02658 Driveline related max GCM 26000 kg | 03027 Driveline related max GCM 32000 kg class 3 |

APPLICATION CONDITIONS

Moisture separator, unheated; Air intake on the cab roof.

Optional

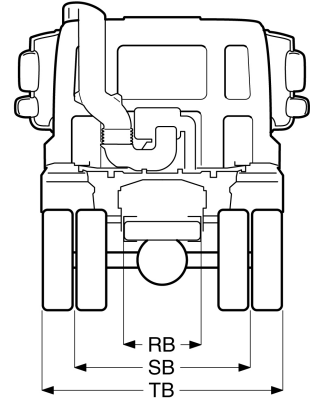
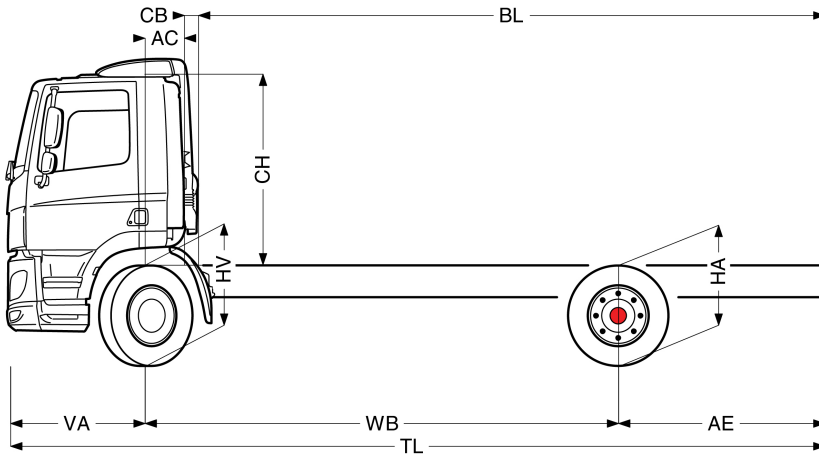
- | | |
|---|---------------------------------|
| 02270 Cold climate | 04987 Radiator flyscreen |
| 09961 Cyclonic air intake behind the cab | |



Go to [DAF.com](https://www.daf.com) to configure your own perfect DAF.

CF 230

FA 4X2 Rigid



	Wheelbase - AE		Unladen weight ¹⁾			Gross Carrying Capacity			Variable dimensions									
	WB	AE ⁵⁾	Front	Rear	Total	Front	Rear	Total	AC	CB ⁶⁾	CH ⁷⁾	BL ⁸⁾	BL	TL	HA ⁹⁾	HA ¹⁰⁾	TK ¹¹⁾	TW ¹²⁾
DAY CAB	4,00	1,70	4120	2340	6460	3380	9160	11540	0,39	0,18	1,98	4,70	4,70	7,07	1,00	0,97	14,46	15,86
	4,15	1,85	4123	2351	6474	3377	9149	11526	0,39	0,18	1,98	4,92	4,92	7,37	1,00	0,97	14,87	16,28
	4,45	2,00	4142	2369	6511	3358	9131	11489	0,39	0,18	1,98	5,37	5,37	7,82	1,00	0,97	15,69	17,11
	4,75	2,00	4158	2368	6526	3342	9132	11474	0,39	0,18	1,98	5,82	5,82	8,12	1,00	0,97	16,51	17,94
	4,90	2,15	4160	2380	6541	3340	9120	11459	0,39	0,18	1,98	6,03	6,03	8,42	1,00	0,97	16,92	18,36
	5,10	2,30	4176	2403	6579	3324	9097	11421	0,39	0,18	1,98	6,33	6,33	8,77	1,00	0,97	17,47	18,91
	5,40	2,40	4207	2442	6649	3293	9058	11351	0,39	0,18	1,98	6,79	6,79	9,17	1,00	0,97	18,30	19,74
	5,70	2,65	4220	2476	6696	3280	9024	11304	0,39	0,18	1,98	7,23	7,23	9,72	1,00	0,97	19,12	20,58
	6,10	2,80	4236	2493	6729	3264	9007	11271	0,39	0,18	1,98	7,82	7,82	10,27	1,00	0,97	20,22	21,69
	6,60	2,85	4267	2512	6779	3233	8988	11221	0,39	0,18	1,98	8,57	8,57	10,82	1,00	0,97	21,60	23,08
6,90	3,00	4289	2550	6839	3211	8950	11161	0,39	0,18	1,98	9,02	9,02	11,27	1,00	0,97	22,43	23,91	
7,30	3,30	4297	2582	6879	3203	8918	11121	0,39	0,18	1,98	9,60	9,60	11,97	1,00	0,97	23,54	25,02	
SLEEPER CAB	4,00	1,70	4166	2348	6514	3334	9152	11486	0,82	0,16	1,98	3,90	3,90	7,07	1,00	0,96	14,46	15,86
	4,15	1,85	4169	2359	6528	3331	9141	11472	0,82	0,16	1,98	4,13	4,13	7,37	1,00	0,96	14,87	16,28
	4,45	2,00	4188	2377	6565	3312	9123	11435	0,82	0,16	1,98	4,58	4,58	7,82	1,00	0,96	15,69	17,11
	4,75	2,00	4205	2376	6581	3295	9124	11419	0,82	0,16	1,98	5,02	5,02	8,12	1,00	0,96	16,51	17,94
	4,90	2,15	4208	2387	6595	3292	9113	11405	0,82	0,16	1,98	5,24	5,24	8,42	1,00	0,96	16,92	18,36
	5,10	2,30	4223	2410	6633	3277	9090	11367	0,82	0,16	1,98	5,54	5,54	8,77	1,00	0,96	17,47	18,91
	5,40	2,40	4255	2448	6703	3245	9052	11297	0,82	0,16	1,98	5,99	5,99	9,17	1,00	0,97	18,30	19,74
	5,70	2,65	4268	2482	6750	3232	9018	11250	0,82	0,16	1,98	6,43	6,43	9,72	1,00	0,96	19,12	20,58
	6,10	2,80	4284	2499	6783	3216	9001	11217	0,82	0,16	1,98	7,04	7,04	10,27	1,00	0,97	20,22	21,69
	6,60	2,85	4316	2517	6833	3184	8983	11167	0,82	0,16	1,98	7,78	7,78	10,82	1,00	0,97	21,60	23,08
6,90	3,00	4338	2555	6893	3162	8945	11107	0,82	0,16	1,98	8,23	8,23	11,27	1,00	0,97	22,43	23,91	
7,30	3,30	4347	2586	6933	3153	8914	11067	0,82	0,16	1,98	8,82	8,82	11,97	1,00	0,97	23,54	25,02	
SPACE CAB	4,00	1,70	4278	2349	6627	3222	9151	11373	0,82	0,16	2,66	3,96	3,96	7,07	1,00	0,96	14,46	15,86
	4,15	1,85	4282	2360	6642	3218	9140	11358	0,82	0,16	2,66	4,18	4,18	7,37	1,00	0,96	14,87	16,28
	4,45	2,00	4301	2377	6678	3199	9123	11322	0,82	0,16	2,66	4,63	4,63	7,82	1,00	0,96	15,69	17,11
	4,90	2,15	4320	2388	6708	3180	9112	11292	0,82	0,16	2,66	5,31	5,31	8,42	1,00	0,97	16,92	18,36
	5,10	2,30	4336	2410	6746	3164	9090	11254	0,82	0,16	2,66	5,60	5,60	8,77	1,00	0,97	17,47	18,91
	5,40	2,40	4368	2449	6817	3132	9051	11183	0,82	0,16	2,66	6,06	6,06	9,17	1,00	0,97	18,30	19,74
	5,70	2,65	4381	2482	6864	3119	9018	11136	0,82	0,16	2,66	6,51	6,51	9,72	1,00	0,97	19,12	20,58
	6,10	2,80	4397	2499	6896	3103	9001	11104	0,82	0,16	2,66	7,12	7,12	10,27	1,00	0,97	20,22	21,69
	6,60	2,85	4429	2518	6946	3071	8982	11054	0,82	0,16	2,66	7,88	7,88	10,82	1,00	0,97	21,60	23,08
	6,90	3,00	4451	2555	7006	3049	8945	10994	0,82	0,16	2,66	8,34	8,34	11,27	1,00	0,97	22,43	23,91
7,30	3,30	4460	2587	7046	3040	8913	10954	0,82	0,16	2,66	8,94	8,94	11,97	1,00	0,97	23,54	25,02	

OTHER DIMENSIONS VA: 1,37 HV¹³⁾: 1,03 HV¹⁴⁾: 1,01 RB: 0,79 SB: 1,83 TB¹⁵⁾: 2,47

- GVM in conformity with registration documents.
- GCM in conformity with registration documents.
- Axle load with standard tyre size.
- Chassis and cab weight calculated with: Standard specification items only with 200 litres of fuel, 25 litres of AdBlue® and driver of 80 kg, tolerance ± 3%. Changing of the specification can have major impact on vehicle weight.
- Other AE dimensions may be available for shown WB. Modify rear overhang to the calculated body length.
- CB is based on standard air intake and/or exhaust.
- Cab height is measured from frame member to closed cabin roof hatch.

- Calculate customer specific body length with TOPEC. Body lengths shown based on evenly distributed load at max axle load.
- Unladen height at centre of driven axle(s).
- Laden height at centre of driven axle(s).
- TK = turning circle between kerbs.
- TW = turning circle between walls.
- Unladen height at centre of front axle(s).
- Laden height at centre of front axle(s).
- TB is overall width at rear. (At lower cab step 255).

Depending on the vehicle configuration a specific option may not be possible. The availability and specification of this vehicle may differ per country. For further information please contact the DAF organisation. Pictures and technical illustrations are not binding in detail and can differ from the standard specification. Subject to modification without prior notice.