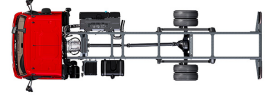


Specification sheet

XB 190

FA 4X2 Rigid, 08t Chassis/Body



ENGINES

XB NewGen 170 PX-5 (124 kW / 169 hp)
XB NewGen 190 PX-5 (139 kW / 189 hp)
XB NewGen 210 PX-5 (153 kW / 208 hp)
XB NewGen 230 PX-7 (167 kW / 227 hp)

GVM¹⁾

7490 kg
Max. front 3600 kg
Max. rear 5000 kg

GCM²⁾

7490 kg

CAB EXTERIOR

Day Cab with steel bumper, tinted glass and electric window openers. Main mirrors and wide angle mirrors electrically heated. Cab width 2130 mm.; Electrically adjustable mirrors; Mirror brackets, body 2.50-2.60 m; Front view mirror; Rear view camera.

Optional

02576 Extended Day Cab	06629 Two hazard beacon lights
02106 Sleeper Cab	02083 Two hazard beacon lights LED
01173 Cab suspension mechanical	07343 Kerb view window co-driver door
01605 Cab suspension mechanical reinforced	00915 Side no glass / rear single glass
09983 Fog lights	09101 Green tinted glass, heated
09984 Fog lights and cornering lights	09283 Mirror brackets, body 2.40-2.50 m

AERODYNAMICS

Optional

09286 Roof air deflector prepared	07092 Adjustable roof air deflector low (set)
06776 Adjustable roof air deflector	09287 Side collars prepared
07109 Adjustable roof air deflector high (set)	07112 Side collars long (set)

COLOURS

; Head lamp panel and bumper: Stone Grey; Cab steps and wing Stone Grey; Chassis colour grey..

Optional

06485 Head lamp panel and bumper: cab colour	01303 Curtain colour 557 blue, panels white
01109 Cab steps and wing in cab colour	01340 Curtain colour 602 green, panels white
04674 Body panels standard white	01344 Curtain colour 763 grey, panels white
01238 Curtain colour 907 white, panels white	01350 Curtain colour 905 black, panels white
01241 Curtain colour 148 yellow, panels white	16153 Cab and chassis colours
01298 Curtain colour 356 red, panels white	

CAB INTERIOR

Left-hand drive (LHD); Mechanically adjustable steering column; Driver seat: air suspended; Co-driver seat: fixed velour; Storage box on engine tunnel.

Optional

01847 Right-hand drive (RHD)	04346 Lower bunk, normal level
09271 Steering wheel, leather, colour black	03703 Auxiliary cab heater Air Top 2000
03516 Pneumatically adjustable steering column	04246 Roof hatch, manual control
00967 Seat belts red	04258 Roof hatch, electric control
16158 Seat types	

COMMUNICATION AND DRIVING MANAGEMENT

FMS connector, prepared; Tachograph digital, Stoneridge 1C version G2V2; Driver Performance Assistant.

Optional

07706 No PACCAR Connect	16155 Audio equipment, makes and types
--------------------------------	---

SAFETY AND SECURITY

Speed limit recognition; DAF drowsiness detection; Drive-off Assist.

Optional

08631 Air bag (driver) and 2 seat belt tensioners	07414 Reverse warning with self-adjusting volume
01725 Reverse warning	16156 EC-ADR packages

SUSPENSION AND AXLES

Front axle type 36N. Parabolic leaf suspension with shock absorbers and stabiliser. Max. load 3.6 tonnes.; Single reduction driven rear axle type SR5.13 with parabolic leaf suspension, including shock absorbers and stabiliser. Max. load 5.00 tonnes..

Optional

00817 Rear: 5.00 t, parabolic Heavy Duty, SR5.13	01372 Rear springs air
00764 Rear: 5.00 t, air suspension, SR5.13	08031 Rear springs parabolic, Heavy Duty

WHEELS AND TYRES

Front axle(s): 215/75R17.5; Driven rear axle(s): 215/75R17.5; Goodyear; Wheel protection rings silvergrey.

Optional

06764 Wheel protection rings black	16152 Tyre makes and types
---	-----------------------------------

DRIVELINE

Engine PX-5, 4 cylinder diesel engine, 4.5 litres. Output 139 kW (189 hp) at 2300 rpm. Max. torque 745 Nm at 1200-1700 rpm.; Exhaust emission Euro 6; Manual gearbox, 6 speeds; Gearbox ratio 6.58-0.78; Rear axle ratio 3.31.

Optional

07667 Automatic gearbox PowerLine, 8-speed	02800 Rear axle ratio 4.10
01879 Rear axle ratio 3.73	02843 Mechanical differential lock

BRAKE SYSTEM

Exhaust brake.

Optional

06195 Park brake control with test position	09525 Park brake ctl with test pos and spoken warning
09524 Park brake control with spoken warning	

CHASSIS

Wheelbase 3.55 m / rear overhang 1.98 m; Side member height 210 mm; EAS unit right, discharge right rearward; Battery box left, no spare wheel carrier; Plastic fuel tank 110 l; Tank for AdBlue® 30 l, right-hand side chassis; Spray suppression.

Optional

01623 Rear underrun protection	03323 Rear light with LEDs
---------------------------------------	-----------------------------------

DRAWBAR AND TRAILER EQUIPMENT

Closing member D-value = 0kN.

Optional

06779 Cross member D85-Dc70 -V25, no coupling, mounted	04661 D-value cross member D=8.5
06657 Cross member D85-Dc70 -V25, coupling D85, mounted	

BODIES AND PREPARATIONS FOR BODYING

Application connector on the cab front; Standard body attachment hole pattern.

Optional

00126 Body attachment BAM 1, consoles type B	02698 Body floor with 3 mm aluminium tread plate
02357 Box body	02717 Aluminium kick strips, front and sides 228 mm
01890 Curtain sider body	02712 Aluminium kick strips, front 228 mm
03562 Aerobody	02727 Galvanised kick strips, front and sides 200 mm
02615 External body length 5150 mm	02728 Plywood kick strips, front and sides 300 mm
02622 External body length 6100 mm	02738 Plywood kick strips, front 1200 mm, sides 300 mm
02650 External body length 6810 mm	04650 Rear wide lath shutter door
06463 External body length 7100 mm	04662 Rear double doors
04619 External body width 2480 mm	02726 Single, hinged side door at front left-hand side
04621 External body width 2540 mm	04297 Single, hinged side door at rear right-hand side
01403 GRP faced plywood panels	02718 Side roller shutter door
02694 Light weight box panels	04637 Column tail lift
00067 Contour markings	04640 Tuck-under tail lift
02702 Standard body floor	06464 Tail lift 1.5 tonnes

POWER TAKE-OFF (PTO)

Optional

16148 PTO types and positions

24V POWER SUPPLY

Alternator 80 A, batteries 2x 125 Ah..

Optional

01897 Alternator 100 A **08797** Batteries 2x175Ah

GVM AND GCM

Chassis weight related technical GVM max 7490 kg; Driveline related technical GCM equal to GVM.

Optional

08643 Chassis weight related technical GVM max 7500 kg	00054 Driveline related max GCM 18000 kg
08644 Chassis weight related technical GVM max 8300 kg	03700 Driveline related technical GCM = GVM+3500 kg
03428 Driveline related max GCM 16000 kg	

APPLICATION CONDITIONS

Moisture separator, unheated; Air intake low.

Optional

01282 Moderate climate	04482 Air intake high behind cab
04767 Moisture separator, heated	

VEHICLE DELIVERY

Standard toolkit.

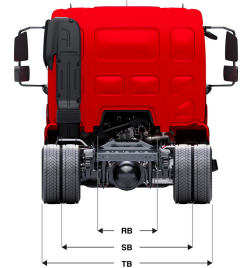
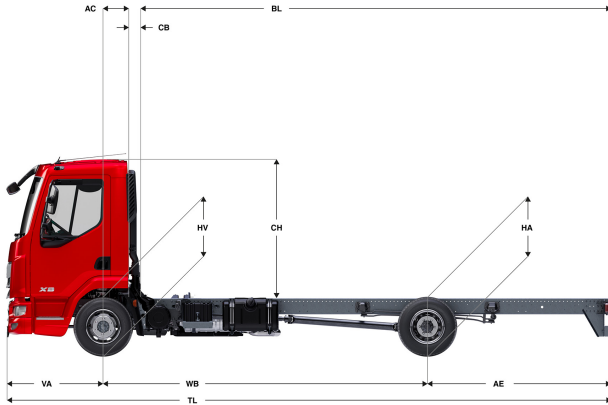
Optional

06491 Toolkit Eastern Europe

Go to [DAF.com](https://www.daf.com) to configure your own perfect DAF.

XB 190

FA 4X2 Rigid, 08t Chassis/Body



	Wheelbase - AE		Unladen weight ⁹⁾			Gross Carrying Capacity			Variable dimensions									
	WB	AE ⁵⁾	Front	Rear	Total	Front	Rear	Total	AC	CB ⁶⁾	CH ⁷⁾	BL ⁸⁾	BL	TL	HA ⁹⁾	HA ¹⁰⁾	TK ¹¹⁾	TW ¹²⁾
DAY CAB	3,55	1,98	2419	874	3293	1181	4126	4197	0,33	0,22	1,84	4,01	5,87	6,82	1,01	0,89	11,68	13,03
	3,90	2,23	2414	886	3301	1186	4114	4190	0,33	0,22	1,84	4,50	6,56	7,42	1,01	0,89	12,53	13,91
	4,30	2,43	2426	912	3338	1174	4088	4152	0,33	0,22	1,84	5,07	7,36	8,02	1,01	0,89	13,51	14,90
	4,65	2,75	2432	937	3370	1168	4063	4120	0,33	0,22	1,84	5,57	8,06	8,69	1,01	0,89	14,38	15,77
	5,00	2,46	2451	917	3367	1149	4083	4123	0,33	0,22	1,84	6,11	8,80	8,75	1,01	0,90	15,24	16,65
SLEEPER CAB	3,55	1,98	2556	853	3409	1044	4147	4081	0,73	0,20	1,87	3,43	5,35	6,82	1,02	0,89	11,68	13,03
	3,90	2,23	2562	878	3439	1038	4122	4051	0,73	0,20	1,87	3,95	6,07	7,42	1,01	0,89	12,53	13,91
	4,30	2,43	2560	892	3452	1040	4108	4038	0,73	0,20	1,87	4,53	6,89	8,02	1,01	0,89	13,51	14,90
	4,65	2,75	2572	927	3499	1028	4073	3991	0,73	0,20	1,87	5,05	7,63	8,69	1,01	0,89	14,37	15,77

OTHER DIMENSIONS VA: 1,29 HV¹³⁾: 0,90 HV¹⁴⁾: 0,86 RB: 0,86 SB: 1,75 TB¹⁵⁾: 2,29

1) GVM in conformity with registration documents.
 2) GCM in conformity with registration documents.
 3) Axle load with standard tyre size.
 4) Chassis and cab weight calculated with: Standard specification items only with 0 litres of fuel, 0 litres of AdBlue® and driver of 75 kg, tolerance ± 3%. Changing of the specification can have major impact on vehicle weight.
 5) Other AE dimensions may be available for shown WB. Modify rear overhang to the calculated body length.
 6) CB is based on standard air intake and/or exhaust.
 7) Cab height is measured from frame member to closed cabin roof hatch.

8) Calculate customer specific body length with TOPEC. Body lengths shown based on evenly distributed load at max axle load.
 9) Unladen height at centre of driven axle(s).
 10) Laden height at centre of driven axle(s).
 11) TK = turning circle between kerbs.
 12) TW = turning circle between walls.
 13) Unladen height at centre of front axle(s).
 14) Laden height at centre of front axle(s).
 15) TB is overall width at rear. (At centre of front axle 255).

Depending on the vehicle configuration a specific option may not be possible. The availability and specification of this vehicle may differ per country. For further information please contact the DAF organisation. Pictures and technical illustrations are not binding in detail and can differ from the standard specification. Subject to modification without prior notice.