

# Specification sheet

# CF 230

FA 4X2 Rigid



## ENGINES

- CF 230 PX-7 (172 kW / 234 hp)
- CF 260 PX-7 (194 kW / 264 hp)
- CF 290 PX-7 (217 kW / 295 hp)
- CF 320 PX-7 (239 kW / 325 hp)

## GVM<sup>1)</sup>

- 19000 kg
- Max. front 7500 kg
- Max. rear 11500 kg

## GCM<sup>2)</sup>

- 19000 kg

003F6606AAAA - 202345C - 18-08-2023

DAF Trucks Norge AS, [www.daf.com](http://www.daf.com), Nordic Truckcenter AS, [www.nordictruckcenter.no](http://www.nordictruckcenter.no)

## CAB EXTERIOR

Day Cab with galvanised steel bumper, tinted glass and electric window openers. Main mirrors and wide angle mirrors electrically heated. Cab width 2300 mm.; LED daytime running lights; Electrically adjustable mirrors; Front view mirror.

### Optional

<b>02106</b> Sleeper Cab	<b>06593</b> Skylights
<b>01137</b> Space Cab	<b>06628</b> One hazard beacon light at co-driver side
<b>01174</b> External sun visor green translucent	<b>06627</b> One hazard beacon light at driver side
<b>09983</b> Fog lights	<b>06629</b> Two hazard beacon lights
<b>09984</b> Fog lights and cornering lights	

## AERODYNAMICS

### Optional

<b>04906</b> Side collars
---------------------------

## COLOURS

Cab colour H3279 Brilliant White; Head lamp panel and bumper: Brilliant White; Chassis colour grey..

### Optional

<b>06485</b> Head lamp panel and bumper: cab colour	<b>07245</b> Mirror covers Brilliant White
<b>09933</b> Head lamp panel and bumper: Stone Grey	<b>04198</b> Mirror covers in cab colour
<b>06442</b> Mirror covers grey	<b>16153</b> Cab and chassis colours

## CAB INTERIOR

Driver seat: Comfort Air; Co-driver seat: basic; Automatic Temperature Control and airco; Pollen filter; Roof hatch glass, manual control.

### Optional

<b>09271</b> Steering wheel, leather, colour black	<b>07741</b> Co-driver seat: Comfort Air
<b>07240</b> Steering wheel, leather, Exclusive	<b>07743</b> Co-driver seat: Luxury Air
<b>07152</b> Cab interior trim colour Exclusive	<b>07746</b> Co-driver seat: Super Air
<b>07592</b> Cab interior decoration Argenta	<b>07748</b> Co-driver seat: Xtra Leather Air
<b>07591</b> Cab interior decoration Rustica	<b>00967</b> Seat belts red
<b>07733</b> Driver seat: Luxury Air	<b>02117</b> Third seat
<b>07736</b> Driver seat: Super Air	<b>06539</b> Refrigerator
<b>07737</b> Driver seat: Xtra Leather Air	<b>06599</b> Auxiliary cab heater (air)

## COMMUNICATION AND DRIVING MANAGEMENT

Tachograph digital, Stoneridge 1C version G2V2; Speed limiter setting 85 km/h absolute; Antennas: radio, 2x cellular, GNSS; Adaptive Cruise Control with FCW and AEBS-3.

### Optional

<b>16155</b> Audio equipment, makes and types
---

## SAFETY AND SECURITY

Vehicle Stability Control (VSC); Basic engine immobiliser system.

### Optional

<b>01725</b> Reverse warning	<b>16156</b> EC-ADR packages
<b>07414</b> Reverse warning with self-adjusting volume	

## SUSPENSION AND AXLES

Front axle load 7.50 t; Rear: 11.50 t, air suspension, SR1132.

### Optional

<b>01800</b> Rear axle SR1344	<b>01778</b> Rear axle load 13.00 t
<b>01603</b> Rear springs parabolic	

## WHEELS AND TYRES

Front axle(s): 315/70R22.5; Driven rear axle(s): 315/70R22.5; Disc wheels steel, silvergrey; Wheel protection rings silvergrey.

### Optional

<b>16152</b> Tyre makes and types
-----------------------------------

## DRIVELINE

Engine PX-7, 6 cylinder diesel engine, 6.7 litres. Output 172 kW (234 hp) at 2300 rpm. Max. torque 900 Nm at 1000-1700 rpm.; Exhaust emission Euro 6; Engine idle shutdown, 5 minutes; Manual gearbox, 6 speeds; Gearbox ratio 6.75-0.78; Rear axle ratio 4.56.

### Optional

<b>04393</b> Manual gearbox, 9 speeds	<b>04500</b> AS Tronic gearbox, 12 speeds
<b>08834</b> AS Tronic gearbox, 6 speeds	<b>02843</b> Mechanical differential lock

## CHASSIS

Wheelbase 5.10 m / rear overhang 2.30 m; Side member height 270 mm; Plastic fuel tank 200 l; Tank for AdBlue® 25 l, right-hand side chassis; Front underrun protection (FUP); Spray suppression.

### Optional

<b>16157</b> Fuel tanks, material and sizes	<b>07071</b> Spare wheel carrier right-hand side
---	--

## DRAWBAR AND TRAILER EQUIPMENT

Closing member.

### Optional

<b>04661</b> D-value cross member D= 8.5	<b>01948</b> D-value cross member D=10
--	--

## BODIES AND PREPARATIONS FOR BODYING

Application connector on the cab front.

## POWER TAKE-OFF (PTO)

### Optional

<b>16148</b> PTO types and positions
--------------------------------------

## 24V POWER SUPPLY

Alternator 80 A, batteries 2x 125 Ah..

### Optional

<b>01897</b> Alternator 100 A	<b>08797</b> Batteries 2x175Ah
-------------------------------	--------------------------------

## GVM AND GCM

Chassis weight related technical GVM max 19000 kg; Driveline related max GCM 19000 kg.

**Optional**

- |   |   |
|---|---|
| <b>00064</b> Driveline related max GCM 22500 kg | <b>00620</b> Driveline related max GCM 28000 kg         |
| <b>02658</b> Driveline related max GCM 26000 kg | <b>03027</b> Driveline related max GCM 32000 kg class 3 |

**APPLICATION CONDITIONS**

Moisture separator, unheated; Air intake on the cab roof.

**Optional**

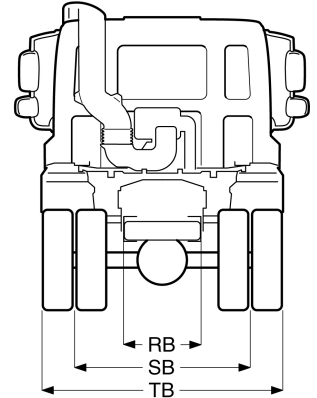
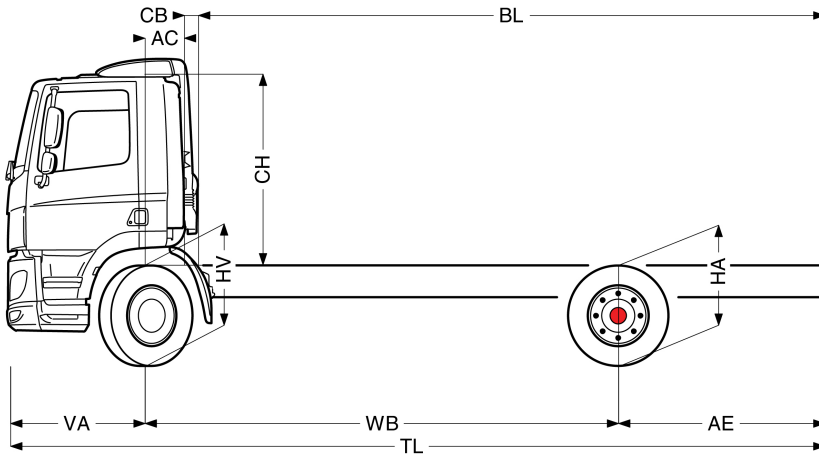
- |   |                                 |
|---|---------------------------------|
| <b>02270</b> Cold climate                       | <b>04987</b> Radiator flyscreen |
| <b>09961</b> Cyclonic air intake behind the cab |                                 |



Go to [DAF.com](https://www.daf.com) to configure your own perfect DAF.

# CF 230

FA 4X2 Rigid



	Wheelbase - AE		Unladen weight <sup>1)</sup>			Gross Carrying Capacity			Variable dimensions									
	WB	AE <sup>5)</sup>	Front	Rear	Total	Front	Rear	Total	AC	CB <sup>6)</sup>	CH <sup>7)</sup>	BL <sup>8)</sup>	BL	TL	HA <sup>9)</sup>	HA <sup>10)</sup>	TK <sup>11)</sup>	TW <sup>12)</sup>
DAY CAB	4,00	1,70	4112	2330	6442	3388	9170	12558	0,39	0,18	1,98	4,70	4,70	7,07	1,00	0,97	14,46	15,86
	4,15	1,85	4115	2342	6456	3385	9158	12544	0,39	0,18	1,98	4,92	4,92	7,37	1,00	0,97	14,87	16,28
	4,45	2,00	4132	2360	6493	3368	9140	12507	0,39	0,18	1,98	5,37	5,37	7,82	1,00	0,97	15,69	17,11
	4,75	2,00	4148	2360	6508	3352	9140	12492	0,39	0,18	1,98	5,82	5,82	8,12	1,00	0,97	16,51	17,94
	4,90	2,15	4150	2372	6523	3350	9128	12477	0,39	0,18	1,98	6,03	6,03	8,42	1,00	0,97	16,92	18,36
	5,10	2,30	4165	2396	6561	3335	9104	12439	0,39	0,18	1,98	6,33	6,33	8,77	1,00	0,97	17,47	18,91
	5,40	2,40	4196	2435	6631	3304	9065	12369	0,39	0,18	1,98	6,77	6,77	9,17	1,00	0,97	18,30	19,74
	5,70	2,65	4209	2469	6678	3291	9031	12322	0,39	0,18	1,98	7,21	7,21	9,72	1,00	0,97	19,12	20,58
	6,10	2,80	4224	2487	6711	3276	9013	12289	0,39	0,18	1,98	7,80	7,80	10,27	1,00	0,97	20,22	21,69
	6,60	2,85	4255	2506	6761	3245	8994	12239	0,39	0,18	1,98	8,57	8,57	10,82	1,00	0,97	21,60	23,08
6,90	3,00	4277	2544	6821	3223	8956	12179	0,39	0,18	1,98	9,00	9,00	11,27	1,00	0,97	22,43	23,91	
7,30	3,30	4285	2576	6861	3215	8924	12139	0,39	0,18	1,98	9,60	9,60	11,97	1,00	0,97	23,54	25,02	
SLEEPER CAB	4,00	1,70	4157	2339	6496	3343	9161	12504	0,82	0,16	1,98	3,90	3,90	7,07	1,00	0,96	14,46	15,86
	4,15	1,85	4160	2350	6510	3340	9150	12490	0,82	0,16	1,98	4,12	4,12	7,37	1,00	0,96	14,87	16,28
	4,45	2,00	4179	2368	6547	3321	9132	12453	0,82	0,16	1,98	4,57	4,57	7,82	1,00	0,96	15,69	17,11
	4,75	2,00	4195	2368	6562	3305	9132	12438	0,82	0,16	1,98	5,01	5,01	8,12	1,00	0,96	16,51	17,94
	4,90	2,15	4197	2379	6577	3303	9121	12423	0,82	0,16	1,98	5,24	5,24	8,42	1,00	0,96	16,92	18,36
	5,10	2,30	4212	2402	6615	3288	9098	12385	0,82	0,16	1,98	5,54	5,54	8,77	1,00	0,96	17,47	18,91
	5,40	2,40	4244	2441	6685	3256	9059	12315	0,82	0,16	1,98	5,99	5,99	9,17	1,00	0,97	18,30	19,74
	5,70	2,65	4257	2475	6732	3243	9025	12268	0,82	0,16	1,98	6,43	6,43	9,72	1,00	0,96	19,12	20,58
	6,10	2,80	4272	2493	6765	3228	9007	12235	0,82	0,16	1,98	7,02	7,02	10,27	1,00	0,97	20,22	21,69
	6,60	2,85	4304	2511	6815	3196	8989	12185	0,82	0,16	1,98	7,78	7,78	10,82	1,00	0,97	21,60	23,08
6,90	3,00	4326	2549	6875	3174	8951	12125	0,82	0,16	1,98	8,23	8,23	11,27	1,00	0,97	22,43	23,91	
7,30	3,30	4334	2581	6915	3166	8919	12085	0,82	0,16	1,98	8,82	8,82	11,97	1,00	0,97	23,54	25,02	
SPACE CAB	4,00	1,70	4270	2340	6609	3230	9160	12391	0,82	0,16	2,66	3,96	3,96	7,07	1,00	0,96	14,46	15,86
	4,15	1,85	4273	2351	6623	3227	9149	12377	0,82	0,16	2,66	4,18	4,18	7,37	1,00	0,96	14,87	16,28
	4,45	2,00	4291	2369	6660	3209	9131	12340	0,82	0,16	2,66	4,63	4,63	7,82	1,00	0,96	15,69	17,11
	4,75	2,00	4308	2368	6676	3192	9132	12324	0,82	0,16	2,66	5,08	5,08	8,12	1,00	0,97	16,51	17,94
	4,90	2,15	4310	2380	6690	3190	9120	12310	0,82	0,16	2,66	5,30	5,30	8,42	1,00	0,97	16,92	18,36
	5,10	2,30	4325	2403	6728	3175	9097	12272	0,82	0,16	2,66	5,60	5,60	8,77	1,00	0,96	17,47	18,91
	5,40	2,40	4357	2442	6798	3143	9058	12202	0,82	0,16	2,66	6,06	6,06	9,17	1,00	0,97	18,30	19,74
	5,70	2,65	4370	2476	6845	3130	9024	12155	0,82	0,16	2,66	6,51	6,51	9,72	1,00	0,97	19,12	20,58
	6,10	2,80	4385	2493	6878	3115	9007	12122	0,82	0,16	2,66	7,10	7,10	10,27	1,00	0,97	20,22	21,69
	6,60	2,85	4416	2512	6928	3084	8988	12072	0,82	0,16	2,66	7,87	7,87	10,82	1,00	0,97	21,60	23,08
6,90	3,00	4439	2550	6988	3061	8950	12012	0,82	0,16	2,66	8,32	8,32	11,27	1,00	0,97	22,43	23,91	
7,30	3,30	4447	2581	7028	3053	8919	11972	0,82	0,16	2,66	8,92	8,92	11,97	1,00	0,97	23,54	25,02	

OTHER DIMENSIONS VA: 1,37 HV<sup>13)</sup>: 1,03 HV<sup>14)</sup>: 1,01 RB: 0,79 SB: 1,83 TB<sup>15)</sup>: 2,47

- GVM in conformity with registration documents.
- GCM in conformity with registration documents.
- Axle load with standard tyre size.
- Chassis and cab weight calculated with: Standard specification items only with 180 litres of fuel, 23 litres of AdBlue® and driver of 80 kg, tolerance ± 3%. Changing of the specification can have major impact on vehicle weight.
- Other AE dimensions may be available for shown WB. Modify rear overhang to the calculated body length.
- CB is based on standard air intake and/or exhaust.
- Cab height is measured from frame member to closed cabin roof hatch.
- Calculate customer specific body length with TOPEC. Body lengths shown based on evenly distributed load at max axle load.
- Unladen height at centre of driven axle(s).
- Laden height at centre of driven axle(s).
- TK = turning circle between kerbs.
- TW = turning circle between walls.
- Unladen height at centre of front axle(s).
- Laden height at centre of front axle(s).
- TB is overall width at rear. (At lower cab step 255).

Depending on the vehicle configuration a specific option may not be possible. The availability and specification of this vehicle may differ per country. For further information please contact the DAF organisation. Pictures and technical illustrations are not binding in detail and can differ from the standard specification. Subject to modification without prior notice.