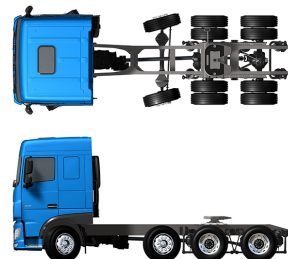


Specification sheet

XF 430

FTM 8X4 Tractor



ENGINES

- XF 430 MX-13 (315 kW / 428 hp)
- XF 480 MX-13 (355 kW / 483 hp)
- XF 530 MX-13 (390 kW / 530 hp)

GVM¹⁾

- 27000 kg
- Max. front 7000 kg
- Max. rear 20000 kg

GCM²⁾

- 44000 kg

067GG0789AAAA - 202345C - 21-08-2023

Greece, ERGOTRAK, www.daftrucks.gr

CAB EXTERIOR

Space Cab with galvanised steel bumper, tinted glass and electric window openers. Main mirrors and wide angle mirrors electrically heated. Cab width 2490 mm.; Cab suspension mechanical; LED daytime running lights; Front view mirror; Central door lock system, 2 keys, 2 RC units.

Optional

| | |
|---|--|
| 03710 Comfort Cab | 09982 No auxiliary lights in the bumper |
| 01760 Super Space Cab | 09984 Fog lights and cornering lights |
| 01226 Cab suspension air | 06593 Skylights |
| 01174 External sun visor green translucent | 06628 One hazard beacon light at co-driver side |
| 00847 Air horns, single set | 06627 One hazard beacon light at driver side |
| 09006 Air horns, double set | 06629 Two hazard beacon lights |
| 08020 LED head lights | |

AERODYNAMICS

Optional

| | |
|--|--|
| 08823 Adj. roof air deflector Space Cab; over 4 m (!) | 06904 Fixed rf deflector; total height over 4 m |
| 06776 Adjustable roof air deflector | 07401 Winding handle for roof air deflector |
| 08822 Adj. roof air deflector for Space Cab | 04906 Side collars |
| 06160 Fixed roof air deflector for Super Space Cab | |

COLOURS

Cab colour H3279 Brilliant White; Head lamp panel and bumper: Brilliant White; Chassis colour grey..

CAB INTERIOR

Cab interior trim colour Dark Sand; Cab interior decoration Delta black; Driver seat: Comfort Air; Co-driver seat: basic; Lower bunk without drawer; Luggage carrier; Automatic Temperature Control and airco; Auxiliary cab heater (water); Pollen filter.

Optional

| | |
|---|---|
| 07152 Cab interior trim colour Exclusive | 07748 Co-driver seat: Xtra Leather Air |
| 07592 Cab interior decoration Argenta | 00967 Seat belts red |
| 07591 Cab interior decoration Rustica | 06539 Refrigerator |
| 07733 Driver seat: Luxury Air | 09603 Lower bunk with drawer 65 litres |
| 07736 Driver seat: Super Air | 06784 Lower bunk mattress Xtra Comfort |
| 07737 Driver seat: Xtra Leather Air | 01065 No upper bunk / no luggage carrier |
| 07741 Co-driver seat: Comfort Air | 01066 Upper bunk |
| 07743 Co-driver seat: Luxury Air | 06676 PL light in cab ceiling |
| 07746 Co-driver seat: Super Air | 06970 Automatic Cab Climate Control |

COMMUNICATION AND DRIVING MANAGEMENT

Tachograph digital, Stoneridge 1C version G2V2; Speed limiter setting 85 km/h; Eco off 90 km/h; Antennas: radio, 2x cellular, GNSS; Adaptive Cruise Control with FCW and AEBS-3; Driver Performance Assistant.

Optional

| | |
|---|---|
| 09681 Preparation for Maut | 09909 Adaptive Cruise Control (ACC) with FCW |
| 07117 Radio/USB player, 2 speakers | 06991 Predictive Cruise Control |
| 09908 Cruise control | 06992 Predictive Cruise Control lite |

SAFETY AND SECURITY

Lane Departure Warning System; Vehicle Stability Control (VSC); Basic engine immobiliser system.

Optional

| | |
|--|----------------------------------|
| 08631 Air bag (driver) and 2 seat belt tensioners | 09828 Front camera system |
| 07011 DAF Night Lock | 09827 Side camera system |
| 02178 Main switch with second control in the cab | 01725 Reverse warning |

SUSPENSION AND AXLES

Front axles load 8.00 + 8.00 t; Rear: 2x 13.00 t, air suspension, SR1360T.

Optional

| | |
|---|-------------------------------------|
| 03467 Front axles load 9.00 + 8.00 t | 01601 Rear springs trapezium |
| 07494 Rear axle HR1670T | 08191 Axle load monitoring |

WHEELS AND TYRES

Front axle(s): 315/80R22.5; Second front or leading axle: 315/80R22.5; Driven rear axle(s): 295/80R22.5; Second driven rear or trailing axle: 295/80R22.5; Disc wheels steel, silvergrey; Wheel protection rings silvergrey.

Optional

16152 Tyre makes and types

DRIVELINE

Engine MX-13, multi torque 6 cylinder diesel engine, 12.9 litres. Output 315 kW (428 hp) at 1600 rpm. Maximum torque 2300 Nm at 900-1125 rpm.; Exhaust emission Euro 6; Engine idle shutdown, 5 minutes; Automated gearbox, TraXon, 12 speeds; Gearbox ratio 16.69-1.00; Rear axle ratio 2.83; ASR.

Optional

| | |
|---|--------------------------------|
| 04523 Manual gearbox, 16 speeds | 02314 Gearbox overdrive |
| 07103 Automated gearbox, TraXon, 16 speeds | |

BRAKE SYSTEM

Exhaust brake; Park brake control with test position; Ventilated disc brakes front and rear. Dual circuit air system with electronic control (EBS). Twin cylinder air compressor with heated dryer and economy mode..

Optional

| | |
|------------------------------|--------------------------|
| 09921 MX Engine Brake | 02715 ZF Intarder |
|------------------------------|--------------------------|

CHASSIS

Wheelbase 4.65 m / rear overhang 1.65 m; Side member height 310 mm; Exhaust pipe horizontal, low; Battery box behind the cab, no spare wheel carrier; Aluminium fuel tank 430 l RH, height 620 mm; Tank for AdBlue® 90 l, on left-hand mudguard; Front underrun protection (FUP); Catwalk with step; No rear mudguards; Spray suppression; Work lamp LED.

Optional

16157 Fuel tanks, material and sizes **03323** Rear light with LEDs

DRAWBAR AND TRAILER EQUIPMENT

Fifth wheel JOST type JSK37C cast iron, height 150 mm with 26 mm mounting plate. King pin diameter 2 inches.; Fifth wheel KA dimension 372.5 mm; Pneumatic trailer connection palm type; Electric connection 24 V / 2x7 pins; Trailer connection storage box.

Optional

16151 5th wheel makes and heights

POWER TAKE-OFF (PTO)

Optional

16148 PTO types and positions

24V POWER SUPPLY

Alternator 80 A, batteries 2x 230 Ah..

Optional

06460 Alternator 120 A **07671** Batteries 2x210Ah AGM C-type
08775 Alternator 150 A

GVM AND GCM

Chassis weight related technical GVM max 41000 kg; Driveline related max GCM 61000 kg class 2.

Optional

| | |
|---|---|
| 00778 Driveline related max GCM 58000 kg class 2 | 01313 Driveline related max GCM 70000 kg class 2 |
| 00818 Driveline related max GCM 60000 kg class 3 | 02135 Driveline related max GCM 71000 kg class 2 |
| 06280 Driveline related max GCM 63000 kg class 2 | 02143 Driveline related max GCM 78000 kg class 2 |

APPLICATION CONDITIONS

Air intake high.

Optional

03646 Air intake front **03648** Cyclonic air intake high

SERVICE AND MAINTENANCE

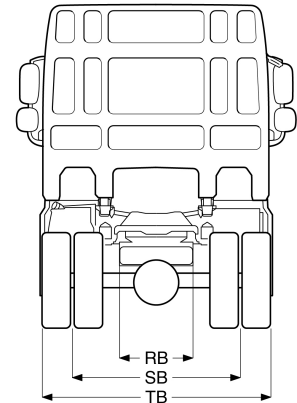
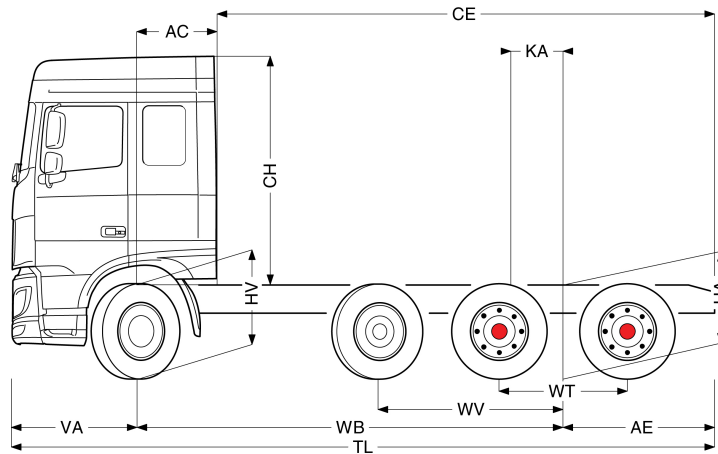
Warranty Plus - Driveline, takes care of 1 year complete vehicle as supplied by the OEM (excl. real wear parts), 2nd and 3rd year driveline up to 300,000 km and 1st year breakdown.; ITS service.



Go to [DAF.com](https://www.daf.com) to configure your own perfect DAF.

XF 430

FTM 8X4 Tractor



| | Wheelbase - AE | | Unladen weight ¹⁾ | | | Gross Carrying Capacity | | | Variable dimensions | | | | | | | | |
|-----------------|----------------|------------------|------------------------------|------|-------|-------------------------|-------|-------|---------------------|------|------|------------------|------|------------------|------------------|------------------|-------------------|
| | WB | AE ⁵⁾ | Front | Rear | Total | Front | Rear | Total | AC | CE | CH | KA ⁶⁾ | TL | HA ⁷⁾ | HA ⁸⁾ | TK ⁹⁾ | TW ¹⁰⁾ |
| SPACE CAB | 4,65 | 1,65 | 5725 | 4771 | 10496 | 1275 | 15229 | 16504 | 0,88 | 5,42 | 2,51 | 0,37 | 7,67 | 1,05 | 1,03 | 17,24 | 18,52 |
| | | | | | | | | | | | | | | | | | |
| | | | | | | | | | | | | | | | | | |
| SUPER SPACE CAB | 4,65 | 1,65 | 5801 | 4770 | 10571 | 1199 | 15230 | 16429 | 0,88 | 5,42 | 2,89 | 0,37 | 7,67 | 1,05 | 1,03 | 17,24 | 18,52 |
| | | | | | | | | | | | | | | | | | |
| | | | | | | | | | | | | | | | | | |

OTHER DIMENSIONS VA: 1,37 WV: 2,02 WT: 1,40 HV¹¹⁾: 1,03 HV¹²⁾: 1,01 RB: 0,79 SB: 1,82 TB¹³⁾: 2,45

1) GVM in conformity with registration documents.
 2) GCM in conformity with registration documents.
 3) Axle load with standard tyre size.
 5) Other AE dimensions may be available for shown WB.
 6) Calculate customer specific KA with TOPEC.

7) Unladen height at centre of driven axle(s).
 8) Laden height at centre of driven axle(s).
 9) TK = turning circle between kerbs.
 10) TW = turning circle between walls.
 11) Unladen height at centre of front axle(s).
 12) Laden height at centre of front axle(s).
 13) TB is overall width at rear. (At centre of front axle 255).

Depending on the vehicle configuration a specific option may not be possible. The availability and specification of this vehicle may differ per country. For further information please contact the DAF organisation. Pictures and technical illustrations are not binding in detail and can differ from the standard specification. Subject to modification without prior notice.