

Specification sheet

# XF 450

FTN 6X2 Tractor



## ENGINES

|                                |
|--------------------------------|
| XF 450 MX-11 (330 kW / 449 hp) |
| XF 430 MX-13 (315 kW / 428 hp) |
| XF 480 MX-13 (355 kW / 483 hp) |
| XF 530 MX-13 (390 kW / 530 hp) |

## GVM<sup>1)</sup>

25999 kg

Max. front 7000 kg

Max. rear 18999 kg

## GCM<sup>2)</sup>

44000 kg

## CAB EXTERIOR

Space Cab with galvanised steel bumper, tinted glass and electric window openers. Main mirrors and wide angle mirrors electrically heated. Cab width 2490 mm.; Cab suspension mechanical; LED daytime running lights; Front view mirror; Central door lock system, 2 keys, 2 RC units.

### Optional

|   |  |
|---|--|
| <b>03710</b> Comfort Cab                          | <b>08020</b> LED head lights                           |
| <b>01760</b> Super Space Cab                      | <b>09982</b> No auxiliary lights in the bumper         |
| <b>01226</b> Cab suspension air                   | <b>09984</b> Fog lights and cornering lights           |
| <b>01174</b> External sun visor green translucent | <b>06593</b> Skylights                                 |
| <b>06790</b> Aluminium ladder 1-piece             | <b>06628</b> One hazard beacon light at co-driver side |
| <b>06791</b> Aluminium ladder 2-piece             | <b>06627</b> One hazard beacon light at driver side    |
| <b>00847</b> Air horns, single set                | <b>06629</b> Two hazard beacon lights                  |
| <b>09006</b> Air horns, double set                |  |

## AERODYNAMICS

### Optional

|  |  |
|--|--|
| <b>08823</b> Adj. roof air deflector Space Cab; over 4 m (!) | <b>06904</b> Fixed rf deflector; total height over 4 m |
| <b>06776</b> Adjustable roof air deflector                   | <b>07401</b> Winding handle for roof air deflector     |
| <b>08822</b> Adj. roof air deflector for Space Cab           | <b>04906</b> Side collars                              |
| <b>06160</b> Fixed roof air deflector for Super Space Cab    |  |

## COLOURS

Cab colour H3279 Brilliant White; Head lamp panel and bumper: Brilliant White; Chassis colour grey..

## CAB INTERIOR

Cab interior trim colour Dark Sand; Cab interior decoration Delta black; Driver seat: Comfort Air; Co-driver seat: basic; Lower bunk without drawer; Luggage carrier; Automatic Temperature Control and airco; Auxiliary cab heater (water); Pollen filter.

### Optional

|   |   |
|---|---|
| <b>07152</b> Cab interior trim colour Exclusive | <b>07748</b> Co-driver seat: Xtra Leather Air   |
| <b>07592</b> Cab interior decoration Argenta    | <b>00967</b> Seat belts red                     |
| <b>07591</b> Cab interior decoration Rustica    | <b>06539</b> Refrigerator                       |
| <b>07733</b> Driver seat: Luxury Air            | <b>09603</b> Lower bunk with drawer 65 litres   |
| <b>07736</b> Driver seat: Super Air             | <b>06784</b> Lower bunk mattress Xtra Comfort   |
| <b>07737</b> Driver seat: Xtra Leather Air      | <b>01065</b> No upper bunk / no luggage carrier |
| <b>07741</b> Co-driver seat: Comfort Air        | <b>01066</b> Upper bunk                         |
| <b>07743</b> Co-driver seat: Luxury Air         | <b>06676</b> PL light in cab ceiling            |
| <b>07746</b> Co-driver seat: Super Air          | <b>06970</b> Automatic Cab Climate Control      |

## COMMUNICATION AND DRIVING MANAGEMENT

Tachograph digital, Stoneridge 1C version G2V2; Speed limiter setting 85 km/h; Eco off 90 km/h; Antennas: radio, 2x cellular, GNSS; Adaptive Cruise Control with FCW and AEBS-3; Driver Performance Assistant.

### Optional

|   |   |
|---|---|
| <b>09681</b> Preparation for Maut         | <b>06991</b> Predictive Cruise Control      |
| <b>07117</b> Radio/USB player, 2 speakers | <b>06992</b> Predictive Cruise Control lite |

## SAFETY AND SECURITY

Lane Departure Warning System; Vehicle Stability Control (VSC); Basic engine immobiliser system.

### Optional

|  |                                  |
|--|----------------------------------|
| <b>08631</b> Air bag (driver) and 2 seat belt tensioners | <b>09828</b> Front camera system |
| <b>07011</b> DAF Night Lock                              | <b>09827</b> Side camera system  |
| <b>02178</b> Main switch with second control in the cab  | <b>01725</b> Reverse warning     |

## SUSPENSION AND AXLES

Front axle load 8.00 t; Rear: 11.50 + 7.50 t, air suspension, SR1344.

### Optional

|                                     |   |
|-------------------------------------|---|
| <b>06257</b> Front axle load 9.00 t | <b>04588</b> Rear axle SR1347             |
| <b>04647</b> Front springs air      | <b>01946</b> Rear axle load 12.00+ 7.40 t |
| <b>04057</b> Rear axle HR1356       | <b>08191</b> Axle load monitoring         |

## WHEELS AND TYRES

Front axle(s): 315/80R22.5; Driven rear axle(s): 315/80R22.5; Second driven rear or trailing axle: 315/80R22.5; Disc wheels steel, silvergrey; Wheel protection rings silvergrey.

### Optional

|                                   |
|-----------------------------------|
| <b>16152</b> Tyre makes and types |
|-----------------------------------|

## DRIVELINE

Engine MX-11, multi torque 6 cylinder diesel engine, 10.8 litres. Output 330 kW (449 hp) at 1600 rpm. Maximum torque 2300 Nm at 900-1125 rpm.; Exhaust emission Euro 6; Engine idle shutdown, 5 minutes; Automated gearbox, TraXon, 12 speeds; Gearbox ratio 16.69-1.00; Rear axle ratio 2.47; ASR.

### Optional

|   |                                |
|---|--------------------------------|
| <b>04523</b> Manual gearbox, 16 speeds            | <b>02314</b> Gearbox overdrive |
| <b>07103</b> Automated gearbox, TraXon, 16 speeds |                                |

## BRAKE SYSTEM

Exhaust brake; Park brake control with test position; Ventilated disc brakes front and rear. Dual circuit air system with electronic control (EBS). Twin cylinder air compressor with heated dryer and economy mode..

### Optional

|                              |   |
|------------------------------|---|
| <b>09921</b> MX Engine Brake | <b>04901</b> Spring brake cylinders on the first front axle |
| <b>02715</b> ZF Intarder     |   |

## CHASSIS

Wheelbase 3.40 m / rear overhang 0.84 m; Side member height 260 mm; Exhaust pipe horizontal, low; Vert battery box left, no spare wheel carrier; Aluminium fuel tank 430 l, height 620 mm; Tank for AdBlue® 90 l, on left-hand mudguard; Front underrun protection (FUP); Catwalk with step; Rear mudguards; Spray suppression; Work lamp LED.

### Optional

|  |   |
|--|---|
| <b>02601</b> Side member height 310 mm   | <b>16157</b> Fuel tanks, material and sizes |
| <b>06611</b> Exhaust pipe vertical, high | <b>03323</b> Rear light with LEDs           |

## DRAWBAR AND TRAILER EQUIPMENT

Fifth wheel JOST type JSK42, cast iron, height 185 mm with 40 mm mounting plate. King pin diameter 2 inches.; Fifth wheel KA dimension -30 mm; Pneumatic trailer connection palm type; Electric connection 24 V / 2x7 pins; Trailer connection storage box.

### Optional

- |  |  |
|--|--|
| <b>03178</b> Towing hook D= 4.3                | <b>08026</b> Trailer coupling Rockinger D=13.0 |
| <b>07033</b> Trailer coupling Ringfeder D=13.7 | <b>16151</b> 5th wheel makes and heights       |

## POWER TAKE-OFF (PTO)

### Optional

- 16148** PTO types and positions

## 24V POWER SUPPLY

Alternator 120 A, batteries 2x 230 Ah..

### Optional

- |                               |   |
|-------------------------------|---|
| <b>08775</b> Alternator 150 A | <b>07671</b> Batteries 2x210Ah AGM C-type |
|-------------------------------|---|

## GVM AND GCM

Chassis weight related technical GVM max 27000 kg; Driveline related max GCM 50000 kg class 3.

### Optional

- |   |   |
|---|---|
| <b>03673</b> Driveline related max GCM 44000 kg class 2 | <b>00818</b> Driveline related max GCM 60000 kg class 3 |
| <b>00939</b> Driveline related max GCM 56000 kg class 2 |   |

## APPLICATION CONDITIONS

Air intake high.

### Optional

- |                               |                                       |
|-------------------------------|---------------------------------------|
| <b>08400</b> Silent mode      | <b>03648</b> Cyclonic air intake high |
| <b>03646</b> Air intake front |                                       |

## SERVICE AND MAINTENANCE

Warranty Plus - Driveline, takes care of 1 year complete vehicle as supplied by the OEM (excl. real wear parts), 2nd and 3rd year driveline up to 300,000 km and 1st year breakdown.; ITS service.

### Optional

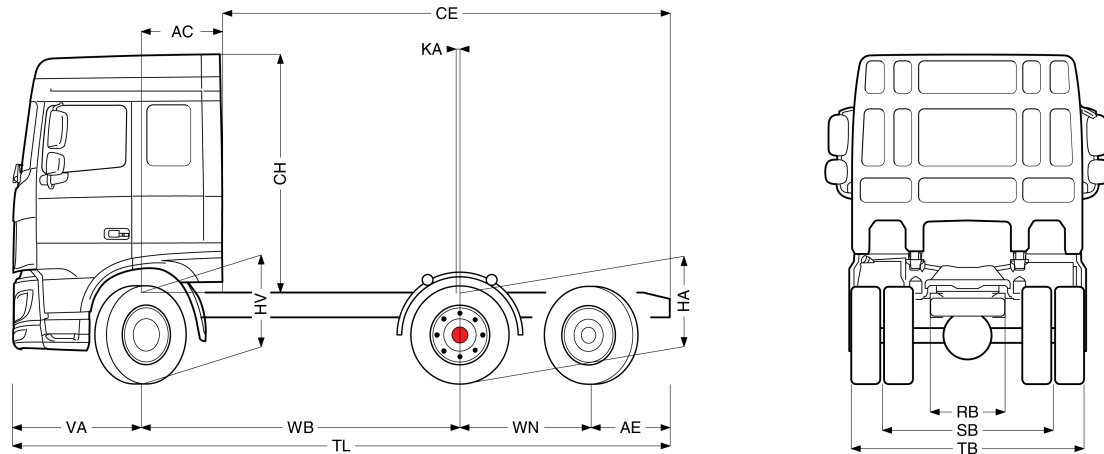
- 08311** Service interval extended



Go to [DAF.com](https://www.daf.com) to configure your own perfect DAF.

# XF 450

## FTN 6X2 Tractor



|                 | Wheelbase - AE |                  | Unladen weight <sup>1)</sup> |      |       | Gross Carrying Capacity |       |       | Variable dimensions |      |      |                  |      |                  |                  |                  |                   |
|-----------------|----------------|------------------|------------------------------|------|-------|-------------------------|-------|-------|---------------------|------|------|------------------|------|------------------|------------------|------------------|-------------------|
|                 | WB             | AE <sup>5)</sup> | Front                        | Rear | Total | Front                   | Rear  | Total | AC                  | CE   | CH   | KA <sup>6)</sup> | TL   | HA <sup>7)</sup> | HA <sup>8)</sup> | TK <sup>9)</sup> | TW <sup>10)</sup> |
| SPACE CAB       | 3,40           | 0,84             | 4965                         | 3252 | 8217  | 2035                    | 15746 | 17781 | 0,88                | 4,76 | 2,56 | -0,03            | 7,01 | 1,00             | 0,97             | 12,47            | 13,81             |
|                 | 3,70           | 1,10             | 4941                         | 3175 | 8116  | 2059                    | 15824 | 17883 | 0,88                | 5,32 | 2,51 | 0,00             | 7,57 | 1,05             | 1,02             | 13,25            | 14,60             |
| SUPER SPACE CAB | 3,40           | 0,84             | 5031                         | 3249 | 8279  | 1969                    | 15750 | 17719 | 0,88                | 4,76 | 2,94 | -0,03            | 7,01 | 1,00             | 0,97             | 12,47            | 13,81             |
|                 | 3,70           | 1,10             | 5006                         | 3171 | 8178  | 1994                    | 15828 | 17821 | 0,88                | 5,32 | 2,89 | 0,00             | 7,57 | 1,05             | 1,02             | 13,25            | 14,60             |

OTHER DIMENSIONS VA: 1,37 WN: 1,40 HV<sup>11)</sup>: 1,00 HV<sup>12)</sup>: 0,94 RB: 0,79 SB: 1,82 TB<sup>13)</sup>: 2,48

1) GVM in conformity with registration documents.  
 2) GCM in conformity with registration documents.  
 3) Axle load with standard tyre size.  
 5) Other AE dimensions may be available for shown WB.  
 6) Calculate customer specific KA with TOPEC.

7) Unladen height at centre of driven axle(s).  
 8) Laden height at centre of driven axle(s).  
 9) TK = turning circle between kerbs.  
 10) TW = turning circle between walls.  
 11) Unladen height at centre of front axle(s).  
 12) Laden height at centre of front axle(s).  
 13) TB is overall width at rear. (At centre of front axle 255).

Depending on the vehicle configuration a specific option may not be possible. The availability and specification of this vehicle may differ per country. For further information please contact the DAF organisation. Pictures and technical illustrations are not binding in detail and can differ from the standard specification. Subject to modification without prior notice.