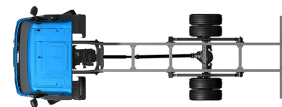


# Specification sheet

# LF 190

FA 4X2 Rigid, 16t RoadSweeper



## ENGINES

LF 190 PX-5 (139 kW / 189 hp)

LF 210 PX-5 (153 kW / 208 hp)

LF 230 PX-7 (167 kW / 227 hp)

## GVM<sup>1)</sup>

16000 kg

## GCM<sup>2)</sup>

16000 kg

Max. front 6000 kg

Max. rear 10500 kg

067F4602BCAA - 202345C - 21-08-2023

Greece, ERGOTRAK, [www.daftrucks.gr](http://www.daftrucks.gr)

## CAB EXTERIOR

Day Cab with steel bumper, tinted glass and electric window openers. Main mirrors and wide angle mirrors electrically heated. Cab width 2130 mm.; Green tinted glass; Electrically adjustable mirrors; Mirror brackets, body 2.50-2.60 m; Front view mirror.

### Optional

<b>09983</b> Fog lights	<b>09101</b> Green tinted glass, heated
<b>09984</b> Fog lights and cornering lights	<b>09282</b> Mirror brackets, body 2.30-2.40 m
<b>07343</b> Kerb view window co-driver door	<b>09283</b> Mirror brackets, body 2.40-2.50 m
<b>00915</b> Side no glass / rear single glass	

## COLOURS

; Head lamp panel and bumper: Stone Grey; Chassis colour grey..

### Optional

<b>06150</b> Solid cab colour	<b>04431</b> Special metallic cab colour
<b>00061</b> Special solid cab colour	
<b>06151</b> Cab metallic colour	<b>06485</b> Head lamp panel and bumper: cab colour
	<b>16153</b> Cab and chassis colours

## CAB INTERIOR

Mechanically adjustable steering column; Driver seat: air suspended; Co-driver seat: fixed velour; Storage box on engine tunnel.

### Optional

<b>09271</b> Steering wheel, leather, colour black	<b>02600</b> Co-driver seat: air suspended
<b>03516</b> Pneumatically adjustable steering column	<b>09106</b> Dual mate seat, luxury version
<b>06012</b> Co-driver seat: fixed vinyl	<b>00967</b> Seat belts red
<b>03376</b> Dual mate seat, vinyl	<b>02214</b> No air conditioning
<b>00072</b> Dual mate seat, velour	<b>04246</b> Roof hatch, manual control

## COMMUNICATION AND DRIVING MANAGEMENT

FMS connector, prepared; Tachograph digital, Stoneridge 1C version G2V2; Adaptive Cruise Control with FCW and AEBS-3.

### Optional

<b>16155</b> Audio equipment, makes and types
---

## SAFETY AND SECURITY

Lane Departure Warning System; Vehicle Stability Control (VSC); Basic engine immobiliser system.

### Optional

<b>08631</b> Air bag (driver) and 2 seat belt tensioners	<b>06634</b> Immobiliser 5 minutes and alarm (SCM BV03-B2)
<b>01725</b> Reverse warning	<b>06635</b> Immobiliser 15 minutes and alarm (SCM BV03-B3)
<b>07414</b> Reverse warning with self-adjusting volume	
<b>06633</b> Immobiliser 5 minutes (SCM BV03-B1)	<b>16156</b> EC-ADR packages

## SUSPENSION AND AXLES

Front: 6.00 t, parabolic, F60; Rear: 10.50 t, asymmetric parabolic, SR10.26.

### Optional

<b>06412</b> Rear axle load 9.80 t
------------------------------------

## WHEELS AND TYRES

Front axle(s): 285/70R19.5; Driven rear axle(s): 285/70R19.5; Wheel protection rings silvergrey.

### Optional

<b>06764</b> Wheel protection rings black	<b>16152</b> Tyre makes and types
---	-----------------------------------

## DRIVELINE

Engine PX-5, 4 cylinder diesel engine, 4.5 litres. Output 139 kW (189 hp) at 2300 rpm. Max. torque 745 Nm at 1200-1700 rpm.; Exhaust emission Euro 6; No engine idle shutdown; Manual gearbox, 6 speeds; Gearbox ratio 6.75-0.78; Rear axle ratio 5.13.

### Optional

<b>04393</b> Manual gearbox, 9 speeds	<b>02313</b> Gearbox direct drive
<b>07667</b> Automatic gearbox PowerLine, 8-speed	

## BRAKE SYSTEM

Exhaust brake.

## CHASSIS

Wheelbase 3.26 m / rear overhang 1.00 m; Side member height 270 mm; DPF/SCR unit behind the cab, vertical discharge; Plastic fuel tank 115 l; Tank for AdBlue® 20 l, left behind the cab; Spray suppression.

### Optional

<b>03323</b> Rear light with LEDs
-----------------------------------

## DRAWBAR AND TRAILER EQUIPMENT

Closing member.

## BODIES AND PREPARATIONS FOR BODYING

BodyBuilder Module (BBM) full; Application connector for road sweeper; Standard body attachment hole pattern.

## POWER TAKE-OFF (PTO)

### Optional

<b>16148</b> PTO types and positions
--------------------------------------

## 24V POWER SUPPLY

Alternator 80 A, batteries 2x 125 Ah..

### Optional

<b>01897</b> Alternator 100 A
-------------------------------

## GVM AND GCM

Chassis weight related technical GVM max 16000 kg; Driveline related technical GCM = GVM+3500 kg.

## APPLICATION CONDITIONS

Moisture separator, unheated; Air intake on the cab roof.

### Optional

<b>02270</b> Cold climate	<b>04987</b> Radiator flyscreen
<b>04767</b> Moisture separator, heated	

**VEHICLE DELIVERY**

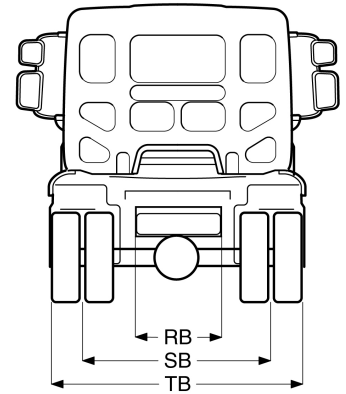
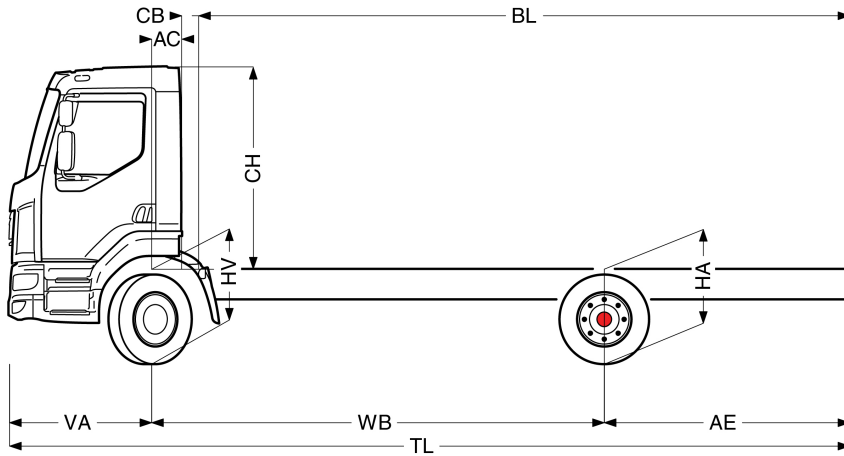
Standard toolkit.



**Go to [DAF.com](https://www.daf.com) to configure your own perfect DAF.**

# LF 190

## FA 4X2 Rigid, 16t RoadSweeper



	Wheelbase - AE		Unladen weight <sup>1)</sup>			Gross Carrying Capacity			Variable dimensions									
	WB	AE <sup>5)</sup>	Front	Rear	Total	Front	Rear	Total	AC	CB <sup>6)</sup>	CH <sup>7)</sup>	BL <sup>8)</sup>	BL	TL	HA <sup>9)</sup>	HA <sup>10)</sup>	TK <sup>11)</sup>	TW <sup>12)</sup>
DAY CAB	3,26	1,00	2780	1161	3941	3220	9339	12059	0,28	0,44	1,85	3,35	3,61	5,59	1,06	0,99	11,86	13,02

OTHER DIMENSIONS      VA: 1,33    HV<sup>13)</sup>: 1,04    HV<sup>14)</sup>: 0,96    RB: 0,79    SB: 0,02    TB<sup>15)</sup>: 0,63

1) GVM in conformity with registration documents.  
 2) GCM in conformity with registration documents.  
 3) Axle load with standard tyre size.  
 4) Chassis and cab weight calculated with: Standard specification items only with 0 litres of fuel, 0 litres of AdBlue® and driver of 75 kg, tolerance ± 3%. Changing of the specification can have major impact on vehicle weight.  
 5) Other AE dimensions may be available for shown WB. Modify rear overhang to the calculated body length.  
 6) CB is based on standard air intake and/or exhaust.  
 7) Cab height is measured from frame member to closed cabin roof hatch.

8) Calculate customer specific body length with TOPEC. Body lengths shown based on evenly distributed load at max axle load.  
 9) Unladen height at centre of driven axle(s).  
 10) Laden height at centre of driven axle(s).  
 11) TK = turning circle between kerbs.  
 12) TW = turning circle between walls.  
 13) Unladen height at centre of front axle(s).  
 14) Laden height at centre of front axle(s).  
 15) TB is overall width at rear. (At centre of front axle 255).

Depending on the vehicle configuration a specific option may not be possible. The availability and specification of this vehicle may differ per country. For further information please contact the DAF organisation. Pictures and technical illustrations are not binding in detail and can differ from the standard specification. Subject to modification without prior notice.