

XF series cabs

Exterior



The long-distance cab

The XF is easily recognized from a distance by its modern, rounded lines, dominated by a large grille and a wide aluminium brushed upper section with a chrome edged DAF logo. In combination with the beautifully styled headlights, optional with LED technology, and the steel front bumper, a fresh and modern look is created. Fog lights, with or without cornering lights, are integrated in the bumper. A large area is available below the windscreen for the owner's company name and logo.

The appealing silver accents of the louvres of the grille, the bumper air intake and the new, optional sun visor (standard on the Super Space Cab) complete the impressive looks of the cab.

Large access steps and handgrips make windscreen cleaning easy and safe. The telescopic windscreen wiper and de-icer, standard equipment in each XF, make cleaning even easier and safer.

Aerodynamics

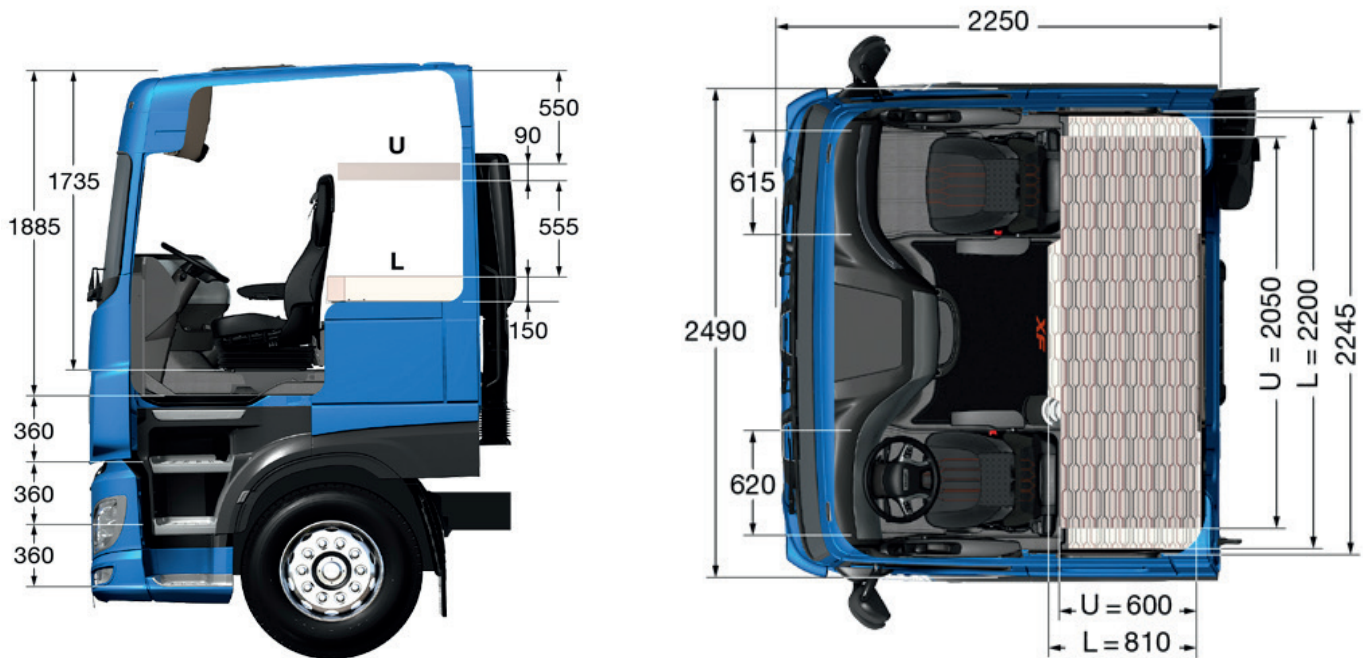
The XF has undergone hidden aerodynamic changes to the grille and wheelbay to improve the aerodynamic efficiency. More visibly the air management accessories, like adjustable and fixed roof air deflectors, side collars and side skirts, contribute to reducing fuel consumption. They also enhance the overall appearance of the vehicle and thus contribute to a positive image of the operator.

All cab variants have corner air deflectors with vanes that guide the airflow along the cab sides in order to prevent fouling of the door handles and side windows. Air venturies are integrated in the headlight units to reduce fouling in the area below the door handles.

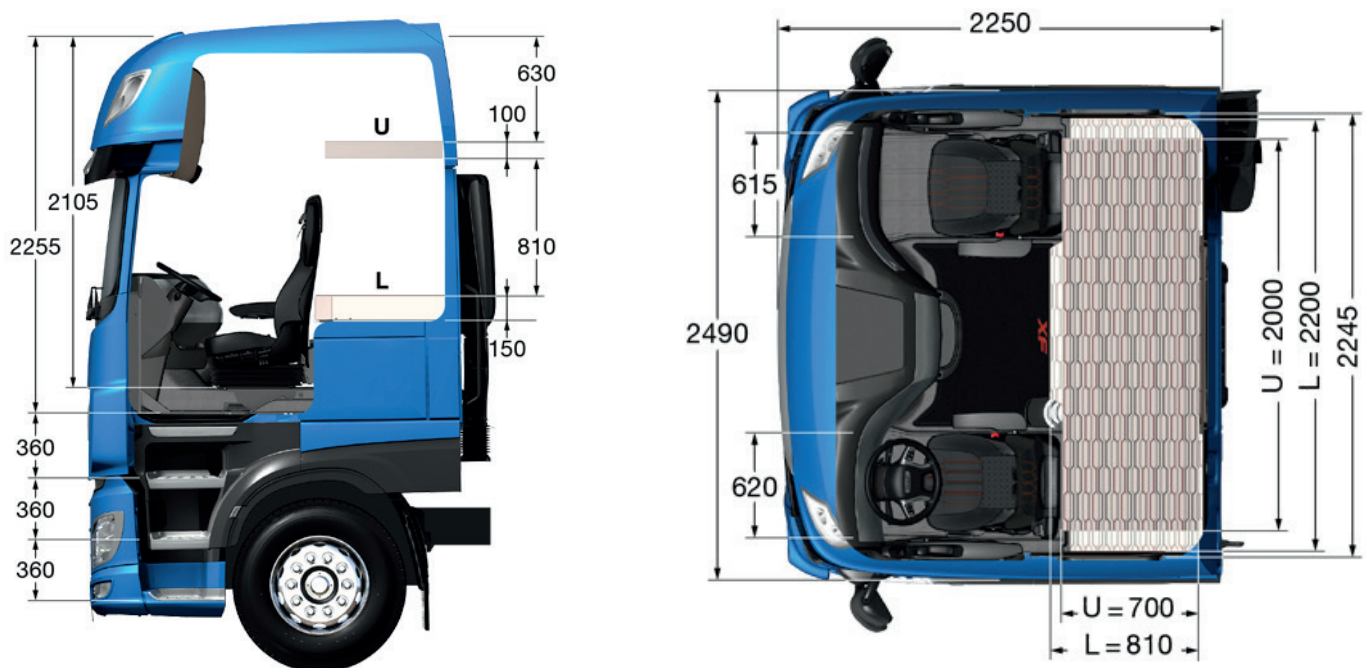
XF series cabs

Dimensions

Space Cab



Super Space Cab



XF series cabs

Interior



Keep the good things, add even more

Its distinctive, right-angled box shape and its clever layout made the XF cab an all-time winner and the number one long haul tractor in Europe. Therefore DAF did not abandon a proven cab concept, but rather took the intrinsic values as a starting point for the development of the new interior.

Interior trim

A complete new interior trimming with new materials, new colour schemes, subtle ornaments and excellent workmanship have brought the whole cab interior at a clearly higher level.

Driving

New standard tachograph down counters for remaining drive and rest time, new fonts and styling of the dashboard instrument panel, enhanced fuel efficient driving settings, improved PCC, new seat materials, a completely new heating, ventilation and air conditioning system with rest heat function and an easy to handle control unit, interchangeable switches and standard silver accents in the steering wheel are just a few keywords that represent the overall improvement in terms of driving comfort, fuel saving and safety.

Living

The enormous living space in the XF cab has remained. As have the comfortable seating position on the bed, the standard extendible table leaf in the dashboard centre console and the large overhead storage compartments to put a micro-wave oven or a coffee-maker. The new cab trim and the state-of-the-art interior light switch with integrated dimming function make living in the XF cab even more agreeable.

Sleeping



All along, with a large, one-piece lower bunk mattress, the sleeping comfort in the XF cab meets the very best available in the market. The improved rear wall control panel with a.o. cab interior lighting switch and optional auxiliary heater control as well as the insulation of the cab and specific measures to prevent rise of cold and damp from beneath the bunk contribute to further sleeping comfort.

Storage

The large overhead storage compartments and the unique large storage volume beneath the lower bunk left little room for improvement. This also applies to the additional storage space for small items in the form of toll-card slots and swing-out cup holders, easy convertible to larger mug holders in the dashboard centre console and a storage tray against the cab rear wall.

XF series cabs

Specifications

	XF Space Cab	XF Super Space Cab
		
Cab suspension:		
Mechanical	●	●
Air	○	○
Auxiliary lights:		
Fog lights	●	●
Cornering lights	○	○
Skylights	-	○
LED headlamps	○	○
Ancillaries in cab colour:		
Cab step area and mudguards	○	○
Mirrors	○	○
Air intake	○	○
Door handles	○	○
Cab interior:		
Interior trim Dark Sand or Exclusive	○	○
Decoration strips Rustica, Argenta or Piano Black	○	○
Steering wheel leather	○	○
Airconditioning	●	●
Cab Climate Control	○	○
Rest Heat	○	○
Automatic temperature control	●	●
DAF Night Lock	○	○
Refrigerator	○	○
Lower bunk with drawer	○	○
Bed:		
Lower bed – foam mattress	●	●
Lower bed – Xtra Comfort mattress	○	○
Upper bed - Luggage carrier	●	●
Upper bed – foam mattress	○	●
No upper bed	○	-
Centre curtain	○	●

- = basic
- = optional
- = not applicable

Depending on the vehicle configuration a specific option may not be possible. The availability and specification may differ per country. For further information please contact the DAF organisation. Subject to modification without prior notice.