

# CF series cabs

## Exterior



### The distribution cab

The cab front is the business card of the vehicle and its owner. The most dominant is the impressive grille with wide horizontal cooling openings and an aluminium brushed upper section with a chrome edged DAF logo. A large area for the owner's company name and logo is available below the windscreen. The modern appearance of the cab is supported by rounded cab edges, beautifully styled headlights, optional with LED technology, and a steel front bumper. Appealing silver accents below the louvres of the grille, the bumper air intake and the new, optional sun visor complete the elegant looks of the cab.

The tapered cab shape has been retained for maximum maneuverability in confined areas and easy driving in dense traffic. Various cab executions are available in order to specifically adapt the CF vehicles to their applications.

The full 2.50 m width over the mudguards gives an optimum aerodynamic fit with the superstructure or semi-trailer.

Large access steps and handgrips make windscreen cleaning easy and safe. With the standard telescopic windscreen wiper and de-icer cleaning can even be performed while standing on the ground.

### Aerodynamics

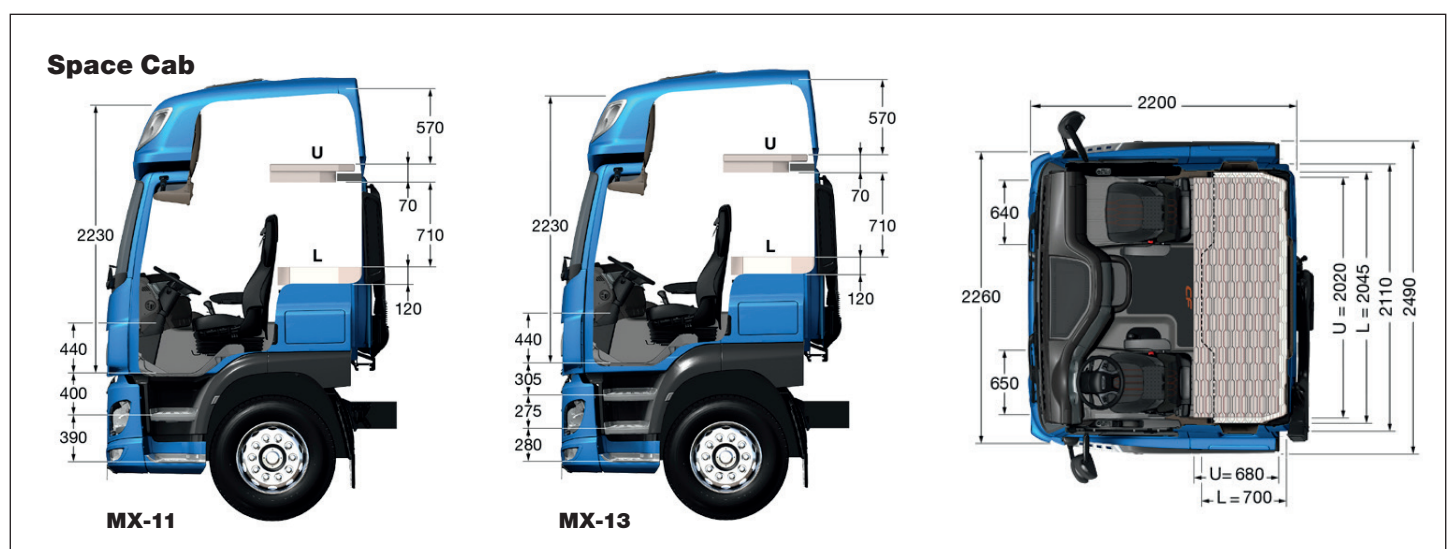
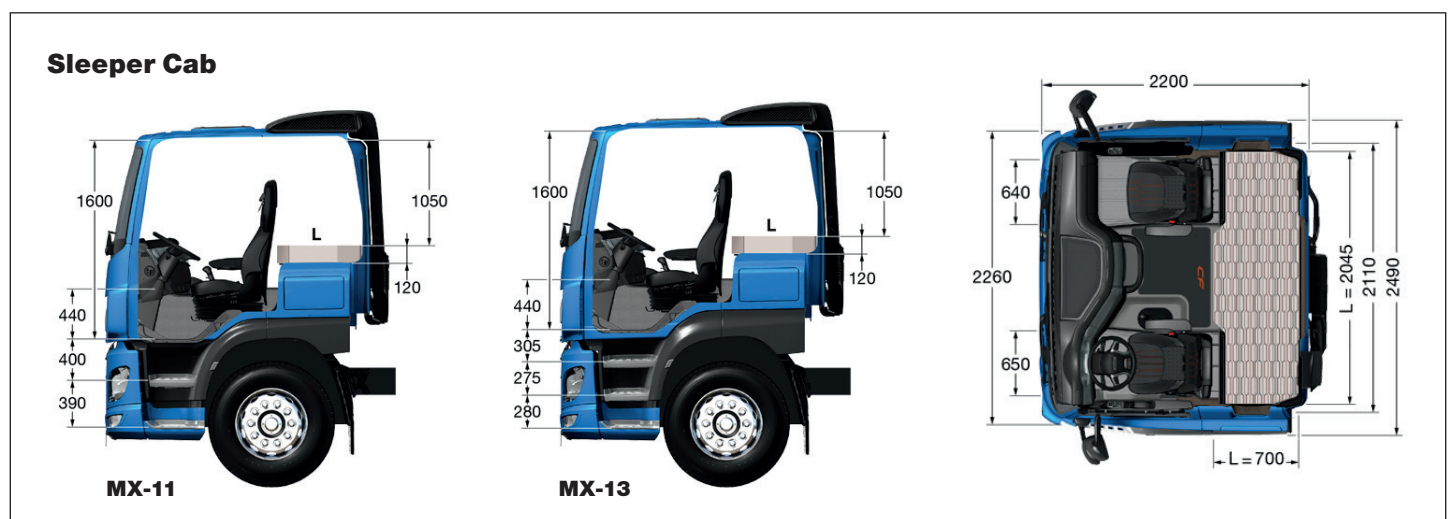
Air management accessories, like adjustable roof air deflectors, side collars and side skirts, improve the aerodynamic efficiency and therefore contribute to reducing fuel consumption. The net result is more earnings per kilometre. These accessories also enhance the overall appearance of the vehicle and thus contribute to a positive image of the operator.

All cab variants have corner air deflectors with vanes that guide the airflow along the cab sides in order to prevent fouling of the door handles and side windows.



# CF series cabs

## Dimensions





# CF series cabs

## Interior



### Keep the good things, add even more

Although the basic shape of the CF cabs was retained, many changes were introduced to the cab interior to bring it as a whole to a much higher level. The result is a stylish, inviting interior, which will please every driver.

### Interior trim

A complete new interior trimming with new materials, new colour schemes and excellent workmanship give the CF cab a fresh, modern appearance. A state-of-the-art interior light switch with integrated dimming function in the dashboard centre console immediately attracts attention and fits perfectly in the professional appearance of the cab.

### Driving




The dashboard features interchangeable switches and new fonts and styling of the instrument panel. New tachograph down counters for remaining drive and rest time are standard as are the silver accents in the steering wheel. Fuel efficient driving settings have been improved and a completely new heating, ventilation and air conditioning system with optional rest heat function and an easy to handle control unit is introduced for further driving comfort, fuel saving and safety. The rest heat function uses the 'rest heat' in the engine coolant to warm the cab for up to 1 hour. This function is meant to maintain a comfortable cab temperature during short stops.

### Foot pedals

The CF cab features hanging pedals for the clutch (if applicable), service brake and accelerator. The clutch pedal is placed close to the cab floor to provide the best possible drive-off control. The position of the other two pedals allows easy change from accelerator to brake and back. An additional advantage is easy cleaning of the area.

# CF series cabs

## Specifications

	Day Cab	Sleeper Cab	Space Cab
			
<b>Cab suspension:</b>			
Mechanical	●	●	●
Air	○	○	○
<b>Lights:</b>			
LED Daytime Running Lights	●	●	●
LED headlights	○	○	○
Fog lights and cornering lights	○	○	○
Skylights	-	-	○
<b>Cab interior:</b>			
Interior trim Dark Sand or Exclusive	○*	○*	○*
Interior decoration Black Rock, Argenta or Rustica	○*	○*	○*
Driver Performance Assistant (DPA)	●	●	●
Driver seat	Comfort Air*	Comfort Air*	Comfort Air*
Co-driver seat	Basic*	Basic*	Basic*
Third seat	○	-	-
Storage box on engine tunnel	●	-	-
Refrigerator	-	○	○
Lower bed - Xtra Comfort mattress	-	○	○
Air conditioning	●	●	●
Cab climate control	○	○	○
Rest heat	○	○	○
Automatic temperature control	○*	○*	○*
Leather steering wheel	○	○	○
Auxiliary heater / timer	○	○	○
Roof hatch	●*	●*	●*
Truck Navigation Radio (TNR)	○	○	○
<b>Cab exterior:</b>			
Electrically adjustable and heated main mirrors	●	●	●
Sun visor	○	○	○
Lower cab area in cab colour	○	○	○
Mirrors covers in cab colour	○	○	○

\*\* = MX-11 only

\* = More variants available

● = basic

○ = optional

- = not applicable

Depending on the vehicle configuration a specific option may not be possible. The availability and specification may differ per country. For further information please contact the DAF organisation. Subject to modification without prior notice.