



©202028 DAF Trucks N.V., Eindhoven,
The Netherlands.

In the interest of continuing product development,
DAF reserves the right to change specifications
or products at any time without prior notice.

No part of this publication may be reproduced
and/or published by printing, by photocopying, on
microfilm or in any way whatsoever without the
prior consent in writing of DAF Trucks N.V.

EMERGENCY RESPONSE GUIDE

TABLE OF CONTENTS

	Page	Date
1. SECURING THE VEHICLE	1-1	202028
1.1 Switching off the engine	1-1	202028
1.2 Main switch	1-2	202028
1.3 Batteries	1-4	202028
1.4 Airbag	1-5	202028
1.5 Fluids	1-7	202028
1.6 Regeneration unit	1-9	202028
2. STABILISING THE VEHICLE	2-1	202028
2.1 Seat adjustment	2-1	202028
2.2 Air suspension chassis	2-2	202028
2.3 Cabin suspension	2-3	202028
3. RELEASING A TRAPPED DRIVER	3-1	202028
3.1 Cabin types	3-1	202028
3.2 Cabin dimensions	3-2	202028
3.3 Opening the grille	3-5	202028
3.4 Doors	3-6	202028
3.5 Door lock	3-7	202028
3.6 Mechanical steering wheel adjustment	3-8	202028
3.7 Steering wheel adjustment	3-9	202028
4. TOWING INFORMATION	4-1	202028
4.1 Removing the prop shaft	4-1	202028
4.2 Releasing the parking brake	4-2	202028
4.3 Towing	4-3	202028
5. LIFTING INFORMATION	5-1	202028
5.1 Lifting at the front or back	5-1	202028
5.2 Jacking up mechanically sprung front axles	5-2	202028
5.3 Jack up at the back	5-3	202028

EMERGENCY RESPONSE GUIDE

Table of contents

1

1. SECURING THE VEHICLE

1.1 SWITCHING OFF THE ENGINE

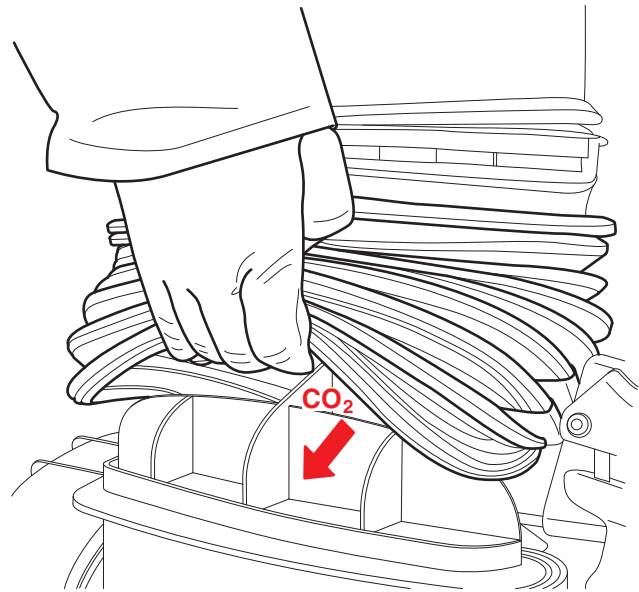
Ignition switch

If the ignition switch can be reached, an attempt can be made to stop the engine by switching off the ignition.

CO₂

Another method is to blow CO₂ into the air inlet. The engine no longer receives sufficient oxygen so it stops.

The air inlet can be accessed behind the cabin. First, lift the rubber gaiter and blow CO₂ into the bottom half using a fire extinguisher.



G001281

EMERGENCY RESPONSE GUIDE

Securing the vehicle

1.2 MAIN SWITCH

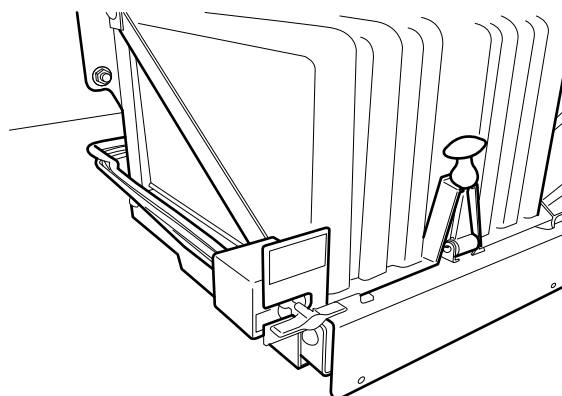
If the vehicle is equipped with a main switch, it is either mechanically or electronically operated, depending on the vehicle version.

The switch can be used to **interrupt** the power supply from the **batteries** to the **vehicle** (except for the tachograph).

Electronic main switch

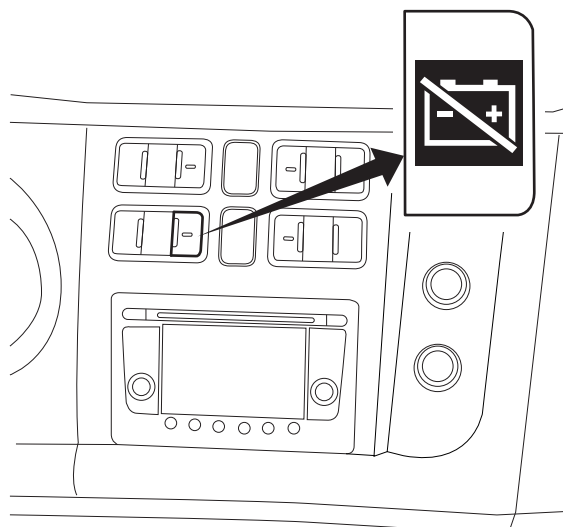
The electronic main switch does not switch off at once when it is operated; this happens with a 10-second delay. This is to allow the after-running of various electrical systems on the vehicle.

The electronic main switch (usually located close to the battery pack).



G002344

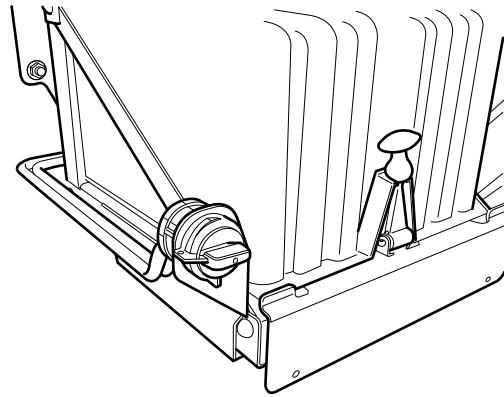
If the vehicle is equipped with an electronic main switch, there is also a switch on the centre console in the cabin.



E505013

Mechanical main switch

Mechanically operated main switches only have a switch outside the cabin.



G002345

1

EMERGENCY RESPONSE GUIDE

Securing the vehicle

1.3 BATTERIES

Location of the batteries

The batteries are located on the left- or right-hand side of the chassis frame, or at the rear within the chassis.

Disconnecting the batteries

1. Switch off the ignition.
2. Switch off all electrical consumers.
3. Remove the battery cover.
4. Disconnect the battery clamp from the negative pole.
5. Disconnect the battery clamp from the positive pole.
6. Hold the positive and negative cables together to discharge any power that may be stored in the capacitors.
7. Secure the cables; make sure that they cannot come into contact with the terminals.

1

1.4 AIRBAG



WARNING! Airbag modules and safety belt tensioners are pyrotechnic systems and contain an explosive charge.



G001309

Vehicles equipped with an airbag and safety belt tensioner system can be identified by a sticker with the airbag symbol on the windscreen. In addition, there is an identification 'AIRBAG' visible on the steering wheel. A vehicle equipped with an airbag also has an automatic safety belt tensioner.



1

EMERGENCY RESPONSE GUIDE

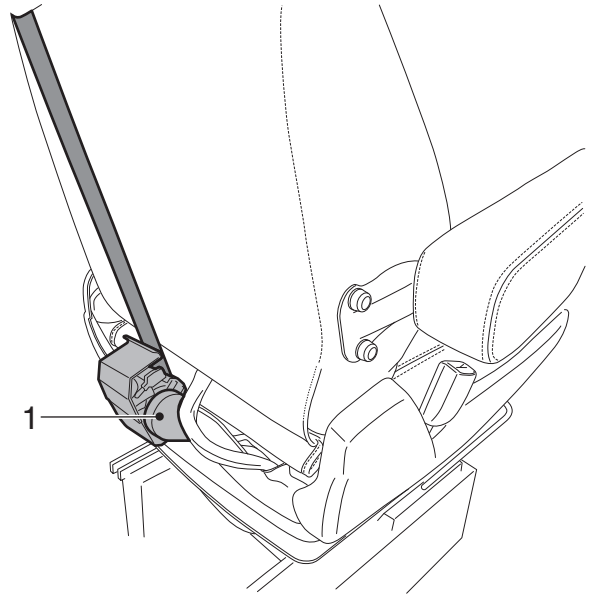
Securing the vehicle

1 Safety belt tensioner

The automatic safety belt tensioner is fitted on the rear side of the driver's and co-driver's seat.

Safety instructions

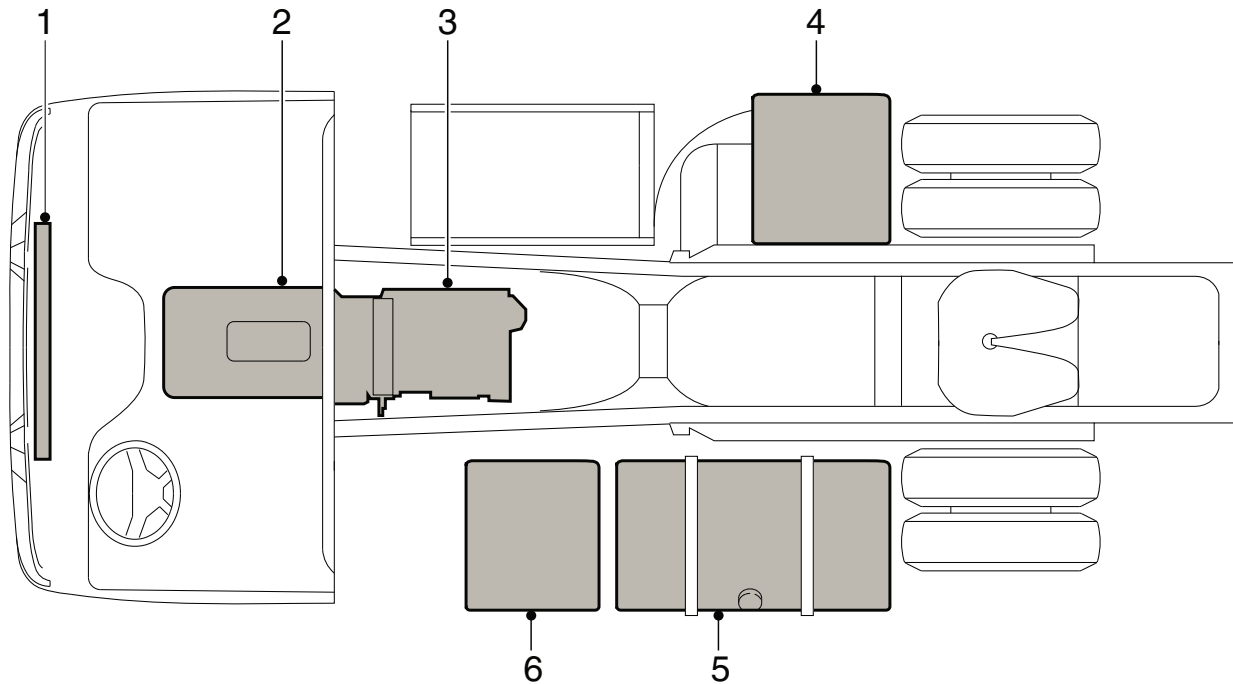
- Do not place any objects near undeployed airbags
- Before any work is carried out on an airbag system:
 1. the ignition must be switched off.
 2. the main switch must be turned off.
 3. the battery clamp must be removed from the negative pole.
 4. wait at least 30 seconds.
- Never disconnect an electrical connector in the airbag or safety belt tensioner circuits if the electronic control unit is energised.



G001312

1

1.5 FLUIDS



- 1 Coolant: 48 litres
- 2 Engine oil: 17- 23.5 litres
- 3 Gearbox oil: 14 litres
- 4 AdBlue: 25 or 50 litres
- 5 Fuel: up to 430 litres
- 6 Battery acid

K104001

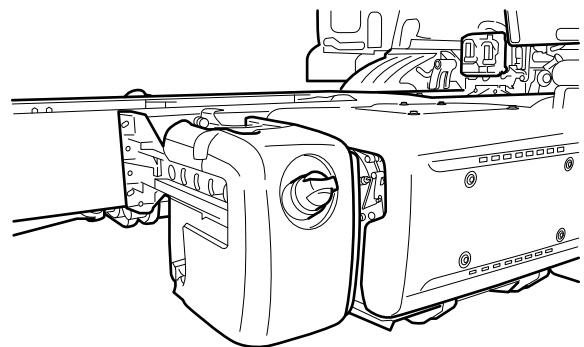
The capacities and position of the tanks depend on the vehicle type.

AdBlue

AdBlue is a non-flammable, non-toxic, colourless, odourless and water-soluble liquid.

AdBlue is a liquid consisting of 32.5% urea and 67.5% water.

AdBlue must meet the specifications according to DIN 70070.



i403576

EMERGENCY RESPONSE GUIDE

Securing the vehicle

1

High temperatures

If AdBlue is heated in the tank to 50°C over a long period of time, the decomposing AdBlue can produce ammonia vapours. Ammonia vapours have a pungent odour. For this reason, avoid inhaling possible ammonia vapours escaping when unscrewing the AdBlue filler cap. These concentrations of ammonia vapours are neither toxic nor hazardous to health.

Low temperatures

AdBlue freezes at temperatures of approximately -11°C.



WARNING!

AdBlue safety instructions

- ***Avoid direct contact.***
- ***In the event of contact with the skin, rinse with plenty of water.***
- ***In the event of contact with the eyes, rinse for at least 15 minutes with plenty of water and seek medical assistance.***
- ***If swallowed, rinse mouth with plenty of water; do not induce vomiting.***
- ***Use in a ventilated area.***

Procedure after spillage

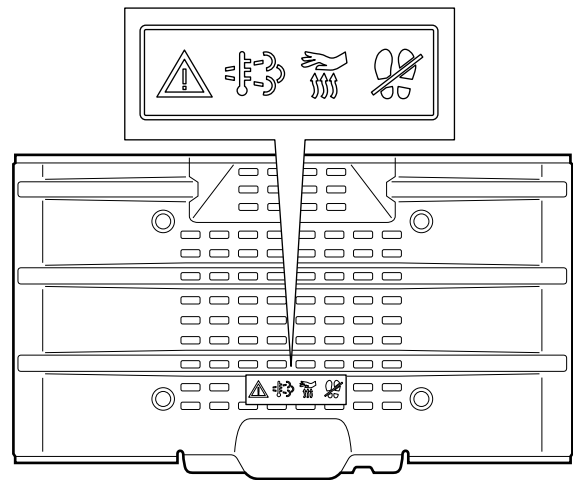
- ***Rinse with plenty of water.***

1.6 REGENERATION UNIT

During regeneration the exhaust gases, the surroundings of the regeneration unit and the catwalk can reach high temperatures that can potentially harm bystanders or the surrounding area.



WARNING! *There is a risk of fire or other hazardous situation if the temperature can ignite flammable materials.*



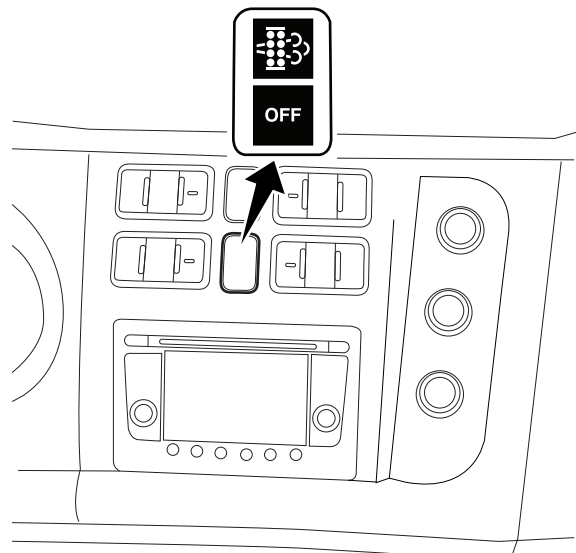
G001936

Switch off the regeneration unit

Set the switch in the OFF position to stop or inhibit regeneration.



NOTE: *Stopping a regeneration is only possible on a limited number of vehicles specifications where the DPF switch has an 'OFF' function.*



G002346

EMERGENCY RESPONSE GUIDE

Securing the vehicle

1

2. STABILISING THE VEHICLE

2.1 SEAT ADJUSTMENT



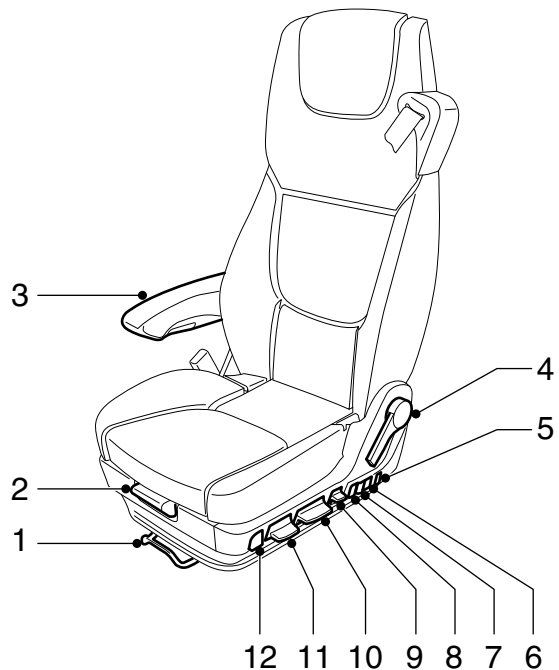
NOTE: Before removing the seat, be aware of the safety instructions if the vehicle is equipped with an airbag and therefore an automatic safety belt tensioner.



NOTE: The seat can be adjusted if the vehicle air pressure is at least 7 bar.

Seat settings

- 1 Seat length adjustment.
- 2 Seat cushion length adjustment.
- 3 Armrest (optional).
- 4 Backrest angle adjustment.
- 5 Seat cushion heating (only on driver seat version).
- 6 Upper lumbar support adjustment (only on comfort seat).
- 7 Lower lumbar support adjustment (only on comfort seat).
- 8 Lateral support adjustment (only on comfort seat).
- 9 Vertical seat damper.
- 10 Seat height adjustment.
- 11 Seat tilt adjustment.
- 12 Quick down.



10. Seat height adjustment



11. Seat tilt adjustment



12. Quick down
Knob down (seat in driving position): the seat drops to its lowest position.
Knob up (with lowered seat): the seat rises to the last height adjustment.

EMERGENCY RESPONSE GUIDE

Stabilising the vehicle

2.2 AIR SUSPENSION CHASSIS

General

On vehicles equipped with air suspension, a remote control unit is used to operate the vehicle height.

The remote control unit is located against the console of the driver's seat.



NOTE: This control unit can only be operated when the ignition is switched on.



NOTE: Unless stated otherwise, the keys need only be pressed once briefly.

Remote control A



rear of truck selected



automatic setting of normal driving height



lifting of chassis to pre-set height



as M1, but for a different chassis height



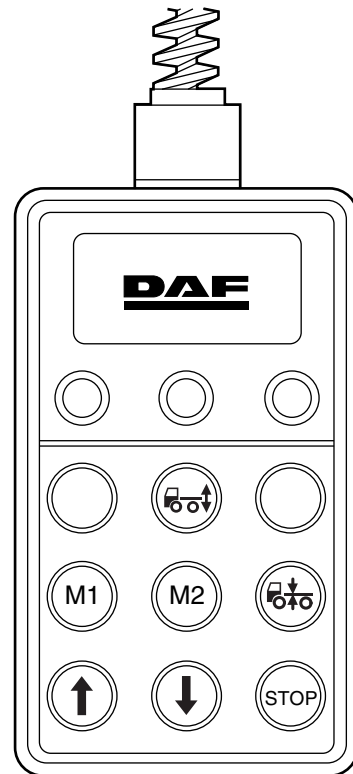
lifting of selected chassis ends when the key is released



lowering of selected chassis ends when the key is released



all adjustments are stopped

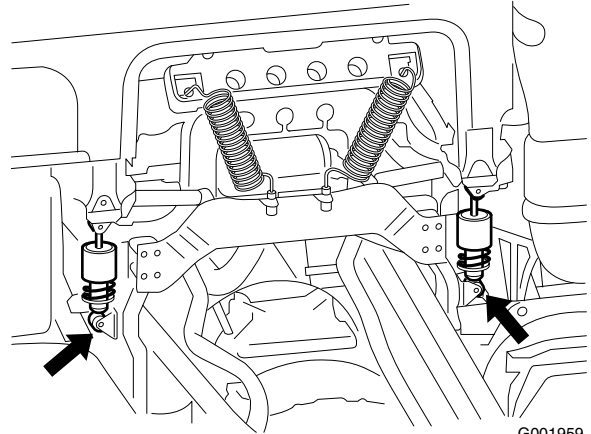


C900268

2.3 CABIN SUSPENSION

The cabin is equipped with mechanical suspension.

Rear cabin mechanical suspension



G001959

Front cabin mechanical suspension

At the front the cabin can have rubber blocks or springs. They can be reached by removing the lower grille, and if necessary, the headlight panels.

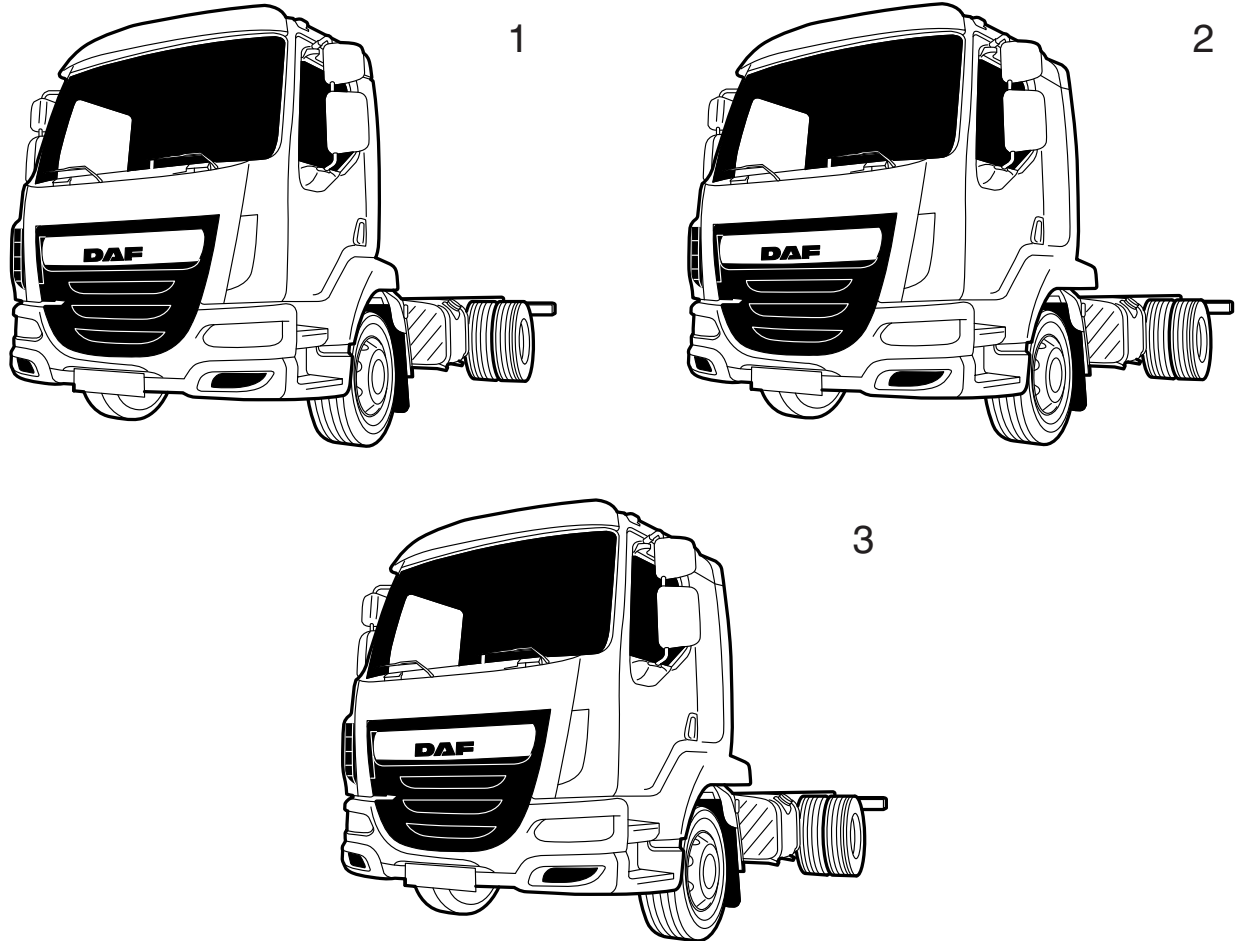
EMERGENCY RESPONSE GUIDE

Stabilising the vehicle

1

3. RELEASING A TRAPPED DRIVER

3.1 CABIN TYPES



- 1 Day Cab
- 2 Extended Day Cab
- 3 Sleeper Cab

G002348



NOTE: The **optional kerb view door** is only available at the co-driver site. Vehicles with the kerb view door have a sliding window which is electrically operated.

EMERGENCY RESPONSE GUIDE

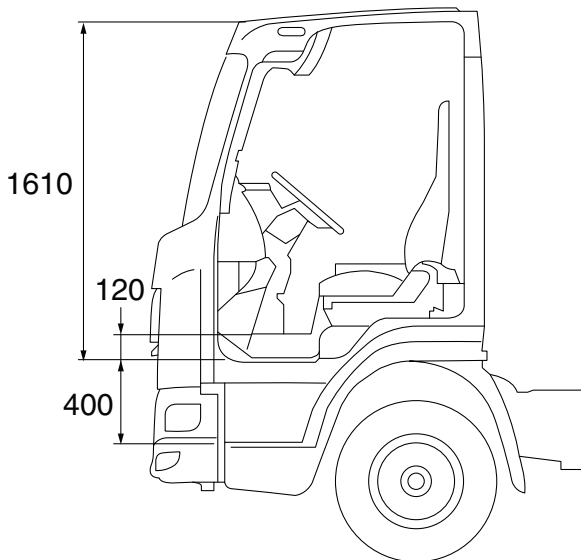
Releasing a trapped driver

3.2 CABIN DIMENSIONS

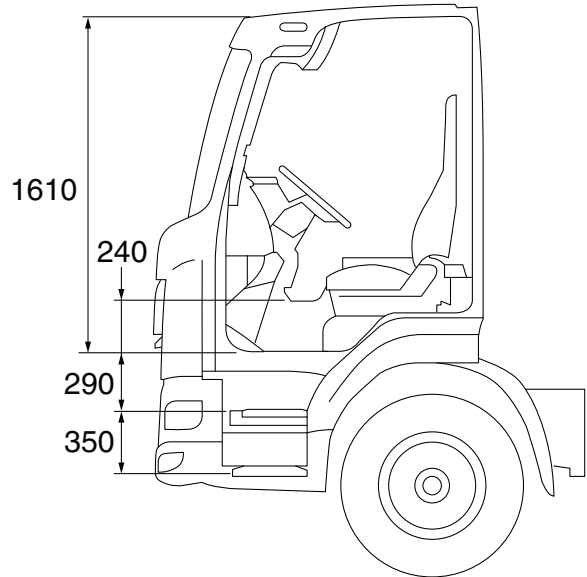
The external dimensions from the ground vary depending on the tyre size, choice of suspension, load and settings.

1

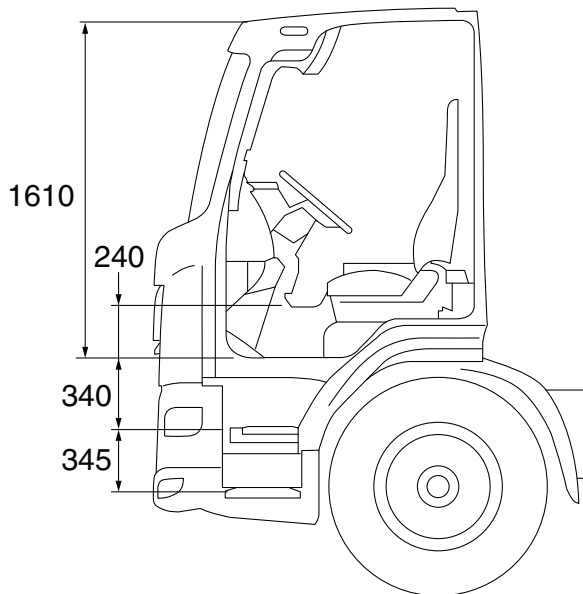
Day Cab



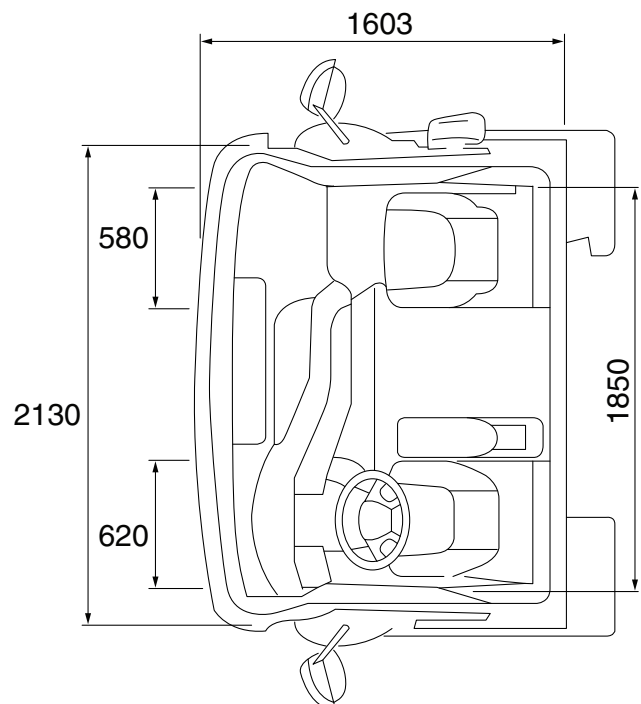
8-12t



14-16t



19t



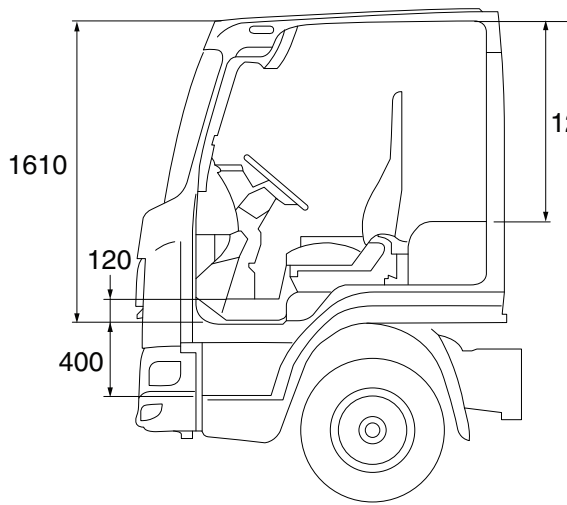
8-12t

G002442

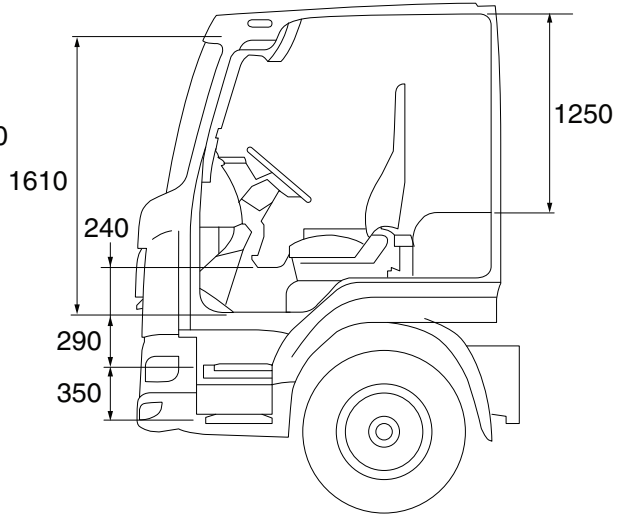
EMERGENCY RESPONSE GUIDE

Releasing a trapped driver

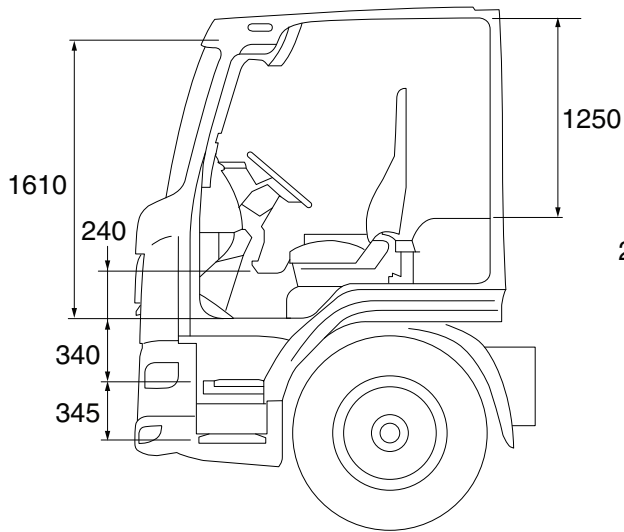
Extended Day Cab



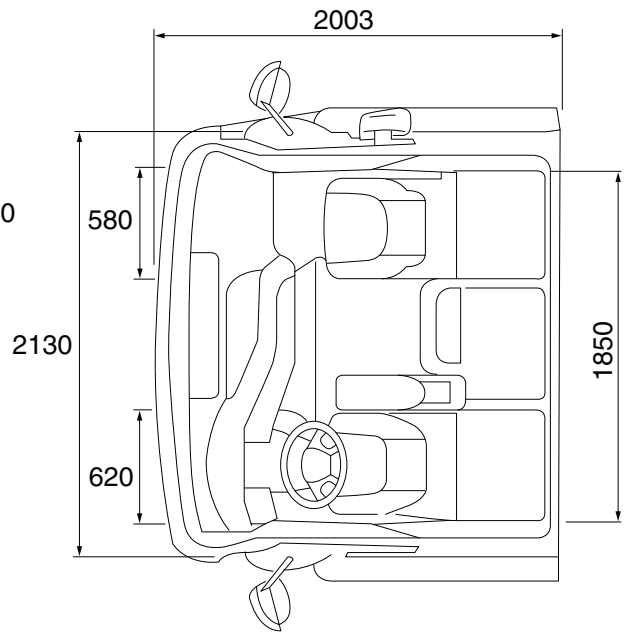
8-12t



14-16t



19t



14-16t

G002445

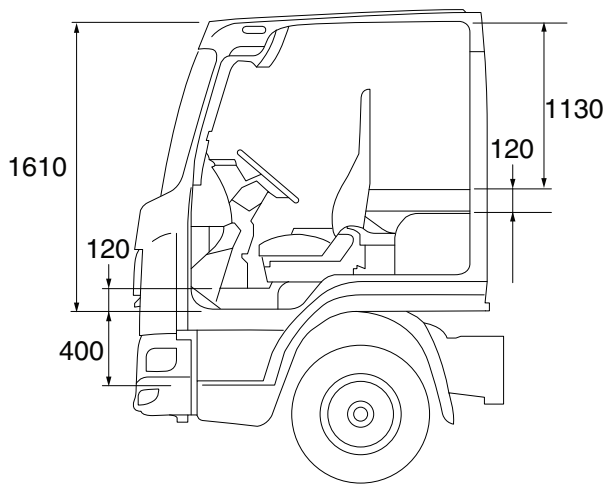
1

EMERGENCY RESPONSE GUIDE

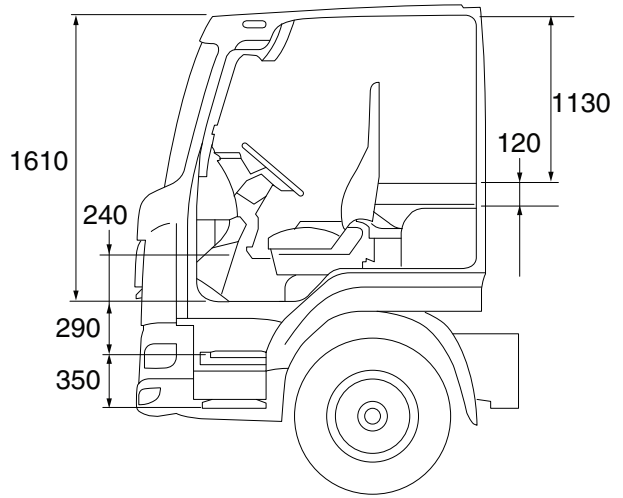
Releasing a trapped driver

Sleeper Cab

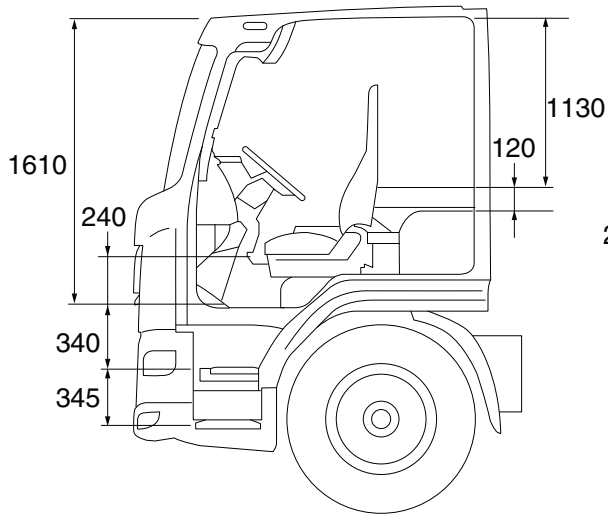
1



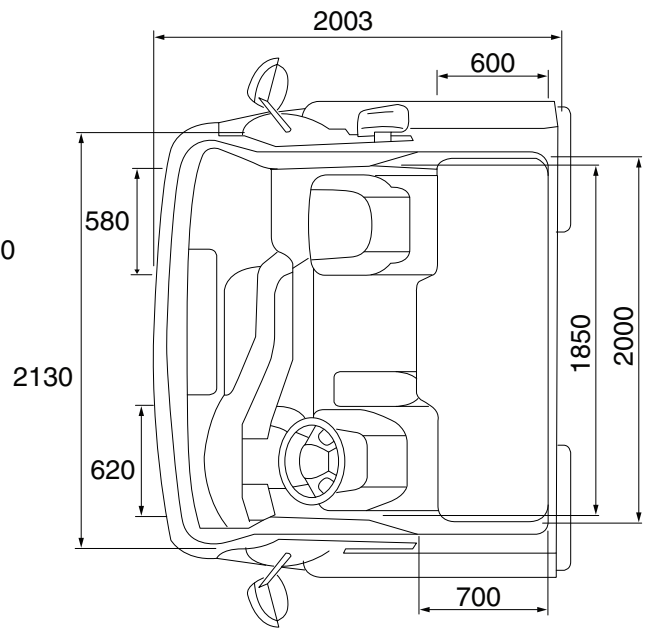
8-12t



14-16t



19t



19t

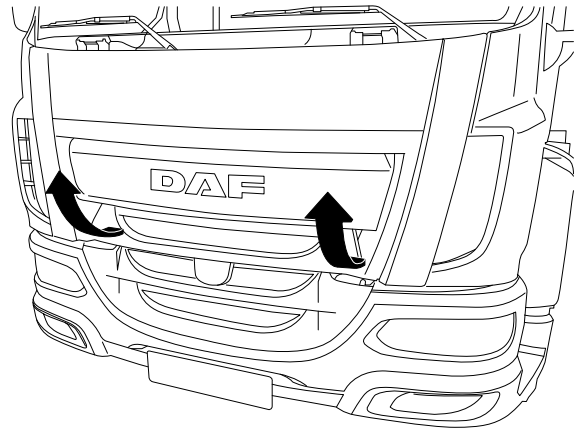
G002446

3.3 OPENING THE GRILLE

1. Open the front panel by gripping it at the bottom and lifting it up.



NOTE: The front panel tilts upwards and is held in position by two gas struts.



G002349-2

1

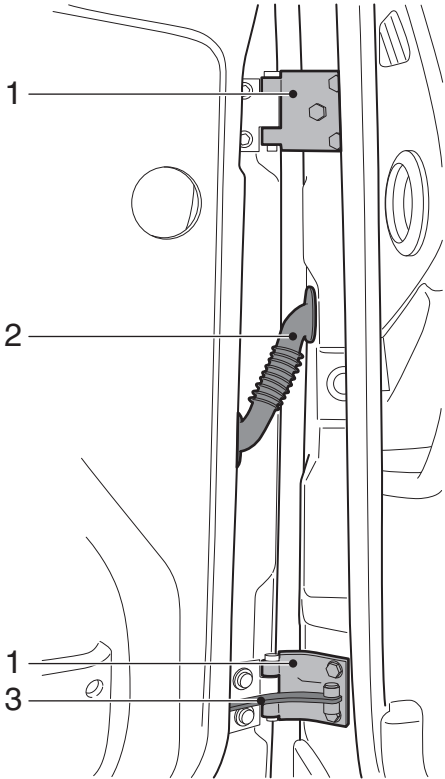
EMERGENCY RESPONSE GUIDE

Releasing a trapped driver

3.4 DOORS

- 1 Hinge
- 2 Wiring harness
- 3 Door check

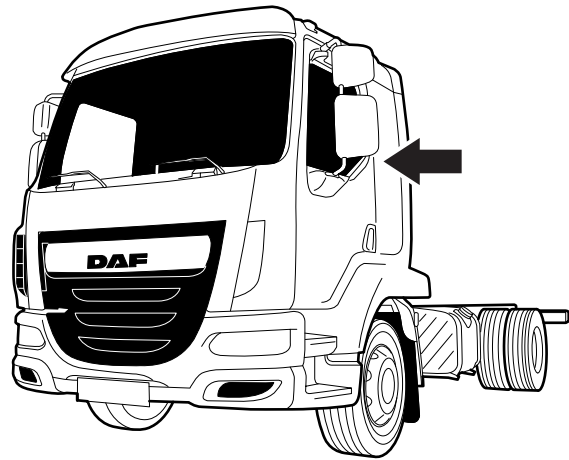
1



G001310

3.5 DOOR LOCK

The door lock is installed higher than the door handle. The position is indicated in the image.



G002350

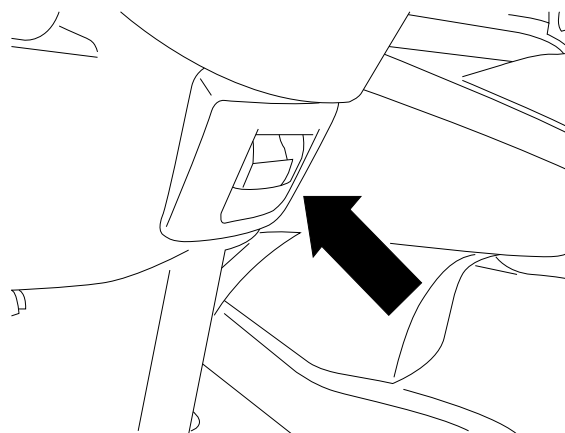
1

EMERGENCY RESPONSE GUIDE

Releasing a trapped driver

3.6 MECHANICAL STEERING WHEEL ADJUSTMENT

To adjust, pull the handle towards you and simultaneously move the steering column to the desired position. The steering column is locked by releasing the handle.



G002351

1

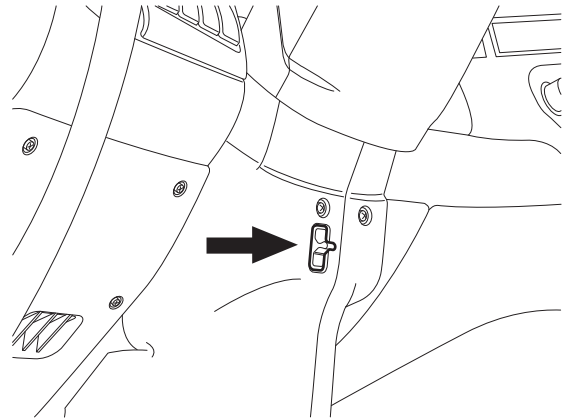
3.7 STEERING WHEEL ADJUSTMENT



NOTE: The steering wheel can be adjusted if the vehicle air pressure (circuit 4) is at least 7 bar.



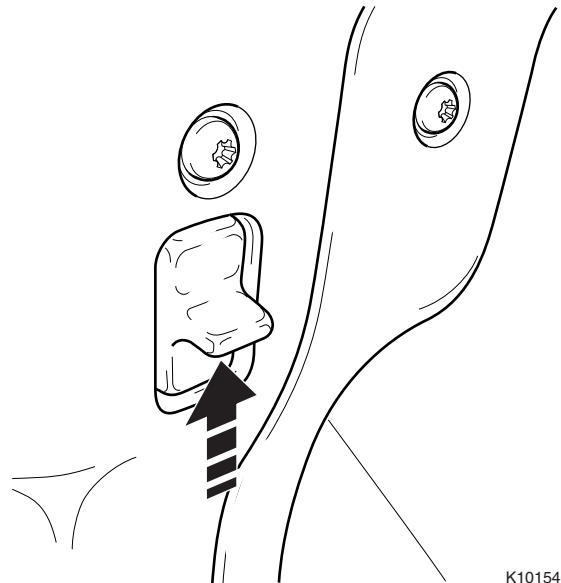
WARNING! *When the air hoses for the cabin suspension are cut, the air supply for steering wheel adjustment is also taken away.*



G001293

Adjusting

Push up the two-position switch. The steering column is temporarily unlocked. The height and angle of the steering wheel can now be adjusted.



K101546

Locking

Push down the two-position switch. The steering column is locked.



NOTE: A slight hissing noise, caused by the two-position switch, is audible while the steering wheel is being adjusted. If the steering column has not been locked, this switch locks it automatically after 20 - 30 seconds.

EMERGENCY RESPONSE GUIDE

Releasing a trapped driver

1

4. TOWING INFORMATION

4.1 REMOVING THE PROP SHAFT

- Make sure that the park brake is engaged.
- Loosen the prop shaft bolts at the rear axle side, do not remove them.



NOTE: If by accident the prop shaft drops to the floor during towing it is dragged a long. In the other situation dropping of the prop shaft seriously damages both vehicle, road and possibly surroundings.

- Loosen the bearing.
- Hold the shaft while removing the bolts.
- Fix the bearings to the shaft.
- Fasten the shaft to the chassis.
- Cover the prop shaft joint with a plastic bag.

EMERGENCY RESPONSE GUIDE

Towing information

4.2 RELEASING THE PARKING BRAKE



WARNING!

- **Never release the park brake on an incline without precautionary measures.**

Releasing the park brake on an incline causes the vehicle to move unintentionally. This can lead to serious injury and damage to the vehicle.

1. Place wheel chocks in front of and behind the wheels.



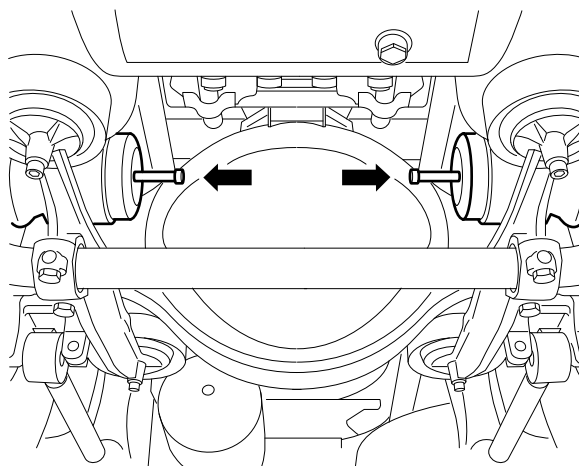
NOTE: It is **not** permitted to use a socket wrench to loosen the releasing bolt.

2. Turn the releasing bolt anti-clockwise as far as the stop using a ring spanner.
3. Carry out this operation for each spring brake cylinder.



NOTE: Place a no brakes warning label on the steering wheel.

4. Bring the park brake back in operating order by turning the releasing bolts clockwise as far as possible and tightening them to a torque of 45 Nm (75 Nm for the releasing bolt with control pin). The pressure in the spring brake cylinder circuit must be at least 6.5 bar.



R601642

4.3 TOWING

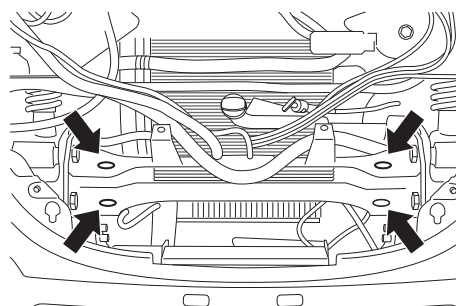
It is possible to install a towing eye behind the grille.

Always use a towing bar when towing. Deviation from this rule is only allowed in emergencies.

When towing, the fault messages may appear in the master display when the ignition is switched on.



NOTE: The maximum permissible vehicle speed, weight and distance vary per country.



K103829

Tractors may be fitted with a small towing hook at the rear end of the chassis. Use this towing hook only for light shunting work.

Being towed by another vehicle



WARNING! Towing a fully loaded vehicle or a vehicle with trailer attached can result in unstable vehicle behaviour during critical driving situations applying to the towing and/or towed vehicle. This can lead to very dangerous situations. High forces and tensions in the chassis and drive line of the vehicles can also lead to damage to the vehicles.

- Do not tow the vehicle when fully loaded or with a trailer attached.



WARNING! The towed vehicle can be located asymmetrically (left or right) behind the tractor. Towing at an angle larger than 20° with the vehicle centreline can result in unstable vehicle behaviour for the towing and/or towed vehicle during critical driving situations. This can lead to very dangerous situations. High forces and tensions in the chassis and drive line of the vehicles can also lead to damage to the vehicles.

- Towing may not take place at an angle larger than 20° with the vehicle centreline.

EMERGENCY RESPONSE GUIDE

Towing information



WARNING! When the engine is not running during towing and no additional measures are taken, there is no power steering and no air is supplied to the braking system. This results in difficult steering and increased brake pedal force and ultimately leads to automatic engagement of the parking brake. This can lead to very dangerous situations.

- **Short distance towing:** Release the parking brake, see 'Releasing the parking brake' and adapt the driving style of the towing combination.
 - **Long distance towing:** Use a recovery vehicle.
-
- To clear the towing eyes, remove the black grid from the lower grille by turning the attachment screws a quarter turn.
 - Always fix the tow rod with its original attachment pin (part of the vehicle tool kit) in the towing eyes.
 - Turn the ignition key so that the steering wheel is released (unless the vehicle is in a hoist, see below).
 - If there is insufficient pressure in the air reservoirs, release the parking brake. See section 'Releasing the parking brake'.
 - To prevent damage to the gearbox, always **disconnect the propeller shaft** from the differential.

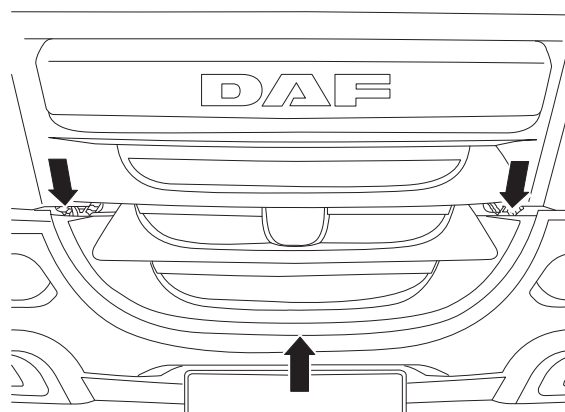


CAUTION: If the propeller shaft remains connected during towing, the gearbox may be seriously damaged.

- **Always disconnect the propeller when the vehicle is being towed.**

If the differential is damaged:

- Hoist the vehicle at the rear and **lock the steering wheel in the straight-ahead position.**



G002351

Long-distance towing

If the vehicle must be moved over a larger distance, this must be done by a recovery vehicle that lifts the vehicle to be towed under its front axle. Do not run the engine because of the risk of engine lubrication failure.

Tow starting

If the vehicle must be towed to start the engine, the ignition key must first be turned clockwise to position D, ignition on.



NOTE: Vehicles with an AS Tronic Lite gearbox or automatic gearbox cannot be towed to start the engine.

EMERGENCY RESPONSE GUIDE

Towing information

1

5. LIFTING INFORMATION

5.1 LIFTING AT THE FRONT OR BACK

The truck can be lifted under the axles, frame structure or wheel stations.

1

EMERGENCY RESPONSE GUIDE

Lifting information

5.2 JACKING UP MECHANICALLY SPRUNG FRONT AXLES

Place the jack under the special shock absorber bracket.

1



CAUTION: *Do not jack up under the protection bar at the front of the vehicle. This is a protection bar made of sheet metal. If you jack up the vehicle under the protection bar it collapses.*

5.3 JACK UP AT THE BACK

Place the jack under the jacking point at the bottom of the spring bracket.

1

EMERGENCY RESPONSE GUIDE

Lifting information

1

